

CURRENT TRANSFORMERS



 **Lovato**
electric

ENERGY AND AUTOMATION

Solid-core



DM0T...



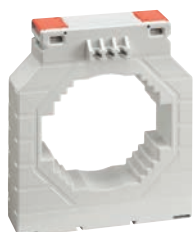
DM2T...



DM3T...



DM35T...



DM4T...

new

Order code	Primary current I _{pn}	Burden		Qty per pkg. n°	Weight [kg]
		cl. 1 [VA]	cl. 3 [VA]		
For Ø22mm/0.87" cable.					
DM0T 0040	40	—	1.25	1	0.200
DM0T 0050	50	1.25	—	1	0.200
DM0T 0060	60	1.5	—	1	0.200
DM0T 0080	80	1.5	—	1	0.200
DM0T 0100	100	1.5	—	1	0.200
DM0T 0150	150	2	—	1	0.200

Order code	Primary current I _{pn}	Burden		Qty per pkg. n°	Weight [kg]
		cl. 0.5 [VA]	cl. 1 [VA]		
For Ø23mm/0.90" cable. For 30x10mm/1.18x0.39", 25x12.5mm/0.98x0.49", 20x15mm/0.79x0.59" busbars.					
DM2T 0100	100	—	1	1	0.130
DM2T 0150	150	—	1.5	1	0.130
DM2T 0200	200	—	2	1	0.130
DM2T 0250	250	—	2.5	1	0.130
DM2T 0300	300	1.5	3	1	0.130
DM2T 0400	400	2	3	1	0.130

Order code	Primary current I _{pn}	Burden		Qty per pkg. n°	Weight [kg]
		cl. 0.5 [VA]	cl. 1 [VA]		
For Ø30mm/1.18" cable. For 40x10mm/1.57x0.39", 30x20mm/1.18x0.79", 25x25mm/0.98x0.98" busbars.					
DM3T 0200	200	—	5	1	0.260
DM3T 0250	250	—	5	1	0.260
DM3T 0300	300	2.5	5	1	0.260
DM3T 0400	400	2.5	5	1	0.260
DM3T 0500	500	2.5	5	1	0.260
DM3T 0600	600	5	10	1	0.260
DM3T 0800	800	5	10	1	0.260

Order code	Primary current I _{pn}	Burden		Qty per pkg. n°	Weight [kg]
		cl. 0.5 [VA]	cl. 1 [VA]		
For Ø66mm/2.60" cable. For 80x12.5mm/3.15"x0.49", 60x30mm/2.36x1.18", 50x50mm/1.97x1.97" busbars.					
DM35T 0800	800	10	15	1	0.460
DM35T 1000	1000	15	20	1	0.460
DM35T 1250	1250	15	20	1	0.460

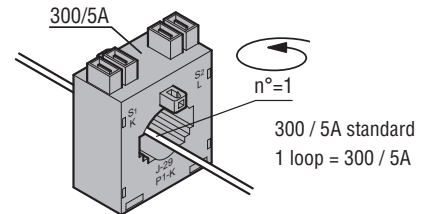
Order code	Primary current I _{pn}	Burden		Qty per pkg. n°	Weight [kg]
		cl. 0.5 [VA]	cl. 1 [VA]		
For Ø86mm/3.38" cable. For 100x30mm/3.94x1.18", 80x50mm/3.15x1.97", 70x60mm/2.75x2.36" busbars.					
DM4T 1000	1000	10	20	1	0.700
DM4T 1250	1250	15	30	1	0.760
DM4T 1500	1500	20	30	1	0.760
DM4T 1600	1600	20	30	1	0.800
DM4T 2000	2000	30	45	1	0.840
DM4T 2500	2500	35	45	1	0.900
DM4T 3000	3000	45	45	1	0.900
DM4T 3500	3500	50	50	1	0.900
DM4T 4000	4000	50	50	1	0.900

General characteristics

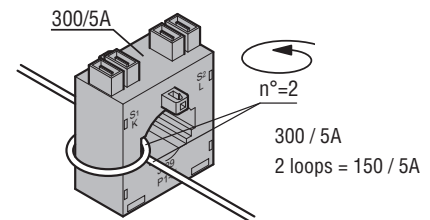
The current transformers (CTs) in the DM series are installed in an electrical system to reduce the line current to a secondary value of 5A compatible with the ammeter inputs of the digital multimeters or protection relays.

DM... are instrument transformers in class 3/1/0.5 without a primary winding and are normally used for high primary current values starting from 50A.

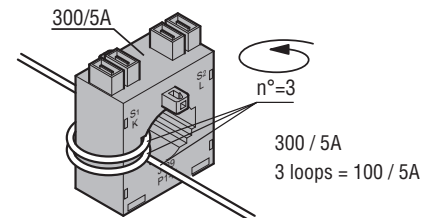
The number of loops of the primary cable does not modify the accuracy but converts the primary current value proportional to secondary current.



300:n/5A
300:1/5A=300/5A



300:n/5A
300:2/5A=150/5A



300:n/5A
300:3/5A=100/5A

Operational characteristics

- Operating frequency: 50-60Hz
- Secondary output current: 5A
- Overload withstand: 120% I_{pn}
- IEC rated insulation voltage U_i: 720V
- IEC rated short-time thermal current I_{th}: 40-60 I_{pn} for 1 second
- IEC rated dynamic current I_{dyn}: 2.5 I_{th} for 1 second
- Insulation (dry type): Class E
- Terminals:
 - Faston for DM2T and DM3T types
 - Screw for DM0T, DM4T and DM35T types
- Sealable terminal covers for DM4T and DM35T types
- Fixing on 35mm DIN rail (IEC/EN 60715) or by screws (fixing elements standard supplied with the product)
- EN degree of protection: IP30
- Ambient conditions:
 - Operating temperature: -25...+50°C
 - Storage temperature: -40...+80°C
 - Relative humidity, non condensing: 90%.

Certifications and compliance

Certifications obtained: EAC.

Compliant with standards: IEC/EN 61869-2, IEC/EN 61869-1.

Accuracy solid-core



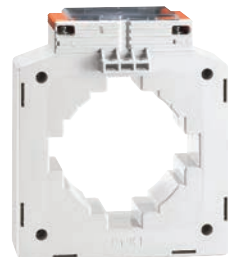
DM1TP...



DM3TP...



DM4TP...



DM5TP...

Order code	Primary current I _{pn}	Burden		Qty per pkg.	Weight [kg]
		cl. 0.5s [VA]	cl. 0.5 [VA]		

For Ø28mm/1.10" cable.
For 30x10mm/1.18x0.39", 25x12.5mm/0.98x0.49", 20x20mm/0.79x0.79" busbar.

DM1TP 0060	60	1.5	1.5	1	0.560
DM1TP 0080	80	2.5	2.5	1	0.580
DM1TP 0100	100	2.5	3.75	1	0.480
DM1TP 0150	150	2.5	3.75	1	0.480
DM1TP 0200	200	2.5	3.75	1	0.480
DM1TP 0250	250	2.5	5	1	0.480
DM1TP 0300	300	2.5	5	1	0.480
DM1TP 0400	400	5	5	1	0.480
DM1TP 0500	500	5	5	1	0.480

For Ø28mm/1.10" cable.
For 30x10mm/1.18x0.39", 25x20mm/0.98x0.79", 20x20mm/0.79x0.79" busbar.

new

DM1TP 0600	600	5	5	1	0.480
------------	-----	---	---	---	-------

For Ø52mm/2.04" cable.
For 60x20mm/2.36x0.79", 50x25mm/1.97x0.98" busbar.

DM3TP 0500	500	3.75	5	1	0.700
DM3TP 0600	600	5	10	1	0.700
DM3TP 0800	800	5	10	1	0.700
DM3TP 1000	1000	5	10	1	0.700

new

For Ø80mm/3.15" cable.
For 82x30mm/3.23x1.18" busbar.

DM4TP 1200	1200	-	10	1	0.800
------------	------	---	----	---	-------

For Ø85.5mm/3.37" cable.
For 100x20mm/3.94x0.79", 80x45mm/3.15x1.77" busbar.

DM5TP 1000	1000	5	10	1	0.900
DM5TP 1250	1250	7.5	10	1	0.900
DM5TP 1600	1600	7.5	10	1	0.900
DM5TP 2000	2000	10	15	1	0.900
DM5TP 2500	2500	10	15	1	0.900
DM5TP 3000	3000	10	15	1	0.900

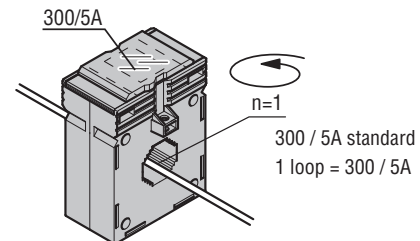
❶ Consult Technical support to inquiry about versions with Italian UTF certificates.

General characteristics

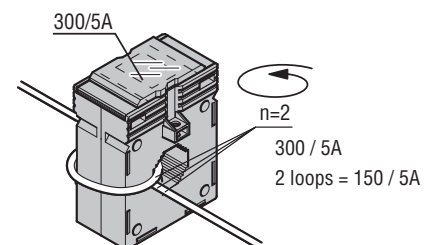
The DM...TP type accuracy current transformers (CTs) are installed in an electrical system to reduce the line current to a secondary value of 5A compatible with the ammeter inputs of the digital multimeters or protection relays.

DM...TP are accuracy current transformers in class 0.5s without a primary winding and are normally used for high primary current values starting from 60A.

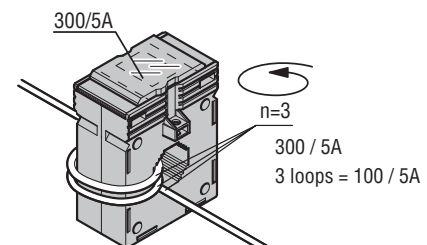
The number of loops of the primary cable does not modify the accuracy but converts the primary current value proportional to secondary current.



300:n/5A
300:1/5A=300/5A



300:n/5A
300:3/5A=100/5A



300:n/5A
300:3/5A=100/5A

Operational characteristics

- Operating frequency: 50-60Hz
- Secondary output current: 5A
- Overload withstand: 120% I_{pn}
- IEC rated insulation voltage U_i: 720V
- IEC rated short-time thermal current I_{th}: 40-60 I_{pn} for 1 second
- IEC rated dynamic current I_{dyn}: 2.5 I_{th} for 1 second
- Insulation (dry type): Class E
- Screw terminals
- Sealable terminal covers
- Fixing on 35mm DIN rail (IEC/EN 60715) or by screws (fixing elements standard supplied with the product)
- EN degree of protection: IP30
- Ambient conditions:
 - Operating temperature: -25...+50°C
 - Storage temperature: -40...+80°C
 - Relative humidity, non condensing: 90%.

Certifications and compliance

Certifications obtained: EAC.

Compliant with standards: IEC/EN 61869-2, IEC/EN 61869-1.

Compact prewired split-core



DM1TMA...



DM2TMA...

new

Order code	Primary current I _{pn}	Burden		Qty per pkg.	Weight [kg]
		cl. 0.5 [VA]	cl. 1 [VA]		
	/5 [A]	[VA]	[VA]	n°	[kg]
24x24mm/0.94x0.94" hole. Cable supplied as standard, length 2m.					
DM1TMA 0100	100	—	1.0	1	0.200
DM1TMA 0150	150	—	1.0	1	0.200
DM1TMA 0200	200	—	1.0	1	0.200
DM1TMA 0250	250	—	1.0	1	0.200
36x38mm/1.42x1.50" hole. Cable supplied as standard, length 2m.					
DM2TMA 0250	250	0.5	1.5	1	0.380
DM2TMA 0300	300	0.5	1.5	1	0.380
DM2TMA 0400	400	0.5	1.5	1	0.380
DM2TMA 0500	500	0.5	1.5	1	0.380
DM2TMA 0600	600	0.5	1.5	1	0.380

General characteristics

The DM...TMA type current transformers (CTs) are installed in an electrical system to reduce the line current to a secondary value of 5A compatible with the ammeter inputs of the digital multimeters or protection relays.

DM...TMA are instrument transformers in class 1 without a primary winding and are normally used for high primary current values starting from 100A.

Operational characteristics

- Operating frequency: 50-60Hz
- Secondary output current: 5A
- Overload withstand: 120% I_{pn}
- IEC rated insulation voltage U_i: 720V
- IEC rated short-time thermal current I_{th}: 40-60 I_{pn} for 1 second
- IEC rated dynamic current I_{dyn}: 2.5 I_{th} for 1 second
- Cable supplied as standard, length 2m.
- Insulation (dry type): Class E
- Ambient conditions:
 - Operating temperature: -25...+50°C
 - Storage temperature: -40...+80°C
 - Relative humidity, non condensing: 90%.

Certifications and compliance

Certifications obtained: EAC.

Compliant with standards: IEC/EN 61869-2, IEC/EN 61869-1.

Split-core



DM1TA...



DM2TA...



DM3TA...



DM4TA...

new

new

Order code	Primary current I _{pn}	Burden		Qty per pkg.	Weight [kg]
		cl. 0.5 [VA]	cl. 1 [VA]		
	/5 [A]	[VA]	[VA]	n°	[kg]
50x80mm/1.97x3.15" hole.					
DM1TA 0250	250	1	2	1	0.900
DM1TA 0300	300	1.5	3	1	0.900
DM1TA 0400	400	1.5	3	1	0.900
DM1TA 0500	500	2.5	5	1	0.900
DM1TA 0600	600	2.5	5	1	0.900
DM1TA 0800	800	3	7.5	1	0.900
DM1TA 1000	1000	5	10	1	0.900
80x80mm/3.15x3.15" hole.					
DM2TA 0250	250	1	2	1	1.050
DM2TA 0300	300	1.5	3	1	1.050
DM2TA 0400	400	1.5	3	1	1.050
DM2TA 0500	500	2.5	5	1	1.050
DM2TA 0600	600	2.5	5	1	1.050
DM2TA 0800	800	3	7.5	1	1.050
DM2TA 1000	1000	5	10	1	1.050
DM2TA 1250	1250	7.5	15	1	1.050
80x120mm/3.15x4.72" hole.					
DM3TA 0500	500	—	4	1	1.250
DM3TA 0600	600	—	5	1	1.250
DM3TA 0800	800	3	7.5	1	1.250
DM3TA 1000	1000	5	10	1	1.250
DM3TA 1250	1250	7.5	15	1	1.250
DM3TA 1500	1500	8	17	1	1.250
DM3TA 2000	2000	8	17	1	1.250
80x160mm/3.15x6.30" hole.					
DM4TA 2000	2000	15	20	1	3.160
DM4TA 2500	2500	15	20	1	3.340
DM4TA 3000	3000	20	25	1	3.500
DM4TA 4000	4000	20	25	1	3.760

General characteristics

The DM...TA type current transformers (CTs) are installed in an electrical system to reduce the line current to a secondary value of 5A compatible with the ammeter inputs of the digital multimeters or protection relays.

DM...TA are instrument transformers in class 0.5/1 without a primary winding and are normally used for high primary current values starting from 250A.

Operational characteristics

- Operating frequency: 50-60Hz
- Secondary output current: 5A
- Overload withstand: 120% I_{pn}
- IEC rated insulation voltage U_i: 720V
- IEC rated short-time thermal current I_{th}: 40-60 I_{pn} for 1 second
- IEC rated dynamic current I_{dyn}: 2.5 I_{th} for 1 second
- Insulation (dry type): Class E
- Screw terminals
- Sealable terminal covers
- Screw fixing (fixing elements standard supplied with the product)
- IEC degree of protection: IP30
- Ambient conditions:
 - Operating temperature: -25...+50°C
 - Storage temperature: -40...+80°C.
 - Relative humidity, non condensing: 90%.

Certifications and compliance

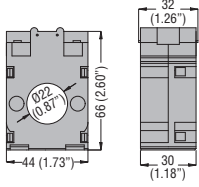
Certifications obtained: EAC.

Compliant with standards: IEC/EN 61869-2, IEC/EN 61869-1.

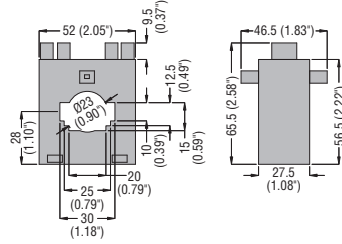
Current transformers

Dimensions [mm (in)]

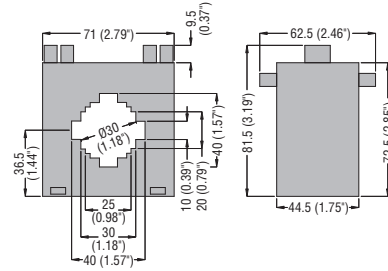
Solid core DM0T...



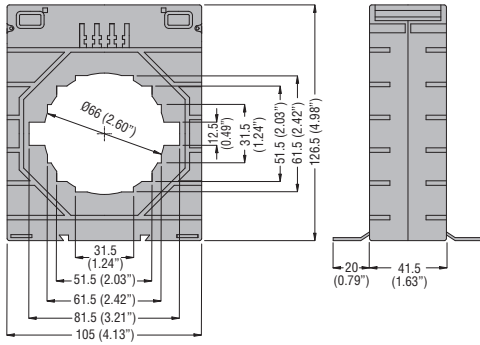
DM2T...



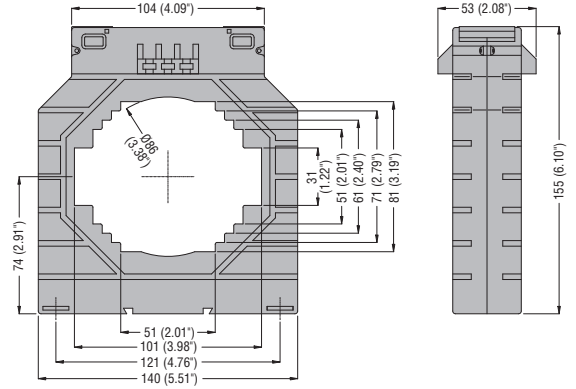
DM3T...



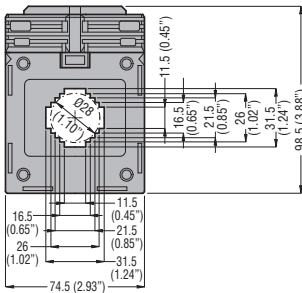
DM35T...



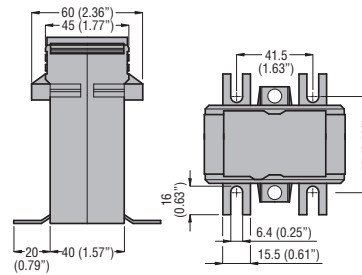
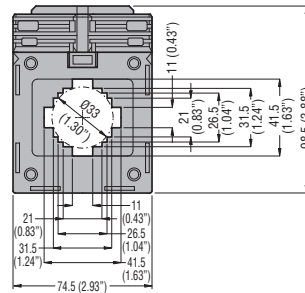
DM4T...



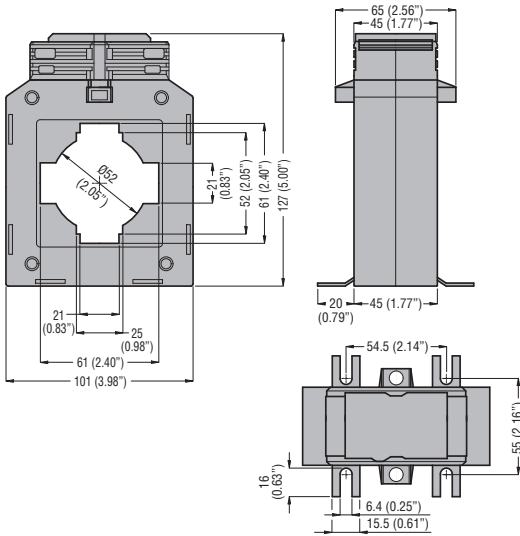
DM1TP 0060... - DM1TP 0300



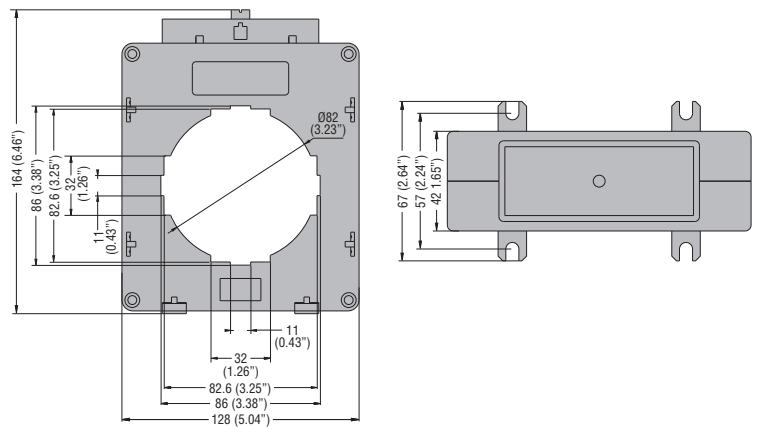
DM1TP 0400... - DM1TP 0600



DM3TP...



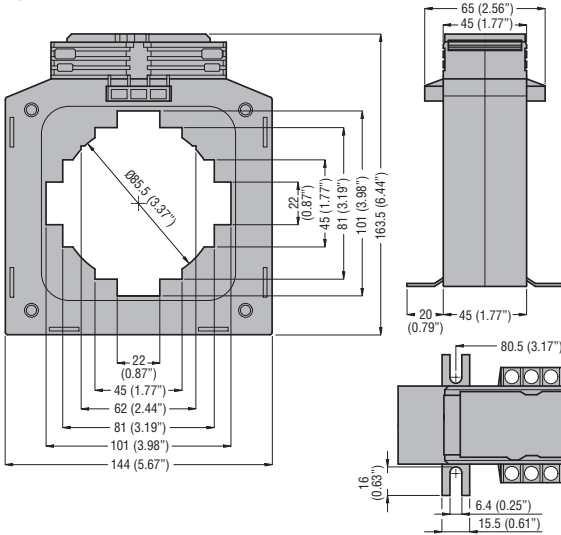
DM4TP 1200



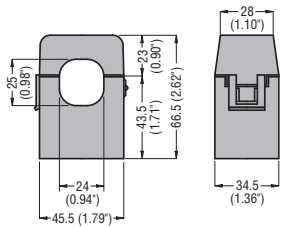
Current transformers

Dimensions [mm (in)]

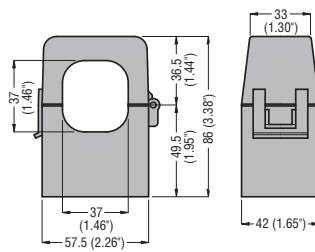
DM5TP...



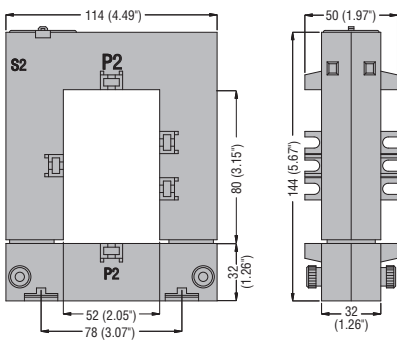
Compact prewired split-core DM1TMA...



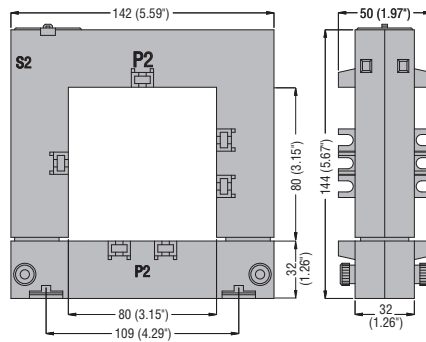
DM2TMA...



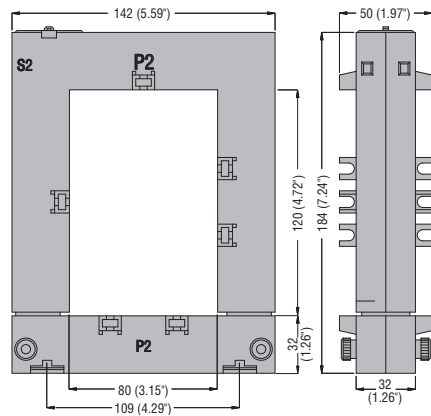
Split-core DM1TA...



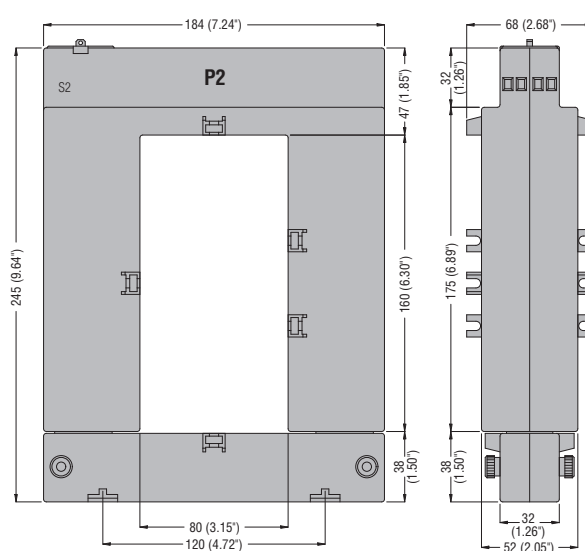
DM2TA...



DM3TA...



DM4TA...



■ CURRENT TRANSFORMERS



ENERGY AND AUTOMATION

www.LovatoElectric.com

LOVATO ELECTRIC S.P. A.

via Don E. Mazza, 12
24020 Gorle (Bergamo), ITALY

tel 035 4282111
info@LovatoElectric.com



Follow us

The products described in this publication are subject to be revised or improved at any moment. Catalogue descriptions and details, such as technical and operational data, drawings, diagrams and instructions, etc., do not have any contractual value. In addition, products should be installed and used by qualified personnel and in compliance with the regulations in force for electrical systems in order to avoid damages and safety hazards.