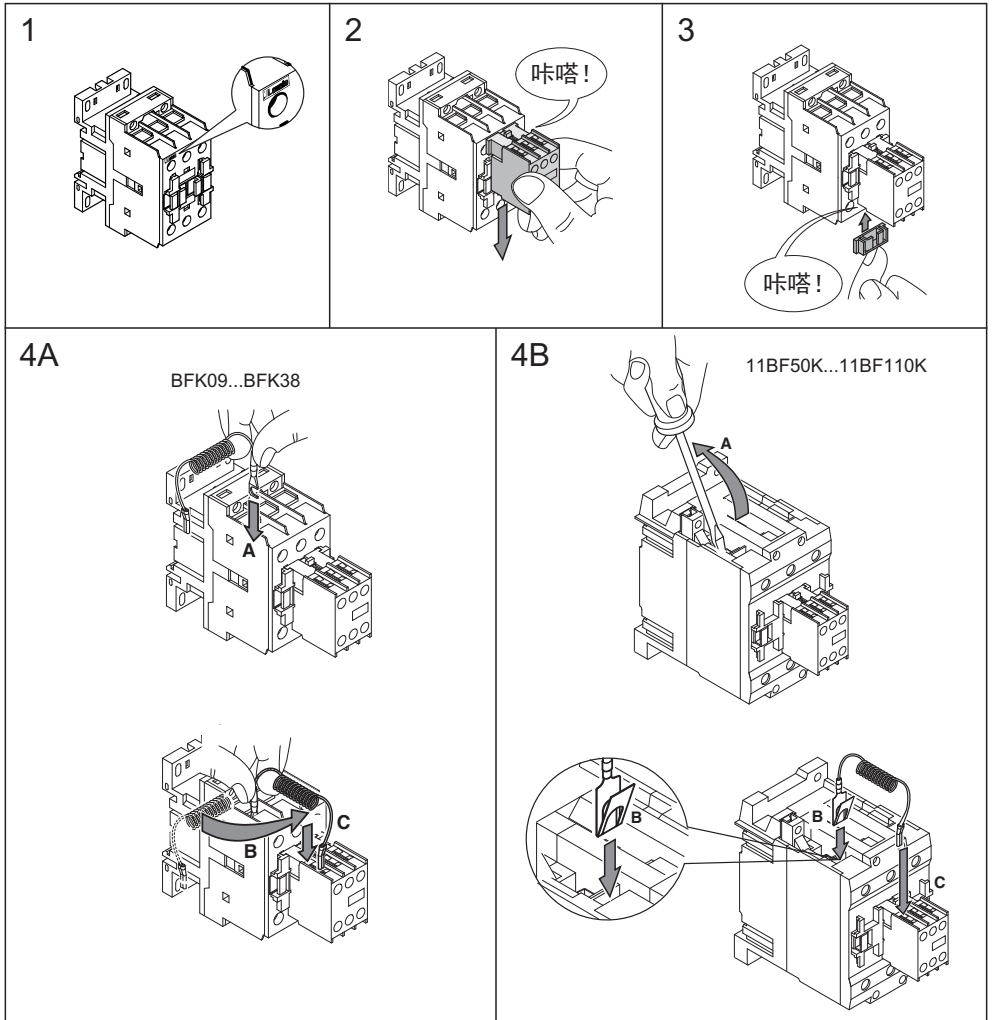


BFK接触器装配指导书 (变更套件11G460-11G464)

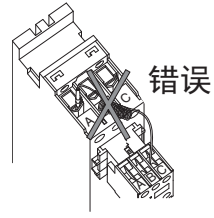
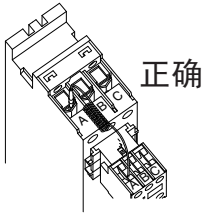


11 G460 + BF0910A = BFK09
11 G460 + BF1210A = BFK12
11 G460 + BF1810A = BFK18
11 G460 + BF2610A = BFK26
11 G460 + BF32A = BFK32
11 G460 + BF38A = BFK38

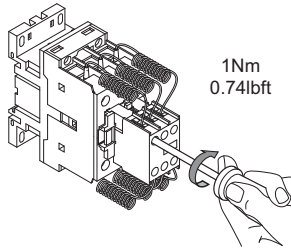
11 G464 + 11 BF50 = 11 BF50K
11 G464 + 11 BF65 = 11 BF65K
11 G464 + 11 BF80 = 11 BF80K
11 G464 + 11 BF110 = 11 BF110K



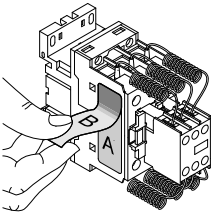
5



6



8



A	→	B
BF09A	→	BFK09A
BF12A	→	BFK12A
BF18A	→	BFK18A
BF26A	→	BFK26A
BF32A	→	BFK32A
BF38A	→	BFK38A
11BF50	→	11BF50K
11BF65	→	11BF65K
11BF80	→	11BF80K
11BF110	→	11 BF110K

9

