

DIGITAL MULTIMETERS DMG500-510

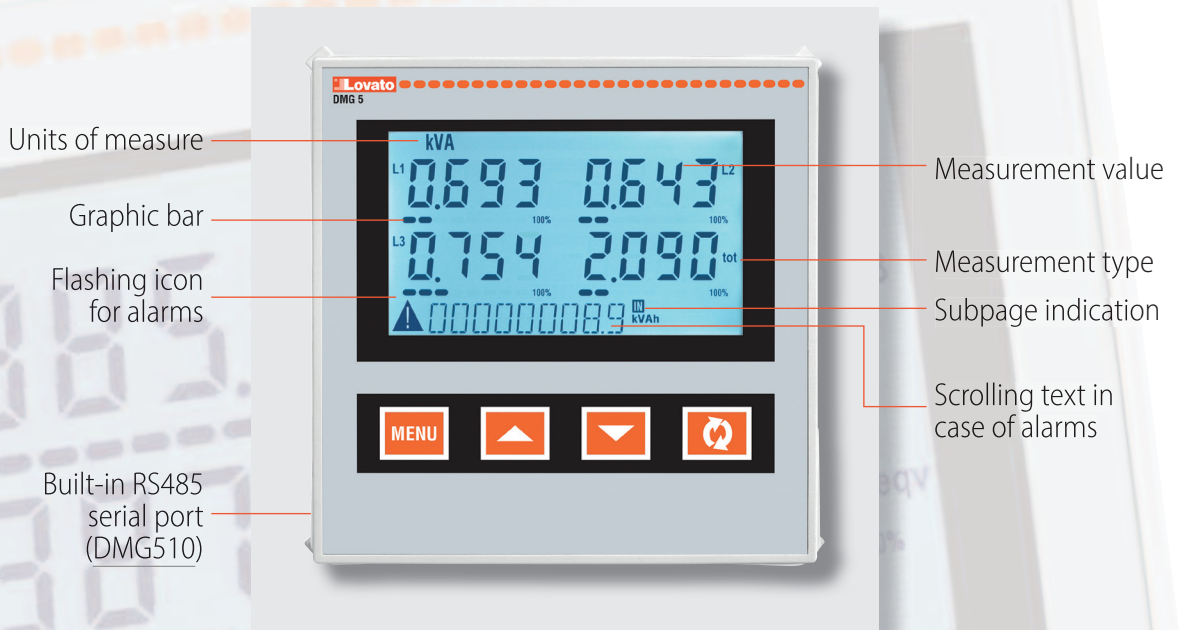


 **Lovato**
electric

ENERGY AND AUTOMATION

DIGITAL MULTIMETERS DMG5...

DMG5... digital multimeters are capable of viewing the measurements with high accuracy on the wide graphic LCD, which allow to control energy distribution networks. They are available with a flush-mount housing 96x96mm.



LCD DISPLAY

Scrolling text with 4 characters to show:

- alarm messages configured by the user
- guide messages for the user
- description of the setup menu and parameters.

The text is available in 6 languages: english, italian, french, spanish, portuguese and german.

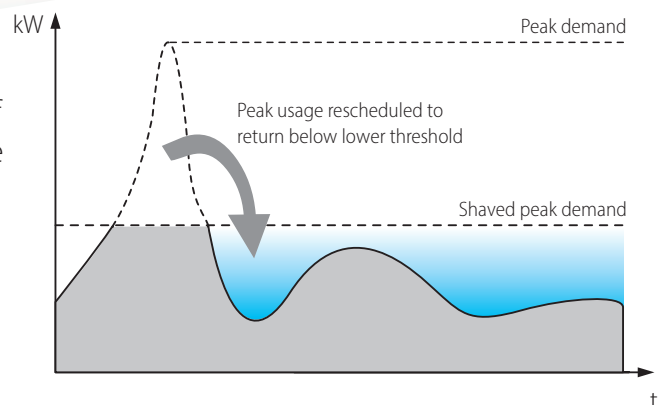


LIMITS, ALARMS AND NOTIFICATIONS

On all available measurements, the user can set up to 4 independent thresholds to generate alarms in excess of the set values. When an alarm occurs, an icon and a descriptive text appear on any page of the meter. Setting a parameter, the user can activate the flashing of the display backlight in case of alarm.

MANAGEMENT OF "MAXIMUM DEMAND"

DMG5... include features which allow the control of demand limits, in order to notify the user about the need to reduce the loads.



DIGITAL MULTIMETERS DMG5...



CODE	DESCRIPTION
DMG500	Backlight icon 72x46mm LCD, auxiliary supply 100...240VAC/110...250VDC, multilanguage ①
DMG510	Backlight icon 72x46mm LCD, harmonic analysis, auxiliary supply 100...240VAC/110...250VDC, built-in RS485 serial port, multilanguage ①

① english, italian, french, spanish, portuguese, german.

MEASUREMENTS

- voltage: phase, line and system values
- current: phase values (neutral current calculated)
- power: apparent, active and reactive phase and total values
- P.F.: Power Factor per phase and total
- frequency of measured voltage value
HIGH-LOW-AVERAGE value functions for all measurements
- maximum demand of power and current values
- voltage and current asymmetry
- total harmonic distortion (THD): voltage and current
- harmonic analysis of voltage and current up to the 15° order (DMG510)
- energy meters for active, reactive, apparent partial and total values
- hour counter for programmable total and partial hours.

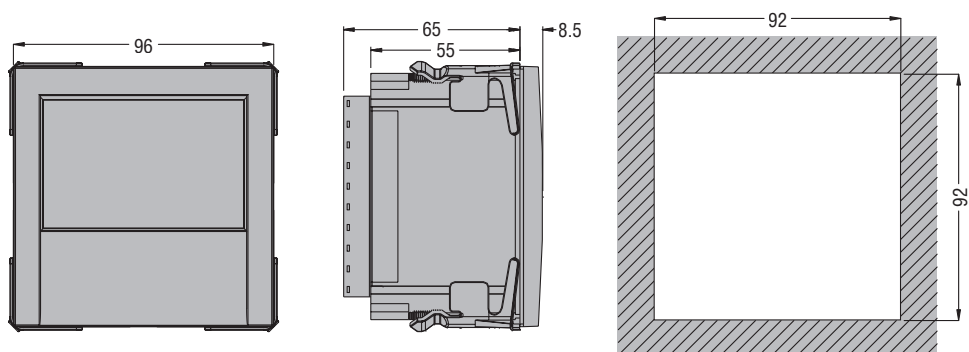
OPERATIONAL CHARACTERISTICS

- auxiliary supply voltage range:
100...240VAC / 110...250VDC
- measurement voltage range: 480VAC max
- rated input current: by external CT 5A or 1A
- frequency measurement range: 45...66Hz
- measurement accuracy:
 - active energy: Class 1 (IEC/EN 62053-21)
 - reactive energy: Class 2 (IEC/EN 62053-23)
- communication protocol Modbus-RTU, ASCII
- EN degree of protection: IP40 on front.

CERTIFICATIONS AND COMPLIANCE

- Certifications obtained: EAC.
- Compliant with standards: IEC/EN 61010-1, IEC/EN 61010-2-030, IEC/EN 61000-6-2, IEC/EN 61000-6-3.

DIMENSIONS [mm]



SOFTWARE

- **Xpress** for configuration and remote control via PC;
- **Synergy** and **Synergy cloud** for supervision and energy management.



DIGITAL MULTIMETERS DMG5...



ENERGY AND AUTOMATION

www.LovatoElectric.com

LOVATO ELECTRIC S.P. A.

Via Don E. Mazza, 12
24020 Gorle (Bergamo), Italy

tel. +39 035 4282111
fax + 39 035 4282200
info@LovatoElectric.com

Follow us on



The products described in this document are subject to updates or modifications at any time. The descriptions, technical and functional information, illustrations and instructions in the leaflet are to be considered as purely illustrative, and consequently have no contractual relevance. Remember also that the products themselves must be used by qualified personnel, in compliance with current plant engineering and installation standards, in order to avoid injury to persons or damage to property.