

LOVATO ELECTRIC S.P.A.

24020 GORLE (BERGAMO) ITALIA
VIA DON E. MAZZA, 12
TEL. 035 4282111
E-mail info@LovatoElectric.com
Web www.LovatoElectric.com



GB AUTOMATIC TRANSFER SWITCH CONTROLLER

Instructions manual

ATL 600 - ATL 601 - ATL 610



WARNING!

- Carefully read the manual before the installation or use.
- This equipment is to be installed by qualified personnel, complying to current standards, to avoid damages or safety hazards.
- Before any maintenance operation on the device, remove all the voltages from measuring and supply inputs and short-circuit the CT input terminals.
- The manufacturer cannot be held responsible for electrical safety in case of improper use of the equipment.
- Products illustrated herein are subject to alteration and changes without prior notice. Technical data and descriptions in the documentation are accurate, to the best of our knowledge, but no liabilities for errors, omissions or contingencies arising there from are accepted.
- A circuit breaker must be included in the electrical installation of the building. It must be installed close by the equipment and within easy reach of the operator. It must be marked as the disconnecting device of the equipment: IEC / EN 61010-1 § 6.11.3.1.
- Clean the device with a soft dry cloth; do not use abrasives, liquid detergents or solvents.



ATTENTION !

- Lire attentivement le manuel avant toute utilisation et installation.
- Ces appareils doivent être installés par un personnel qualifié, conformément aux normes en vigueur en matière d'installations, afin d'éviter de causer des dommages à des personnes ou choses.
- Avant toute intervention sur l'instrument, mettre les entrées de mesure et d'alimentation hors tension et court-circuiter les transformateurs de courant.
- Le constructeur n'assume aucune responsabilité quant à la sécurité électrique en cas d'utilisation impropre du dispositif.
- Les produits décrits dans ce document sont susceptibles d'évoluer ou de subir des modifications à n'importe quel moment. Les descriptions et caractéristiques techniques du catalogue ne peuvent donc avoir aucune valeur contractuelle.
- Un interrupteur ou disjoncteur doit être inclus dans l'installation électrique du bâtiment. Celui-ci doit se trouver tout près de l'appareil et l'opérateur doit pouvoir y accéder facilement. Il doit être marqué comme le dispositif d'interruption de l'appareil : IEC / EN 61010-1 § 6.11.3.1.
- Nettoyer l'appareil avec un chiffon doux, ne pas utiliser de produits abrasifs, détergents liquides ou solvants.



ACHTUNG!

- Dieses Handbuch vor Gebrauch und Installation aufmerksam lesen.
- Zur Vermeidung von Personen- und Sachschäden dürfen diese Geräte nur von qualifiziertem Fachpersonal und unter Befolgung der einschlägigen Vorschriften installiert werden.
- Vor jedem Eingriff am Instrument die Spannungszufuhr zu den Messeingängen trennen und die Stromwandler kurzschließen.
- Bei zweckwidrigem Gebrauch der Vorrichtung übernimmt der Hersteller keine Haftung für die elektrische Sicherheit.
- Die in dieser Broschüre beschriebenen Produkte können jederzeit weiterentwickelt und geändert werden. Die im Katalog enthaltenen Beschreibungen und Daten sind daher unverbindlich und ohne Gewähr.
- In die elektrische Anlage des Gebäudes ist ein Ausschalter oder Trennschalter einzubauen. Dieser muss sich in unmittelbarer Nähe des Geräts befinden und vom Bediener leicht zugänglich sein. Er muss als Trennvorrichtung für das Gerät gekennzeichnet sein: IEC / EN 61010-1 § 6.11.3.1.
- Das Gerät mit einem weichen Tuch reinigen, keine Scheuermittel, Flüssigreiniger oder Lösungsmittel verwenden.



ADVERTENCIA

- Leer atentamente el manual antes de instalar y utilizar el regulador.
- Este dispositivo debe ser instalado por personal cualificado conforme a la normativa de instalación vigente a fin de evitar daños personales o materiales.
- Antes de realizar cualquier operación en el dispositivo, desconectar la corriente de las entradas de alimentación y medida, y cortocircuitar los transformadores de corriente.
- El fabricante no se responsabilizará de la seguridad eléctrica en caso de que el dispositivo no se utilice de forma adecuada.
- Los productos descritos en este documento se pueden actualizar o modificar en cualquier momento. Por consiguiente, las descripciones y los datos técnicos aquí contenidos no tienen valor contractual.
- La instalación eléctrica del edificio debe disponer de un interruptor o disyuntor. Este debe encontrarse cerca del dispositivo, en un lugar al que el usuario pueda acceder con facilidad. Además, debe llevar el mismo marcado que el interruptor del dispositivo (IEC / EN 61010-1 § 6.11.3.1).
- Limpiar el dispositivo con un trapo suave; no utilizar productos abrasivos, detergentes líquidos ni disolventes.



UPOZORNĚNÍ

- Návod se pozorně pročtěte, než začnete regulátor instalovat a používat.
- Tato zařízení smí instalovat kvalifikovaní pracovníci v souladu s platnými předpisy a normami pro předcházení úrazu osob či poškození věcí.
- Před jakýmkoli zásahem do přístroje odpojte měřicí a napájecí vstupy od napětí a zkratujte transformátory proudu.
- Výrobce nenese odpovědnost za elektrickou bezpečnost v případě nevhodného používání regulátoru.
- Výrobky popsané v tomto dokumentu mohou kdykoli projít úpravami či dalším vývojem. Popisy a údaje uvedené v katalogu nemají proto žádnou smluvní hodnotu.
- Spínač či odpojovač je nutno zabudovat do elektrického rozvodu v budově. Musejí být nainstalované v těsné blízkosti přístroje a snadno dostupné pracovníku obsluhy. Je nutno ho označit jako vypínač zařízení přístroje: IEC / EN 61010-1 § 6.11.3.1.
- Přístroj čistěte měkkou utěrkou, nepoužívejte abrazivní produkty, tekutá čistidla či rozpouštědla.



AVVERTIZARE!

- Cititi cu atenție manualul înainte de instalare sau utilizare.
- Acest echipament va fi instalat de personal calificat, în conformitate cu standardele actuale, pentru a evita deteriorări sau pericolose.
- Înainte de efectuarea oricărei operațiuni de întreținere asupra dispozitivului, îndepartați toate tensiunile de la intrările de măsurare și de alimentare și scurtcircuitați bornele de intrare CT.
- Producătorul nu poate fi considerat responsabil pentru siguranța electrică în caz de utilizare incorectă a echipamentului.
- Produsele ilustrate în prezentul sunt supuse modificărilor și schimbărilor fără notificare anterioară. Datele tehnice și descrierile din documentație sunt precise, în măsura cunoștințelor noastre, dar nu se acceptă nicio răspundere pentru erorile, omisiunile sau evenimentele neprevăzute care apar ca urmare a acestora.
- Trebuie inclus un disjuncteur în instalația electrică a clădirii. Acesta trebuie instalat aproape de echipament și într-o zonă ușor accesibilă operatorului. Acesta trebuie marcat ca fiind dispozitivul de deconectare al echipamentului: IEC/EN 61010-1 § 6.11.3.1.
- Curățați instrumentul cu un material textil moale și uscat; nu utilizați substanțe abrazive, detergenți lichizi sau solvenți.



ATTENZIONE!

- Leggere attentamente il manuale prima dell'utilizzo e l'installazione.
- Questi apparecchi devono essere installati da personale qualificato, nel rispetto delle vigenti normative impiantistiche, allo scopo di evitare danni a persone o cose.
- Prima di qualsiasi intervento sullo strumento, togliere tensione dagli ingressi di misura e di alimentazione e cortocircuitare i trasformatori di corrente.
- Il costruttore non si assume responsabilità in merito alla sicurezza elettrica in caso di utilizzo improprio del dispositivo.
- I prodotti descritti in questo documento sono suscettibili in qualsiasi momento di evoluzioni o di modifiche. Le descrizioni ed i dati a catalogo non possono pertanto avere alcun valore contrattuale.
- Un interruttore o disgiuntore va compreso nell'impianto elettrico dell'edificio. Esso deve trovarsi in stretta vicinanza dell'apparecchio ed essere facilmente raggiungibile da parte dell'operatore. Deve essere marchiato come il dispositivo di interruzione dell'apparecchio: IEC / EN 61010-1 § 6.11.3.1.
- Pulire l'apparecchio con panno morbido, non usare prodotti abrasivi, detergenti liquidi o solventi.



UWAGA!

- Przed użyciem i instalacją urządzenia należy uważnie przeczytać niniejszą instrukcję.
- W celu uniknięcia obrażeń osób lub uszkodzenia mienia tego typu urządzenia muszą być instalowane przez wykwalifikowany personel, zgodnie z obowiązującymi przepisami.
- Przed rozpoczęciem jakichkolwiek prac na urządzeniu należy odłączyć napięcie od wejść pomiarowych i zasilania oraz zewrzeć zaciski przekładnika prądowego.
- Producent nie przyjmuje na siebie odpowiedzialności za bezpieczeństwo elektryczne w przypadku niewłaściwego użytkowania urządzenia.
- Produkty opisane w niniejszym dokumencie mogą być w każdej chwili udoskonalone lub zmodyfikowane. Opisy oraz dane katalogowe nie mogą mieć w związku z tym żadnej wartości umownej.
- W instalacji elektrycznej budynku należy uwzględnić przełącznik lub wyłącznik automatyczny. Powinien on znajdować się w bliskim sąsiedztwie urządzenia i być łatwo osiągalny przez operatora. Musi być oznaczony jako urządzenie służące do wyłączenia urządzenia: IEC / EN 61010-1 § 6.11.3.1.
- Urządzenie należy czyścić miękką szmatką, nie stosować środków ściernych, płynnych detergentów lub rozpuszczalników.



警告!

- 安装或使用前，请仔细阅读本手册。
- 本设备只能由合格人员根据现行标准进行安装，以避免造成损坏或安全危害。
- 对设备进行任何维护操作前，请移除测量输入端和电源输入端的所有电压，并短接 CT 输入端。
- 制造商不负责因设备使用不当导致的电气安全问题。
- 此处说明的产品可能会有变更，恕不提前通知。我们竭力确保本文件中技术数据和说明的准确性，但对于错误、遗漏或由此产生的意外事件概不负责。
- 建筑电气系统中必须装有断路器。断路器必须安装在靠近设备且方便操作人员触及的地方。必须将断路器标记为设备的断开装置：IEC/EN 61010-1 § 6.11.3.1
- 请使用柔软的干布清洁设备；切勿使用研磨剂、洗涤剂或溶剂。



ПРЕДУПРЕЖДЕНИЕ!

- Прежде чем приступать к монтажу или эксплуатации устройства, внимательно ознакомьтесь с содержанием настоящего руководства.
- Во избежание травм или материального ущерба монтаж должен осуществляться только квалифицированным персоналом в соответствии с действующими нормативами.
- Перед проведением любых работ по техническому обслуживанию устройства необходимо обеспечить все измерительные и питающие входные контакты, а также замкнуть коротко входные контакты трансформатора тока (ТТ).
- Производитель не несет ответственность за обеспечение электробезопасности в случае ненадлежащего использования устройства.
- Изделия, описанные в настоящем документе, в любой момент могут подвергнуться изменениям или усовершенствованиям. Поэтому каталожные данные и описания не могут рассматриваться как действительные с точки зрения контрактов.
- Электрическая сеть здания должна быть оснащена автоматическим выключателем, который должен быть расположен вблизи оборудования в пределах доступа оператора. Автоматический выключатель должен быть промаркирован как отключающее устройство оборудования: IEC / EN 61010-1 § 6.11.3.1.
- Очистку устройства производить с помощью мягкой сухой ткани, без применения абразивных материалов, жидких мощных средств или растворителей.



DIKKAT!

- Montaj ve kullanımdan önce bu el kitabını dikkatlice okuyunuz.
- Bu aparatlar kişilere veya nesnelere zarar verme ihtimaline karşı yürürlükte olan sistem kuma normlarına göre kalifiye personel tarafından monte edilmelidir.
- Aparatı (cihaz) herhangi bir müdahalede bulunmadan önce ölçüm girişlerindeki genilimi kesip akım transformatorlerinde kısa devre yaptırınız.
- Üretici aparatın hatalı kullanımından kaynaklanan elektriksel güvenliği ait sorumluluk kabul etmez.
- Bu dokümanda tarif edilen ürünler her an evrimlere veya değişimlere açıktır. Bu sebeple katalogdaki tarif ve değerler herhangi bir bağlayıcı değeri haiz değildir.
- Binanın elektrik sisteminde bir anahtar veya şalter bulunmalıdır. Bu anahtar veya şalter operatörün kolaylıkla ulaşabileceği yakın bir yerde olmalıdır. Aparatı (cihaz) devreden çıkartma görevi yapan bu anahtar veya şalterin markası: IEC / EN 61010-1 § 6.11.3.1.
- Aparatı (cihaz) sıvı deterjan veya solvent kullanılarak yumuşak bir bez ile siliniz aşındırıcı temizlik ürünleri kullanmayınız.



INDEX	Page	Page	
Introduction	2	Keypad lock	8
Description	2	IR programming port	8
Front buttons functions	2	Parameter setting via PC	8
Front LED	2	Parameter setting from your smartphone or tablet	9
Operating modes	3	Parameters setting (setup) from front panel	9
Power-up	3	Parameter table	10
Main menu	3	Alarms	16
Password access	4	Alarm properties	16
Table of display pages	5	Alarm table	16
Expandability	6	Alarms description	17
Additional resources	6	Programmable input functions table	18
Communication channels	7	Output functions table	19
Inputs, outputs, internal variables, counters	7	Commands menu	19
Limit thresholds (LIMx)	7	Installation	20
Remote-controlled variables (REMx)	7	Wiring diagrams	20
User alarms (UAX)	7	Terminal position	23
Automatic test	8	Mechanical dimensions and front panel cut-out (mm)	23
Simulation of priority line failure	8	Technical characteristics	24

INTRODUCTION

The ATL 6... control units have been designed to offer state-of-the-art functions for automatic transfer switching applications between two three-phase sources, both utilities or generators. Built with dedicated components and extremely compact, ATL 6... combine the modern design of the front panel with practical installation and LCD screen that provides a clear and intuitive user interface.

DESCRIPTION

- 3 versions available:
 - ATL 600 – base version, AC supply, non-expandable;
 - ATL 601 – base version, DC supply, non-expandable;
 - ATL 610 – expandable version (2 slots for EXP modules), double power supply AC/DC.
- 128x80 pixel, backlit LCD screen with 4 grey levels.
- 5 keys for functions and setting.
- 4 LEDs for plant synoptic (source line and breakers status).
- 2 LEDs for alarm presence and AUTO mode active.
- 5-language text for measurements, settings and messages.
- Advanced programmable I/O functions.
- Fully user-definable alarm properties.
- High accuracy TRMS measurement.
- LINE 1: 3-phase + neutral voltage reading input.
- LINE 2: 3-phase + neutral voltage reading input.
- Switching between LINE-to-LINE, LINE-generator or generator-generator.
- Control of motorized circuit breakers, motorized changeover switches, or contactors.
- Management of automatic test for generators with emergency and rotation.
- Control of voltage source for three-phase, two-phase or single phase systems.
- Control of phase-phase and / or phase-neutral voltages.
- Controls of undervoltage, overvoltage, phase loss, asymmetry, minimum frequency, maximum frequency, with independent enabling and time delay.
- Voltage thresholds with programmable hysteresis.
- 12-24VDC battery supply (ATL 601 e ATL 610).
- Front optical programming interface, galvanically isolated, high-speed, waterproof, compatible with USB dongle (CX01) and Wi-Fi dongle (CX02).
- 6 programmable digital inputs (negative).
- 6+1 digital outputs:
 - 6 relays with NO contact 8A 250VAC;
 - 1 relays with changeover contact 8A 250VAC.
- Storage of the last 100 events.
- Front protection IP40, upgradable to IP65 with optional gasket.
- Compatible with App SAM1 and Synergy supervision software.

FRONT BUTTON FUNCTIONS

OFF button - Selects the OFF operating mode.

AUT button - Selects the automatic mode. Green AUT LED lights.

MAN button - Select the manual operating mode.

▲ and ▼ keys - Used to scroll through the display pages or to select the list of options in a menu. Simultaneously pressing ▼ + ▲ calls up the Main menu with rotating icons.

FRONT LED

AUT LED (green) - Indicates that the automatic mode is active.

Alarm LED (red) - Flashing, indicates an active alarm.

Line 1 voltage status LED (green) - Indicates that the line voltage source 1 is within the programmed limits.

Line 2 voltage status LED (green) - Indicates that the line voltage source 2 is within the programmed limits.

Line 1 breaker status LED (yellow) - If steady indicates the open or closed state of the source LINE 1 breaker. If flashing, indicates a mismatch between the desired state of the breaker and its true state detected by the feedback input.

Line 2 breaker status LED (yellow) - If steady indicates the open or closed state of the source LINE 2 breaker. If flashing, indicates a mismatch between the desired state of the breaker and its true state detected by the feedback input.

OPERATING MODES

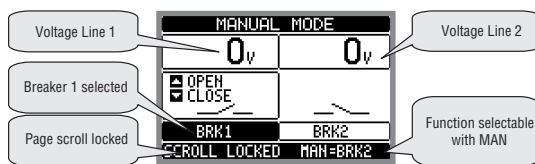
To change the operating mode press for at least 0.5 sec the button correspondent to the desired mode.

OFF Mode – In this mode the device is disabled, and does not take any action. All views, both of the measures of the status LEDs remain active. If the control of the switching devices is impulsive, in OFF mode both open and close commands are disabled. If instead it is in continuous mode, the behaviour can be selected by P05.10. To access the programming menu is always necessary to enter in advance the OFF mode. Pressing the OFF-RESET button resets the retentive alarms, provided that the conditions that generated the alarm has been removed.

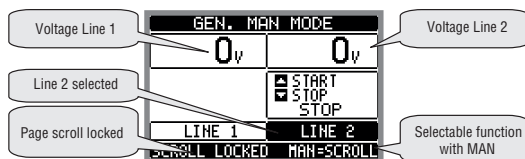
MAN mode (manual) – In MAN mode, you can manually control the switches on the display by selecting the switch that you want to control by pressing the MAN key, and pressing the ▲ or ▼ button to confirm the operation of closing or opening.

While the opening-closing of the breakers is enabled, the page scroll is locked. Pressing MAN several times it is possible to unlock it and to move through other display pages.

If is controlled manually closing a switch while the other is still closed, the unit will proceed before the opening of the other switch and then to the closure of the commanded one, inserting the interlock time programmed.



When working with the generators, you can manually control the switching ON and OFF of the generator in a manner similar to that described for switches, but moving on the page start / stop groups.



AUT mode (Automatic) – The AUT mode is highlighted by the lighting of the corresponding green LED. In automatic mode, the unit manages automatically the opening and closing of the breakers and the starting and stopping of generator sets.

When the priority line voltage is out of bounds for a time longer than those set (line presence green LED turns OFF), the unit disconnects the load from the priority line and connect it to the secondary line, managing both start-up of any generator and interlock time delay. It is possible to program the unit to open the priority line breaker before or after the secondary line has been made available, through parameter P05.05 in the M05 Changeover menu.

When the priority line comes back within the limits, the unit will switch back the load on it and decide the possible cooling cycle of the generator. It is possible also to lock the automatic return to the priority line by means of parameter P05.12.

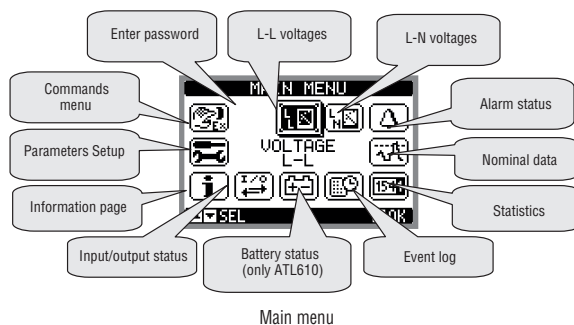
The cycles of automatic operation vary according to the type of application (utility-utility, utility-generator, generator-generator) and depending on the type of switching devices used (motorized breakers, motorized changeovers, contactors).

POWER-UP

- ATL 600 has 100-240VAC supply.
- ATL 601 has 12-24VDC supply.
- ATL 610 has 100-240VAC or 12-24VDC supply. In the case of the simultaneous presence of both power supplies, priority is given to the AC power supply.
- After power-up the device normally starts in OFF mode.
- If you need the device to keep the same operation mode effective before switching OFF, you must change the parameter P01.03 in the M01 Utilities menu.
- ATL 601 and ATL 610 can be supplied at either 12 or 24VDC, but the proper nominal battery voltage must be set in the menu M04 Battery, otherwise you will have an alarm related to the battery voltage.
- During power-up all the LEDs are made blinking in order to verify their operation.

MAIN MENU

- The main menu is made up of a group of graphic icons (shortcuts) that allow rapid access to measurements and settings.
- Starting from normal viewing, press ▲ and ▼ keys together. The main menu screen is displayed.
- Press ▲ or ▼ to rotate clockwise/counter clockwise to select the required function. The selected icon is highlighted and the central part of the display shows the description of the function.
- Press ✓ to activate the selected function.
- If some functions are not available, the corresponding icon will be disabled, that is shown in a light grey colour.
- [Icons] etc. – Shortcuts that allow jumping to the first page of that group. Starting from that page it is still possible to move forward-backward in the usual way.
- [Key icon] – Opens the password entry page, where it is possible to specify the numeric codes that unlock protected functions (parameter setting, commands menu).
- [Gear icon] – Access point to the setup menu for parameter programming. See dedicated chapter.
- [Wrench icon] – Access point to the commands menu, where the authorised user can execute some clearing-restoring actions.
- [154 icon] – Access point to the statistic data about the controller operation.
- [Event log icon] – Access point to the Event log list.



PASSWORD ACCESS

- The password is used to enable or lock the access to setting menu (setup) and to commands menu.
- For brand-new devices (factory default), the password management is disabled and the access is free. If instead the passwords have been enabled and defined, then to get access, it is necessary to enter the password first, specifying the numeric code through the keypad.
- To enable password management and to define numeric codes, see setup menu.
- There are two access levels, depending on the code entered:
 - **User-Level access** – Allows clearing of recorded values and the editing of a restricted number of setup parameters;
 - **Advanced access level** – Same rights of the user access plus full settings editing-restoring.
- From normal viewing, press ✓ to recall main menu, select the password icon and press ✓.
- The display shows the screen in picture:



- Keys ▲ and ▼ change the selected digit.
- Keys + and - move through the digits.
- Enter all the digits of the numeric code, then move on the key icon.
- If the password code entered matches the User access code or the Advanced access code, then the correspondent unlock message is shown.
- Once unlocked the password, the access rights last until:
 - The device is powered OFF;
 - The device is reset (after quitting the setup menu);
 - The timeout period of two minutes elapses without any keystroke.
- To quit the password entry screen press ✓ key.

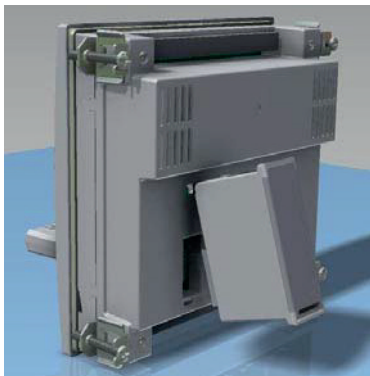
PAGES	EXAMPLE
L-L Voltage	<p>LINE 1</p> <p>LINE 2</p> <p>Measure unit</p> <p>Phases indication</p> <p>Frequency</p> <p>Operative mode</p>
Alarms status	<p>Active alarm</p>
Statistics	<p>MAN mode commutation counter</p> <p>LINE1</p> <p>LINE2</p> <p>AUT mode commutation counter</p> <p>Time lapse with load supplied</p> <p>Contatore allarmi A03 A04</p> <p>Time lapse with lines out of the limits</p> <p>Total time with no supplied load</p> <p>ATL total power down counter</p> <p>Time lapse with lines in the limits</p>
Installed expansion (ATL 610 only)	<p>Device model indication</p> <p>Power supply</p> <p>Optical port communication status</p> <p>Expansion installed indication</p>
Input configurations	
Virtual real time calendar clock	
System info	<p>Software Hardware Parameters revision level</p> <p>Name of the ATS used</p>
Synoptic	

PAGES	EXAMPLE
L-N Voltage	<p>Voltage</p> <p>Phases indication</p> <p>Frequency</p>
Control thresholds	<p>LINE 1</p> <p>LINE 2</p> <p>Voltage thresholds</p> <p>Frequency thresholds</p>
Battery status (ATL 610 only)	<p>Minimum voltage measured</p> <p>Maximum voltage measured</p> <p>Actual voltage</p> <p>Maximum voltage limit</p> <p>Minimum voltage limit</p> <p>Maximum and minimum voltages reset</p>
I/O Status	<p>Digital I/O state In reverse = enabled</p>
Outputs configurations	
Info page	<p>Free user text</p>
Event List	<p>Event code</p> <p>Description of event</p>

NOTE: Some of the pages listed above may not be displayed if the relevant function is disabled. For example, if the Limit threshold function is not programmed, the corresponding page will not be shown.

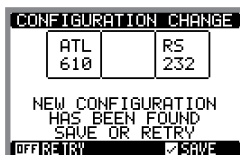
EXPANDABILITY

- Thanks to expansion bus, the ATL 610 can be expanded with EXP... modules.
- It is possible to connect a maximum of 2 EXP... modules at the same time.
- The supported EXP... modules can be grouped in the following categories:
 - Communication modules;
 - Digital I/O modules.
- To insert an expansion module:
 - Remove the power supply to ATL 610;
 - Remove the protecting cover of one of the expansion slots;
 - Insert the upper hook of the module into the fixing hole on the left of the expansion slot;
 - Rotate right the module body, inserting the connector on the bus;
 - Push until the bottom clip snaps into its housing.



ATL 610 expansion mounting

- When the ATL 610 is powered ON, it automatically recognises the EXP... modules that have been mounted.
- If the system configuration has changed with respect to the last saved, (one module has been added or removed), the base unit asks the user to confirm the new configuration. In case of confirmation, the new configuration will be saved and will become effective, otherwise the mismatch will be shown at every subsequent power-on of the system.



- The actual system configuration is shown in the dedicated page of the display (expansion modules), where it is possible to see the number, the type and the status of the modules.
- The I/O numbering is shown under each module.
- The I/O status (active/not active) and communication channel status is highlighted with a reverse code.

ADDITIONAL RESOURCES

- The expansion modules provide additional resources that can be used through the dedicated setup menus.
- The setup menus related to the expansions are always accessible, even if the expansion modules are not physically fitted.
- Since it is possible to add more than one module of the same typology (for instance two communication interfaces), the setup menus are multiple, identified by a sequential number.
- The following table indicates how many modules of each group can be mounted at the same time. The total number of modules must be less or equal than 2.

MODULE TYPE	CODE	FUNCTION	MAX Nr.	REV
COMMUNICATION	EXP 10 10	USB	2	0
	EXP 10 11	RS232	2	0
	EXP 10 12	RS485	2	0
	EXP 10 13	Ethernet	1	0
	EXP 10 14	Profibus® DP	1	1
DIGITAL I/O	EXP 10 00	4 inputs	2	0
	EXP 10 01	4 static outputs	2	0
	EXP 10 02	2 inputs + 2 st. outputs	2	0
	EXP 10 03	2 changeover relays	2	0
	EXP 10 06	2 relays no	2	0
	EXP 10 07	3 relays no	2	0
	EXP 10 08	2 inputs + 2 relays no	2	0

COMMUNICATION CHANNELS

- The ATL 610 supports a maximum of 2 communication modules, indicated as COMn. The communication setup menu is thus divided into two sections (n=1 ... 2) of parameters for the setting of the ports.
- The communication channels are completely independent, both for the hardware (physical interface) and for the communication protocol.
- The two channels can communicate at the same time.
- Activating the Gateway function it is possible to use an ATL 610 with both an Ethernet port and a RS485 port, that acts as a bridge over other devices equipped with RS485 only, in order to achieve a more economic configuration (only one Ethernet port).
- In this network, the ATL 610 with Ethernet port will be set with both communication channels (two among COM1, COM2) with Gateway function set to ON, while the other devices will be configured normally with Gateway = OFF.

INPUTS, OUTPUTS, INTERNAL VARIABLES, COUNTERS

The inputs and outputs are identified by a code and a sequence number. For instance, the digital inputs are identified by code INPx, where x is the number of the input. In the same way, digital outputs are identified by code OUTx.

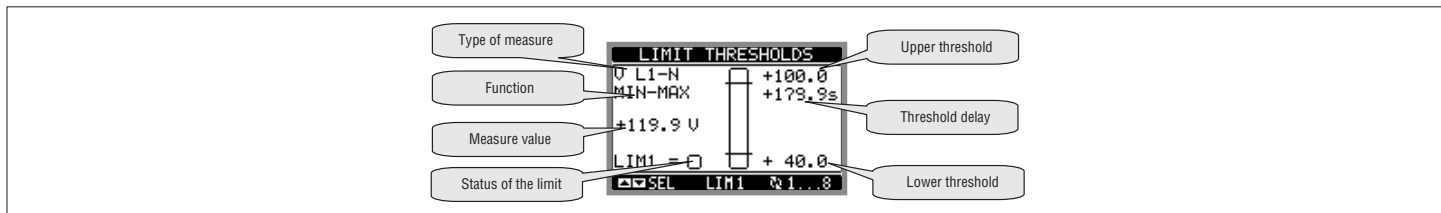
COD	DESCRIPTION	BASE	EXP... (ATL 610)
INPx	Digital inputs	1...6	7...14
OUTx	Digital outputs	1...7	8...15

- In a similar way, there are some internal bit-variables (markers) that can be associated to the outputs or combined between them. For instance, it is possible to apply some limit thresholds to the measurements done by the system. In this case, an internal variable named LIMx will be activated when the measurements will go outside the limits defined by the user through the dedicated setting menu.
- Furthermore, there are up to 4 counters (CNT1...CNT4) that can count pulses coming from an external source (through a digital input INPx) or the number of times that a certain condition as been verified. For instance, defining a limit threshold LIMx as the count source, it will be possible to count how many times one measurement has exceeded a certain limit.
- The following table groups all the I/O and the internal variables managed by the ATL 6..., with highlighting of their range (variables number per type).

CODE	DESCRIPTION	RANGE
LIMx	Limit thresholds	1...4
REMX	Remote-controlled variables	1...16
UAx	User alarms	1...4
CNTx	Programmable counters	1...4

LIMIT THRESHOLDS (LIMx)

- The LIMn thresholds are internal variables whose status depends on the out-of-limits of one particular measurement set by the user (e.g. phase to phase voltage L1-L2 higher than 400V) among all those measured.
- To make the setting of the thresholds easier, since the limits can span in a very wide range, each of them can be set using a base number and a multiplier (for example: 400 x 1 = 400).
- For each LIM, there are two thresholds (upper and lower). The upper threshold must always be set to a value higher than the lower threshold.
- The meaning of the thresholds depends on the following functions:
 - Min function:** the lower threshold defines the trip point, while the upper threshold is for the resetting. The LIM trips when the selected measurement is less than the Lower threshold for the programmed delay. When the measured value becomes higher than the upper set point, after the set delay, the LIM status is reset.
 - Max function:** the upper threshold defines the trip point, while the lower threshold is for the resetting. The LIM trips when the selected measurement is more than upper threshold for the programmed delay. When the measured value decreases below the lower set point, after the delay, the LIM status is reset.
 - Max+Min function:** both thresholds are for tripping. When the measured value is less than lower or more than upper set points, then, after the respective delays, the LIM will trip. When the measured value returns within the limits, the LIM status will be immediately reset.
- Trip denotes either activation or de-activation of the LIM variable, depending on 'Normal status' setting.
- If the LIMn latch is enabled, the reset can be done only manually using the dedicated command in the commands menu.
- See setup menu M13 Limit thresholds .



REMOTE-CONTROLLED VARIABLES (REMX)

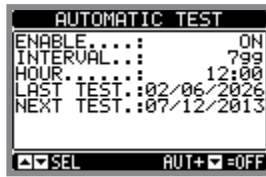
- ATL 6... can manage up to 16 remote-controlled variables (REM1...REM16).
- Those are variables which status can be modified by the user through the communication protocol and that can be used in combination with outputs. Example: using a remote variable (REMX) as a source for an output (OUTx), it will be possible to freely energise or de-energise one relay through the supervision software. This allows to use the ATL 6... relays to drive lighting or similar loads.

USER ALARMS (UAx)

- The user has the possibility to define a maximum of 4 programmable alarms (UA1...UA4).
- For each alarm, it is possible to define:
 - The source that is the condition that generates the alarm;
 - The text of the message that must appear on the screen when this condition is met;
 - The properties of the alarm (just like for standard alarms), that is in which way that alarms interacts with the generator control.
- The condition that generates the alarm can be, for instance, the overcoming of a threshold. In this case, the source will be one of the limit thresholds LIMx.
- If instead, the alarm must be displayed depending on the status of an external digital input, then the source will be an INPx.
- For every alarm, the user can define a free message that will appear on the alarm page.
- The properties of the user alarms can be defined in the same way as the normal alarms. You can choose whether a certain alarm will stop the engine, activate the siren, close the global alarm output, etc. See chapter Alarm properties.
- When several alarms are active at the same time, they are displayed sequentially, and their total number is shown on the status bar.
- Pressing the OFF- RESET button can be reset retentive alarms, provided that the conditions that generated the alarm has been removed.
- To reset one alarm that has been programmed with latch, use the dedicated command in the commands menu.
- For details on alarm programming and definition, refer to setup menu M15 User alarms.

AUTOMATIC TEST

- The automatic test is a periodic test carried out at set intervals (set during setup) if the system is in AUT mode and the function has been enabled.
- The typical application is to check the efficiency of a generating set used as an emergency power source.
- It is possible to decide in which days of the week the automatic test can be executed and at what time of the day (hours; minutes).
- See menu M09 Automatic Test for more details on automatic test programming.
- After starting, the gen-set runs for a set time, after which it will stop. The message 'A.TEST' is displayed before the generator starts.



- The automatic test can be enabled/disabled without opening the Setup menu in the following way:
 - Open the 'AUTOMATIC TEST' page and press the keys AUT and ▲ to enable the function, or the keys AUT and ▼ to disable it.
- The automatic test can be stopped with the OFF-RESET key.

SIMULATION OF PRIORITY LINE FAILURE

- It is possible to simulate the lack of the priority line in order to verify the behavior of the transfer switch system.
- The simulation can be started either using the commands menu (command C.16) or via a digital input, for example connecting it to a key switch, programming the function of the input to the execution of the command C.16.
- The simulation consists in considering the priority line absent for 2 minutes, even if it is actually present. During this time the main page shows the message SIMUL xxx with the countdown of the time.
- The simulation will cause the start of the generator (if present) and a load transfer exactly as in the automatic cycle.
- You can stop the simulation at any time by passing in OFF mode.
- If you make the simulation through commands menu, you must start from the OFF mode (which allows access to the menu). Once selected and confirmed the C.16 command, exit the command menu. The unit will independently switch to AUT mode and start the simulation.

KEYPAD LOCK

- The ATL 6... keypad can be locked either by:
 - Programmable input;
 - A particular procedure from front keys.
- Once the keypad is locked, it will only be possible to view measures, but not to change operating mode or to operate manually on circuit breakers. If the icon menu is shown and the keypad is locked, wait 2 minutes to return to main page.
- Any attempt to use the locked keys will cause the word ACCESS LOCKED to be displayed.
- To lock or unlock the keypad, press key ▲ and, while holding it down, press key ▼ three times without releasing it at the end.
- Release then key ▲ and then press it 5 times, then release both keys.
- When the keypad is locked, the display shows the word Loc. Conversely if it has been KEYBOARD LOCKED, the word KEYBOARD UNLOCKED would appear.

IR PROGRAMMING PORT

- The parameters of the ATL 6... can be configured through the front optical port, using the IR-USB CX01 programming dongle or with the IR- Wi-Fi CX02 dongle.
- This programming port has the following advantages:
 - You can configure and service the ATL 6... without the need to access to the rear of the device or having to open the electrical panel;
 - It is galvanically isolated from the internal circuits of the ATL 6..., guaranteeing the greatest safety for the operator;
 - High speed data transfer;
 - IP65 front panel;
 - Limits the possibility of unauthorized access with device config.
- Simply hold the CX... dongle up to the front panel, connecting the plugs to the relevant connectors, and the device will be acknowledged as shown by the LINK LED on the programming dongle flashing green.



CX01 USB Dongle and CX02 Wi-Fi Dongle

PARAMETER SETTING (SETUP) WITH PC

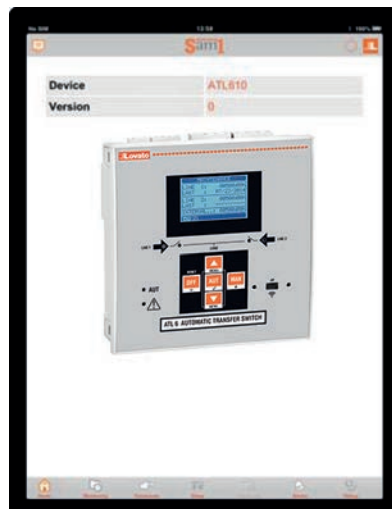
- You can use Xpress setup software to transfer (previously programmed) setup parameters from the ATL 6... to the hard drive of the PC and vice versa.
- The parameter may be partially transferred from the PC to the ATL, transferring only the parameters of the specified menus.
- The PC can be used to set parameters and also the following:
 - Customised logo displayed on power-up and every time you exit keyboard setup;
 - Info page where you can enter application information, characteristics, data, etc;
 - Load alternative set of languages to default.

PARAMETERS SETTING FROM YOUR SMARTPHONE OR TABLET

- Using the SAM1 App, available for iOS or Android tablets and smartphones, together with the CX02 dongle, it is possible to connect to the ATL 6...
- The App allows you to view alarms, send commands, read measurements, set parameters, download the events and send data via e-mail.



SAM1 – smartphone



SAM1 – tablet

PARAMETER SETTING (SETUP) FROM FRONT PANEL

- To open the parameters programming menu (setup):
 - Turn the unit in **OFF** mode;
 - In normal measurements view, press ▲ ▼ simultaneously to call up the Main menu;
 - Select the icon . If it is disabled (displayed in grey) you must enter the password (see chapter Password access);
 - Press ✓ to open the setup menu.
- The table shown in the illustration is displayed, with the settings sub- menus of all the parameters on the basis of their function.
- Select the required menu with keys ▲ or ▼ and confirm with ✓.
- Press **OFF** to quit and return to the measurement viewing.

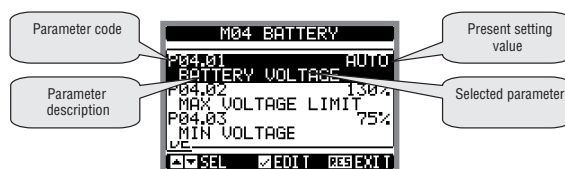


Setup: menu selection

- The following table lists the available submenus:

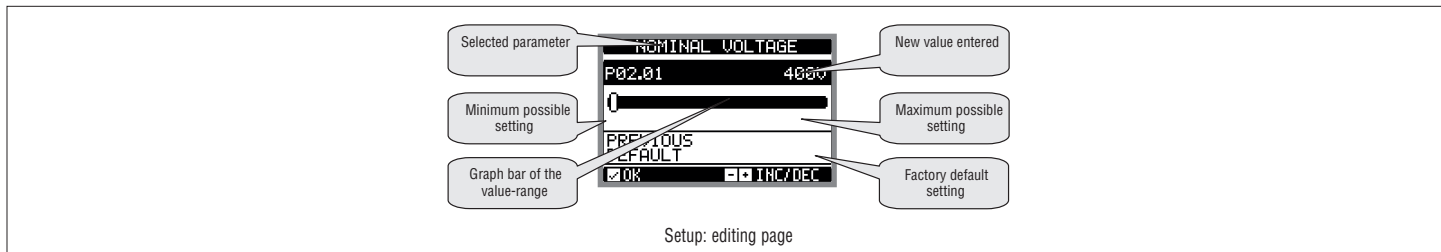
CODE	MENU	DESCRIPTION
M01	UTILITY	Language, brightness, display pages, etc.
M02	GENERAL	System specifications
M03	PASSWORD	Password settings
M04	BATTERY	Battery parameters (ATL 601 and ATL 610)
M05	CHANGEOVER	Load changeover settings
M06	LINE 1 CONTROL	Acceptability limits for LINE 1 source
M07	LINE 2 CONTROL	Acceptability limits for LINE 2 source
M08	COMMUNICATIONS	Communications parameters (ATL 610)
M09	AUTOMATIC TEST	Automatic test mode, duration, period
M10	DIGITAL INPUTS	Programmable digital inputs functions
M11	DIGITAL OUTPUTS	Programmable digital outputs functions
M12	MISCELLANEOUS	Functions like maintenance etc.
M13	LIMIT THRESHOLDS	Customisable limit thresholds
M14	COUNTERS	Programmable generic counters
M15	USER ALARM	Programmable alarms
M16	ALARM TABLE	Alarms effect enabling

- Select the sub-menu and press ✓ to show the parameters.
- Each parameter is shown with code, description and actual setting value.



Setup: parameter selection

- To modify the setting of one parameter, select it and then press ✓.
- If the Advanced level access code has not been entered, it will not be possible to enter editing page and an access denied message will be shown.
- If instead the access rights are confirmed, then the editing screen will be shown.



Setup: editing page

- When the editing screen is displayed, the parameter setting can be modified with + and – keys. The screen shows the new setting, a graphic bar that shows the setting range, the maximum and minimum values, the previous setting and the factory default.
- Pressing + and ▲ the value is set to the maximum possible, while with ▲ and – it is set to the minimum.
- Pressing simultaneously + and –, the setting is set to factory default.
- During the entry of a text string, keys ▲ and ▼ are used to select the alphanumeric character while + and – are used to move the cursor along the text string. Pressing keys ▲ and ▼ simultaneously will move the character selection straight to character 'A'.
- Press ✓ to go back to the parameter selection. The entered value is stored.
- Press OFF to save all the settings and to quit the setup menu. The controller executes a reset and returns to normal operation.
- If the user does not press any key for more than 2 minutes, the system leaves the setup automatically and goes back to normal viewing without saving the changes done on parameters.
- N.B.: a backup copy of the setup data (settings that can be modified using the keyboard) can be saved in the eeprom memory of the ATL.... This data can be restored when necessary in the work memory. The data backup 'copy' and 'restore' commands can be found in the commands menu.

PARAMETER TABLE

M01 - UTILITY		UoM	Default	Range
P01.01	Language		English	English Italiano Francais Espagnol Deutsch
P01.02	Set real time clock at power-on		OFF	OFF-ON
P01.03	Power-on operating mode		Previous	OFF mode Previous
P01.04	LCD contrastD	%	50	0-100
P01.05	Display backlight intensity high	%	100	0-100
P01.06	Display backlight intensity low	%	25	0-50
P01.07	Time to switch to low backlighting	s	180	5-600
P01.08	Return to default page	s	300	OFF / 10-600
P01.09	Default page		VL-L	(page list)
P01.10	Plant identifier		(empty)	String 20 chr.

P01.01 – Select display text language.

P01.02 – Active automatic clock settings access after power-up.

P01.03 – Start system in OFF mode after power-up or in same mode it was switched OFF in.

P01.04 – Adjust LCD contrast.

P01.05 – Display backlight high adjustment.

P01.07 – Display backlight low delay.

P01.08 – Default page display restore delay when no key pressed. If set to OFF the display will always show the last page selected manually.

P01.09 – Default page displayed on power-up and after delay.

P01.10 – Free text with alphanumeric identifier name of specific plant.

M02 - GENERAL		UoM	Default	Range
P02.01	Nominal plant voltage	VAC	400	50-50000
P02.02	VT Use		OFF	OFF-ON
P02.03	VT Primary	V	100	50-50000
P02.04	VT Secondary	V	100	50-500
P02.05	Phase sequence control		OFF	OFF L1-L2-L3 L3-L2-L1
P02.06	Wiring mode		L1-L2-L3-N	L1-L2-L3-N L1-L2-L3 L1-N-L2 L1-N
P02.07	Voltage control mode		L-L	L-L L-N L-L + L-N
P02.08	Nominal frequency		50HZ	50 HZ 60 HZ

P02.01 – Rated voltage of LINE 1 and LINE 2. Always set the line-to-line voltage for polyphase systems.

P02.02 – Using voltage transformers (TV) on LINE 1/ LINE 2 voltage metering inputs.

P02.03 – Primary value of any voltage transformers.

P02.04 – Secondary value of any voltage transformers.

P02.04 – Enable phase sequence control. **OFF** = no control. **Direct** = L1-L2-L3. **Reverse** = L3-L2-L1. Note: Enable also corresponding alarms.

P02.06 – Choosing the type of connection, three-phase with / without neutral, two-phase or single phase.

P02.07 – Voltage checks performed on concatenated, phase voltages or both.

P02.08 – Rated frequency LINE 1 / LINE 2.

M03 - PASSWORD		UoM	Default	Range
P03.01	Password enable		OFF	OFF-ON
P03.02	User level password		1000	0-9999
P03.03	Advanced level password		2000	0-9999
P03.04	Remote access password		OFF	OFF/1-9999

P03.01 – If set to OFF, password management is disabled and anyone has access to the settings and commands menu.

P03.02 – With P03.01 enabled, this is the value to specify for activating user level access. See Password access chapter.

P03.03 – As for P03.02, with reference to Advanced level access.

P03.04 – If set to a numeric value, this becomes the code to specify via serial communication before sending commands from a remote control.

M04 - BATTERY		UoM	Default	Range
P04.01	Rated battery voltage	V	AUTO	AUTO 12 24 OFF
P04.02	MAX voltage limit	%	130	110-140
P04.03	MIN voltage limit	%	75	60-130
P04.04	MIN/MAX voltage delay	sec	10	0-120

P04.01 – Rated battery voltage. If set to OFF disables the alarm and the display of the battery status.

P04.02 – Battery MAX voltage alarm intervention threshold.

P04.03 – Battery MIN voltage alarm intervention threshold.

P04.04 – Battery MIN and MAX. alarms intervention delay.

M05 – LOAD CHANGEOVER		UoM	Default	Range
P05.01	Application type		U-G	U-G U-U G-G
P05.02	Priority line selection		-1-	-1- LINE 1 -2- LINE 2
P05.03	LINE 1 → LINE 2 interlock time	s	6.0	0.1...1800.0
P05.04	LINE 1 ← LINE 2 interlock time	s	6.0	0.1...1800.0
P05.05	Breaker open mode		OBP	OBP OAP
P05.06	Maximum operating switch time (A03 – A04 alarms delay)	s	5	1...900
P05.07	Changeover type		Brk. Pul.	Brk. Pul. Brk. Con. Chg. Pul. Chg. Con. Contactors
P05.08	Opening pulse duration	s	10	1-600
P05.09	Closing pulse duration	s	1	1-600
P05.10	Continuous command in RESET/OFF mode		NOC	OFF NOC
P05.11	Load no powered maximum time (A07 delay time)	s	60	OFF / 1...3600
P05.12	Inhibition automatic return on priority LINE		OFF	OFF / ON
P05.13	EJP mode		Normal	Normal EJP EJP-T SCR
P05.14	EJP start delay	min	25	0-240
P05.15	EJP Changeover delay	min	5	0-240
P05.16	ELP re-switching block		ON	OFF/ON
P05.17	Changeover on closing failure (only with open feedback)		OFF	OFF 1 2 1+2
P05.18	Minimum voltage coil pulse duration	s	1.0	0.1 ... 10.0
P05.19	Delay between minimum coil and spring reload	s	0.2	0.1 ... 10.0
P05.20	Closing retry		AUT	OFF AUT AUT+MAN CLOSING
P05.21	Generator rotation interval		OFF	OFF 1h-2h-3h- 4h-6h-8h- 12h- 1d-2d-3d 4d-5d-6d-7d
P05.22	Generator rotation hour	h	0	0...23
P05.23	Generator rotation minutes	min	0	0...59
P05.24	A12-A13 generator stop		OFF	OFF-ON

P05.01 – Defines the type of application for the control of one or two generator sets, enabling the management of the relevant input/output signals.

G = Utility to Generator. **U-U** = Utility to Utility. **G-G** = Generator to Generator.

P05.02 – Defines which is the main line, i.e. the line taking on the load when both sources are available.

P05.03 – Time from the opening of the LINE 1 switchgear, after which the LINE 2 switchgear closing command is given.

P05.04 – Time from the opening of the LINE 2 switchgear, after which the LINE 1 switchgear closing command is given.

P05.05 – OBP (Open Before Presence) means that, in automatic mode, the open command of a circuit breaker is generated when the line concerned goes beyond limits, irrespective of the status of the alternative line.

OAP (Open After Presence) means that, in automatic mode, the open command of a circuit breaker is sent only after the alternative line is present within limits.

- P05.06** – If, after sending an open or close command to a circuit breaker, this is not positioned correctly within this time, alarms A03 or A04 are generated. It works when the auxiliary contacts of circuit breaker status are programmed and wired.
- P05.07** – Defines whether open-close outputs must be continuously active (application with contactors or circuit breakers without feedback) or in pulse mode, i.e. activated until the circuit breaker / switch has been positioned as required. If in pulse mode, the command is extended for a specified time (see P5.08 e P5.09) even after positioning completion.
- P05.08** – Minimum duration of an opening command pulse. For the motorized circuit breaker application, it must be set to a time long enough to allow the load of the springs. This time is considered also when working in continuous mode.
- P05.09** – Duration of the closing command pulse.
- P05.10** – Defines the behaviour of the open/close command outputs when working in continuous command mode and ATL... is in RESET/OFF mode. This parameter can be useful when working with contactors.
OFF – It opens the command outputs. **NOC** – No change on command output.
- P05.11** – If in automatic mode both sources are not available at the same time for a time exceeding P5.11, alarm A07 is generated.
- P05.12** – If this parameter is enabled, after a transfer to the secondary line, restore to main line does not occur automatically when the latter becomes available again, but it must be commanded in manual mode.
OFF – Disabled. **ON** – Enabled.
- P05.13** – **Normal** = Standard operation in AUT mode. **EJP** = 2 programmable inputs are used, set with the functions Remote starting OFF load and Remote changeover for EJP. When the starting input closes the engine start (P05.14) delay is enabled, after which the start cycle runs. Then, when the remote switching go-ahead is received, if the engine started properly, the load will be switched from the mains to the generator. The load is restored to the mains by the remote switching go-ahead opening and the genset runs a stop cycle when the start input opens. The EJP function is only enabled if the system is in automatic mode. The cutouts and alarms function as usual. **EJP-T** = The EJP/T function is a simplified variation of the previous EJP, and in this case the engine start is controlled in the same way, but a timer switches the load instead of an external signal. This function therefore uses only one digital input, the starting input. The switching delay starts from when the start command closes, and can be set using parameter P05.15 Changeover delay. **SCR** = The SCR function is very similar to the EJP function. In this mode, the starting input enables genset starting as for EJP, without waiting for start delay P05.14. The remote changeover input still has a switching go-ahead function after Changeover delay P05.15.
- P05.14** – Delay between the EJP start signal and the effective start signal sent to the generator.
- P05.15** – Delay for switching the load from LINE 1 to LINE 2 in EJP and SCR mode.
- P05.16** – If ON, in EJP, EJP-T and SCR mode, the load will not be switched back to the priority line in the case of a generator failure, but only when the signals on the EJP inputs give a go-ahead.
- P05.17** – If enabled, in case of closing failure of the switching device (when feedback is opened while closing command active), in addition to the generation of the proper feedback alarm (A03 or A04) the load is switched to the alternative source. **OFF** = function disabled. **1** = check source line 1. **2** = check source line 2. **1+2** = check both source lines.
- P05.18** – Duration of the opening pulse on the minimum voltage coils.
- P05.19** – Time between the opening pulse on the minimum voltage coil and the spring reload command.
- P05.20** – In case of use of motorized breakers, this parameter defines in which operating mode the ATL... must execute the closing retry cycle. The closing retry is executed in case the breaker fails to close because the springs were not loaded. It consists of a complete opening and spring loading cycle, followed by the issuing of a new closing command. If the breaker fails to close again, then the A03 or A04 feedback alarm are generated. **OFF** = Closing retry is never executed. **AUT, AUT+MAN** = Closing retry is only executed when ATS is in the set operating mode. **CLOSING** = Closing retry is executed only in case of failed closing but not when breaker opens spontaneously.
- P05.21-P05.22-P05.23** – These parameters allow to implement a time rotation in G-G applications, switching the priority between the two generators. P05.21 defines the rotation interval between the two generators. The time of the day when rotation will occur is defined by P05.21 and P05.22. If the rotation interval exceeds 24h, then rotation always occurs at the time stated every n days. Contrarily, if it is less than 24h, then it occurs at the time specified and also at submultiples. For instance, if you set time at 12:30 and rotation every 6h, there will be a changeover at 12:30, one at 18:30, one at 0:30, etc.
- P05.24** – In case of A12/A13 alarms, the related generator is turned OFF.

M06 – VOLTAGE CONTROL LINE 1		UoM	Default	Range
P06.01	MIN voltage limit for trip	%	85	70-100
P06.02	MIN voltage pick-up	%	90	70-100
P06.03	MIN voltage delay	s	5	0-600
P06.04	MAX voltage limit for trip	%	115	100-130 / OFF
P06.05	MAX voltage pick-up	%	110	100-130 / OFF
P06.06	MAX voltage delay	s	5	0-600
P06.07	Presence delay (when LINE 2 source not available)	s	10	1-6000
P06.08	Presence delay (when LINE 2 source available)	s	60	1-6000
P06.09	Phase failure threshold	%	70	60 – 80 OFF
P06.10	Phase failure delay	s	0.1	0.1s-30s
P06.11	MAX asymmetry limit	%	15	1% -20%/OFF
P06.12	MAX asymmetry delay	s	5	0.1-900
P06.13	MAX frequency limit	%	105	100-120/OFF
P06.14	MAX frequency delay	s	3	0-600
P06.15	MIN frequency limit	%	95	OFF/80-100
P06.16	MIN frequency delay	s	5	0-600
P06.17	LINE 1 control OFF mode		OFF	OFF ON OFF+GLOB ON+GLOB
P06.18	LINE 1 control MAN mode		OFF	OFF ON OFF+GLOB ON+GLOB
P06.19	Time delay generator starter due to a lack of LINE 1	s	OFF	OFF / 1-6000
P06.20	Generator cooling time	s	120	1-3600

- P06.01, P06.02, P06.03** – The first two parameters define the minimum voltage threshold and the related hysteresis upon restore. P06.02 cannot be set to a lower value than P6.01. P6.03 defines the intervention delay of this protection.
- P06.04, P06.05, P06.06** – The first two parameters define the maximum voltage threshold and the related hysteresis upon restore. P06.05 cannot be set to a value exceeding P06.04. Setting P06.04 to OFF will disable the maximum voltage control. P06.06 defines the maximum voltage intervention delay.
- P06.07** – Delay for LINE 1 restore to the limit range, used when the LINE 2 source is not available. Generally shorter than P06.08, as there is the urgent need to supply power because the load is not energized.
- P06.08** – Delay for LINE 1 restore to the limit range, used when the load can be connected to LINE 2. Generally longer than P06.07, as the load is energized and consequently it is possible to wait longer before considering voltage steadily restored.
- P06.09, P06.10** – Voltage threshold below which a phase loss intervention occurs, generally quicker than the drop. The delay for the phase loss is specified by P06.10.
- P06.11, P06.12** – P06.11 defines the maximum threshold for unbalance between phases, referred to voltage rating, and P06.12 defines the related intervention delay. This control may be disabled by setting P3.11 to OFF.
- P06.13** – MAX frequency intervention threshold (can be disabled).
- P06.14** – MAX frequency intervention delay.
- P06.15** – MIN frequency intervention threshold (can be disabled).
- P06.16** – MIN frequency intervention delay.
- P06.17** – **OFF** = LINE 1 voltage control in OFF mode disabled. **ON** = Voltage control in OFF mode enabled. **OFF+GBL** = Voltage control in OFF mode disabled, but the relay programmed with the global alarm function activates or not depending on whether the voltage is respectively absent or present. **ON+GBL** = Voltage control in OFF mode enabled, and the relay programmed with the global alarm function activates or not depending on whether the voltage is respectively absent or present.
- P06.18** – See P06.17 with reference to MANUAL mode.
- P06.19** – Engine start delay when LINE 1 fails to meet set limits. If set to OFF, the starting cycle starts when the mains contactor opens.
- P06.20** – Max duration of the cooling cycle. Example: time between load disconnection from the generator and when the engine actually stops.

M07 – VOLTAGE CONTROL LINE 2		UoM	Default	Range
P07.01	MIN voltage limit for trip	%	85	70-100
P07.02	MIN voltage pick-up	%	90	70-100
P07.03	MIN voltage delay	s	5	0-600
P07.04	MAX voltage limit for trip	%	115	100-130 / OFF
P07.05	MAX voltage pick-up	%	110	100-130 / OFF
P07.06	MAX voltage delay	s	5	0-600
P07.07	Presence delay (when LINE 1 source not available)	s	10	1-6000
P07.08	Presence delay(when LINE 1 source available)	s	60	1-6000
P07.09	Phase failure threshold	%	70	60 – 80 OFF
P07.10	Phase failure delay	s	0.1	0.1s-30s
P07.11	MAX asymmetry limit	%	15	1 -20 OFF
P07.12	MAX asymmetry delay	s	5	0.1-900
P07.13	MAX frequency limit	%	105	100-120 OFF
P07.14	MAX frequency delay	s	3	0-600
P07.15	MIN frequency limit	%	95	OFF 80-100
P07.16	MIN frequency delay	s	5	0-600
P07.17	LINE 1 control OFF mode		OFF	OFF ON OFF+GLOB ON+GLOB
P07.18	LINE 1 control MAN mode		OFF	OFF ON OFF+GLOB ON+GLOB
P07.19	Time delay generator starter due to a lack of LINE 2	s	OFF	OFF / 1-6000
P07.20	Generator cooling time	s	120	1-3600

Note – For details on the functions of parameters see the menu M06 – VOLTAGE CONTROL LINE 1.

M8 – COMMUNICATION (COMn, n=1...2) (only ATL 610)		UoM	Default	Range
P08.n.01	Node serial address		01	01-255
P08.n.02	Serial port speed	bps	9600	1200 2400 4800 9600 19200 38400 57600 115200
P08.n.03	Data format		8 bit – n	8 bit –no par. 8 bit, odd 8 bit, even 7 bit, odd 7 bit, even
P08.n.04	Stop bits		1	1-2
P08.n.05	Protocol		Modbus RTU	Modbus RTU Modbus ASCII Modbus TCP
P08.n.06	IP address		192.168.1.1	000.000.000.000 – 255.255.255.255
P08.n.07	Subnet mask		0.0.0.0	000.000.000.000 – 255.255.255.255
P08.n.08	IP port		1001	0-32000
P08.n.09	Channel function		Slave	Slave Gateway
P08.n.10	Client / server		Server	Client Server
P08.n.11	Remote IP address		000.000.000.000	000.000.000.000 – 255.255.255.255
P08.n.12	Remote IP port		1001	0-32000
P08.n.13	IP gateway address		000.000.000.000	000.000.000.000 – 255.255.255.255

Note: This menu is divided into 2 sections for communication channels COM1...2. The front IR communication port has fixed communication parameters, so no setup is required.

P08.n.01 – Serial (node) address of the communication protocol.

P08.n.02 – Communication port transmission speed.

P08.n.03 – Data format. 7 bit settings can be used for ASCII protocol only.

P08.n.04 – Stop bit number.

P08.n.05 – Select communication protocol.

P08.n.06...P08.n.08 – TCP-IP coordinates for Ethernet interface applications. Not used with other types of communication modules.

P08.n.09 – Role of the communication channel. Slave = Slave Modbus. Gateway = Bridge between the Ethernet and serial ports.

P08.n.10 – Enabling TCP-IP connection. **Server** = Awaits connection from a remote client. **Client** = Establishes a connection to the remote server.

P08.n.11...P08.n.13 – Coordinates for the connection to the remote server when P08.n.10 is set to Client.

M9 – AUTOMATIC TEST		UoM	Default	Range
P09.01	Enable automatic TEST		OFF	OFF / ON
P09.02	Time interval between TESTS	dd	7	1-60
P09.03	Enable TEST on Monday		ON	OFF / ON
P09.04	Enable TEST on Tuesday		ON	OFF / ON
P09.05	Enable TEST on Wednesday		ON	OFF / ON
P09.06	Enable TEST on Thursday		ON	OFF / ON
P09.07	Enable TEST on Friday		ON	OFF / ON
P09.08	Enable TEST on Saturday		ON	OFF / ON
P09.09	Enable TEST on Sunday		ON	OFF / ON
P09.10	TEST start time	h	12	00-23
P09.11	TEST start minutes	min	00	00-59
P09.12	TEST duration	min	10	1-600
P09.13	Automatic TEST with load switching		OFF	OFF Load Dummy load

P09.01 – Enable periodic test. This parameter can be changed directly on the front panel without using setup (see chapter Automatic Test) and its current state is shown on the relevant page of the display.
P09.02 – Time interval between one periodic test and the next. If the test isn't enabled the day the period expires, the interval will be extended to the next enabled day.
P09.03...P09.09 – Enables the automatic test in each single day of the week. OFF means the test will not be performed on that day. Warning!! The calendar clock must be set to the right date and time.
P09.10 – P09.11 – Sets the time (hour and minutes) when the periodic test starts. Warning!! The calendar clock must be set to the right date and time.
P09.12 – Duration in minutes of the periodic test.
P09.13 – Load management during the periodic test: **OFF** = The load will not be switched. **Load** = Enables switching the load from the mains to the generator. **Dummy load** = The dummy load is switched in, and the system load will not be switched.

M10 – PROGRAMMABLE INPUTS (INPn, n=1...14)		UoM	Default	Range
P10.n.01	INPn input function		(various)	(see input functions table)
P10.n.02	Function index (x)		OFF	OFF / 1...99
P10.n.03	Contact type		NO	NO/NC
P10.n.04	Closing delay	s	0.05	0.00-600.00
P10.n.05	Opening delay	s	0.05	0.00-600.00

Note: This menu is divided into 14 sections that refer to 6 possible digital inputs INP1...INP6, which can be managed by the ATL 6... other 8 inputs can be managed by the ATL 610 using the expansion module EXP....
P10.n.01 – Selects the functions of the selected input (see programmable inputs functions table).
P10.n.02 – Index associated with the function programmed in the previous parameter. Example: If the input function is set to Cxx commands menu execution, and you want this input to perform command C.07 in the commands menu, P10.n.02 should be set to value 7.
P10.n.03 – Select type of contact: NO (Normally Open) or NC (Normally Closed).
P10.n.04 – Contact closing delay for selected input.

M11 – PROGRAMMABLE OUTPUTS (OUT1...15)		UoM	Default	Range
P11.n.01	Output function OUTn		(various)	(see Output functions table)
P11.n.02	Function index (x)		1	OFF / 1...99
P11.n.03	Normal/reverse output		NOR	NOR / REV

Note: This menu is divided into 15 sections that refer to 7 possible digital outputs OUT1... OUT7 managed by the ATL 6... , and other 9 inputs managed by the ATL 610 using the expansion EXP....
P11.n.01 – Selects the functions of the selected output (see programmable outputs functions table).
P11.n.02 – Index associated with the function programmed in the previous parameter. Example: If the output function is set to Alarm Axx, and you want this output to be energized for alarm A16, then P11.n.02 should be set to value 16.
P11.n.03 – Sets the state of the output when the function associated with the same is inactive: **NOR** = output de-energized, **REV** = output energized.

M12 – MISCELLANEOUS		UoM	Default	Range
P12.01	Service interval in hours	h	OFF	OFF / 1...99999
P12.02	Service interval operations		OFF	OFF / 1...99999
P12.03	Operative mode output		OFF	OFF O M M – O A ...

P12.01 – Defines the programmed maintenance period, in hours. If set to OFF, this service interval is disabled.
P12.02 – Defines the programmed maintenance period, in number of operations. If set to OFF, this service interval is disabled.
P12.03 – Defines in which operating mode the programmed output with the Operating mode function is enabled. For example, if this parameter is programmed for M – O, the Operating mode output will be enabled when the ATL 6... is in MAN or OFF mode.

M13 – LIMIT THRESHOLDS (LIMn, n = 1...4)		UoM	Default	Range
P13.01	Reference measurement		OFF	OFF- (List measure) CNTx
P13.02	Reference measurement source		OFF	OFF LINE 1 LINE 2
P13.03	Channel no. (x)		1	OFF/1...99
P13.04	Function		Max	Max Min Min+Max
P13.05	Upper threshold		0	-9999 - +9999
P13.06	Multiplier		x1	/100 – x10k
P13.07	Delay	s	0	0.0 – 600.0
P13.08	Lower threshold		0	-9999 - +9999
P13.09	Multiplier		x1	/100 – x10k
P13.10	Delay	s	0	0.0 – 600.0
P13.11	Idle state		OFF	OFF-ON
P13.12	Memory		OFF	OFF-ON

Note: this menu is divided into 4 sections for the limit thresholds LIM1...4.

P13.01 – Defines to which ATL 6... measurements the limit threshold applies.

P13.02 – If the reference measurement is an electrical measurement, this defines if it refers to the generator.

P13.03 – If the reference measurement is an internal multichannel measurement, the channel is defined.

P13.04 – Defines the operating mode of the limit threshold. **Max** = LIMn enabled when the measurement exceeds P13.n.03. P13.n.06 is the reset threshold. **Min** = LIMn enabled when the measurement is less than P13.n.06. P13.n.03 is the reset threshold. **Min+Max** = LIMn enabled when the measurement is greater than P13.n.03 or less than P13.n.06.

P13.05 and P13.06 – Define the upper threshold, obtained by multiplying value P13.n.03 by P13.n.04.

P13.07 – Upper threshold intervention delay.

P13.08, P13.09, P13.10 – As above, with reference to the lower threshold.

P13.11 – Inverts the state of limit LIMn.

P13.12 – Defines whether the threshold remains memorized and is reset manually through command menu (ON) or if it is reset automatically (OFF).

M14 – COUNTERS (CNTn, n = 1...4)		UoM	Default	Range
P14.01	Count source		OFF	OFF ON INPx OUTx LIMx REMx
P14.02	Channel number (x)		1	OFF/1...99
P14.03	Multiplier		1	1-1000
P14.04	Divisor		1	1-1000
P14.05	Description of the counter		CNTn	(Text – 16 characters)
P14.06	Unit of measurement		Umn	(Text – 6 characters)
P14.07	Reset source		OFF	OFF-ON- INPx-OUTx- LIMx-REMx
P14.08	Channel number (x)		1	OFF/1-99

Note: this menu is divided into 4 sections for counters CNT1...4.

P14.01 – Signal that increments the count (on the output side). This may be a threshold is exceeded (LIMx), an external input is enabled (INPx), etc. ON = Counts the number of device power ups.

P14.01 – Channel number x with reference to the previous parameter.

P14.01 – Multiplier K. The counted pulses are multiplied by this value before being displayed.

P14.01 – Divisional K. The counted pulses are divided by this value before being displayed. If other than 1, the counter is displayed with 2 decimal points.

P14.01 – Counter description. 16-character free text.

P14.01 – Counter unit of measurement. 6-character free text.

P14.01 – Signal that resets the count. As long as this signal is enabled, the count remains zero.

P14.01 – Channel number x with reference to the previous parameter.

M15 – USER ALARMS (UAn, n=1...4)		UoM	Default	Range
P15.n.01	Alarm source		OFF	OFF INPx OUTx LIMx REMx
P15.n.02	Channel number (x)		1	OFF/1...99
P15.n.03	Text		UAn	(Text – 20 characters)
P15.n.04	Breaker opening		OFF	OFF 1 2 1+2

Note: this menu is divided into 4 sections for user alarms UA1...UA4.

P15.01 – Defines the digital input or internal variable that generates the user alarm when it is activated.

P15.02 – Channel number x with reference to the previous parameter.

P15.03 – Free text that appears in the alarm window.

P15.04 – Line to open in case of this alarm.

Example of application: User alarm UA3 must be generated by the closing of input INP5, and must display the message 'Panels open'.

In this case, set the section of menu 3 (for alarm UA3):

P15.3.01 = INPx

P15.3.02 = 5

P15.3.03 = "Panels open"

ALARMS

- When an alarm is generated, the display will show an alarm icon, the code and the description of the alarm in the language selected.



- If the navigation keys in the pages are pressed, the pop-up window showing the alarm indications will disappear momentarily, to reappear again after a few seconds.
- The red LED near the alarm icon on the front panel will flash when an alarm is active. In the area of synoptic on the display remains a flashing icon that represents the type of the alarm.
- Alarms can be reset by pressing the key OFF.
- If the alarm cannot be reset, the problem that generated the alarm must still be solved.
- In the case of one or more alarms, the behaviour of the ATL 6... depends on the properties settings of the active alarms.

ALARM PROPERTIES

Various properties can be assigned to each alarm, including user alarms (User Alarms, Uax):

- **Enabled alarm** – General enabling of the alarm. If the alarm isn't enabled, it's as if it doesn't exist.
- **Only AUT** – The alarm can be generated only when ATL 6... is in AUT operating mode.
- **Retained alarm** – Remains in the memory even if the cause of the alarm has been eliminated.
- **Global alarm** – Activates the output assigned to this function.
- **BRK1 Locked** – When the alarm is active, no commands are sent to breaker 1.
- **BRK2 Locked** – Like previous property, referred to breaker 2.
- **Siren** – Activates the output assigned to this function, as configured in the alarm table.
- **Inhibition** – The alarm can be temporarily disabled by activating an input that can be programmed with the Inhibit alarms function.
- **No LCD** – The alarm is managed normally, but not shown on the display.

ALARM TABLE

CODE	DESCRIPTION	Enabled	Only AUT	Retained	Glob. Al.	Lock BRK1	Lock BRK2	Siren	Inhibit.	No LCD
A01	Battery voltage too low	●		●	●			●		
A02	Battery voltage too high	●		●	●			●		
A03	LINE 1 circuit breaker timeout	●	●	●	●	●		●		
A04	LINE 2 circuit breaker timeout	●	●	●	●		●	●		
A05	LINE 1 wrong phase sequence	●		●	●			●		
A06	LINE 2 wrong phase sequence	●		●	●			●		
A07	Timeout load not powered	●	●		●			●		
A08	External battery charger failure									
A09	Emergency	●		●	●			●		
A10	LINE 1 breaker protection trip	●		●	●	●	●	●		
A11	LINE 2 breaker protection trip	●		●	●	●	●	●		
A12	LINE 1 generator not available	●			●			●		
A13	LINE 2 generator not available	●			●			●		
A14	LINE 1 maintenance hours elapsed	●								
A15	LINE 2 maintenance hours elapsed	●								
A16	LINE 1 Maintenance operations	●								
A17	LINE 2 Maintenance operations	●								
A18	Auxiliary voltage failure	●			●			●		

Note. The alarm's properties can be modified from the menu M16 ALARMS.

ALARMS DESCRIPTION

COD	DESCRIPTION	ALARM EXPLANATION
A01	Battery voltage too low	Battery voltage beyond the lowest threshold for a time exceeding the time set
A02	Battery voltage too high	Battery voltage beyond the highest threshold for a time exceeding the time set
A03	LINE 1 circuit breaker timeout	The LINE 1 changeover device did not perform the opening or closing operation within the max. time set. After alarm generation, the opening or closing command is inhibited. Alarms are generated only if at least one of the two power sources is present, i.e. if it is higher than the minimum thresholds programmed
A04	LINE 2 circuit breaker timeout	The LINE 2 changeover device did not perform the opening or closing operation within the max. time set. After alarm generation, the opening or closing command is inhibited. Alarms are generated only if at least one of the two power sources is present, i.e. if it is higher than the minimum thresholds programmed
A05	LINE 1 wrong phase sequence	The phase sequence recorded on LINE 1 does not correspond to the one programmed
A06	LINE 2 wrong phase sequence	The phase sequence recorded on LINE 2 does not correspond to the one programmed
A07	Load not powered timeout	The load has been without power for a time longer than the maximum specified with P05.11, either because both source lines were absent or because both the breakers remained open
A08	External battery charger failure	Alarm generated by an input with the function Battery charger alarm, while at least one of the source lines source is in the correct limits
A09	Emergency	Alarm generated by the opening of the external input with Emergency function. Both breakers will be opened
A10	LINE 1 breaker protection trip	LINE 1 breaker has tripped because of an overcurrent protection, signalled by activation of the input with function LINE 1 breaker protection trip
A11	LINE 2 breaker protection trip	LINE 2 breaker has tripped because of an overcurrent protection, signalled by activation of the input with function LINE 2 breaker protection trip
A12	LINE 1 generator not available	Alarm generated by the input Generator LINE 1 ready or when the generator voltage is not ready after P05.11 time from the start generator command
A13	LINE 2 generator not available	Alarm generated by the input Generator LINE 2 ready or when the generator voltage is not ready after P05.11 time from the start generator command
A14	Maintenance hours LINE 1	Alarm generated when the maintenance hours for LINE 1 arrive to zero. See M12 menu. Use the command menu to restore the working hours and reset the alarm
A15	Maintenance hours LINE 2	Alarm generated when the maintenance hours for LINE 2 arrive to zero. See M12 menu. Use the command menu to restore the working hours and reset the alarm
A16	Maintenance operations LINE 1	Alarm generated when the number of operations for LINE 1 reach the value sated in the menu M12. Use the menu commands to restore the function and reset the alarm
A17	Maintenance operations LINE 2	Alarm generated when the number of operations for LINE 2 reach the value sated in the menu M12. Use the menu commands to restore the function and reset the alarm
A18	Auxiliary voltage failure	The device that manages the draw of auxiliary power supply from one of the available lines (like LOVATO Electric ATLDPS1) signals a failure or improper operation
UA1 ... UA4	User alarms	The user alarm is generated by enabling the variable or associated input in menu M15

PROGRAMMABLE INPUT FUNCTIONS TABLE

- The following table shows all the functions that can be attributed to the INPn programmable digital inputs.
- Each input can be set for an reverse function (NA – NC), delayed energizing or de-energizing at independently set times.
- Some functions require another numeric parameter, defined in the index (x) specified by parameter **P10.n.02**.
- See menu M10 Programmable inputs for more details.

FUNCTION	DESCRIPTION
Disabled	Input disabled
Configurable	Free user configuration
LINE 1 feedback	Auxiliary contact informing the ATL... of the open/closed status of LINE 1 circuit breaker. If this signal is not connected, ATL... considers the status of the circuit breaker corresponding to the status of control outputs
LINE 2 feedback	Like Fb.1, referred to LINE 2
LINE 1 trip	When the contact is closed, it generates an alarm of LINE 1 circuit breaker protection intervention
LINE 2 trip	When the contact is closed, it generates an alarm of LINE 2 circuit breaker protection intervention
Remote changeover	When closed, causes changeover to secondary line even if main line voltage is within limits. It can be used to switch the priority between LINE 1 and LINE 2. The secondary line circuit breaker remains activated until this line remains within limits. Can be used for EJP function
Inhibit Return to main line	In AUT mode, when closed, it inhibits the return to main line after it has reverted to the limit range. It is used to prevent the second power cut out due to re-transfer from occurring automatically at an unforeseeable time
Remote start OFF load (Start Generator)	In AUT mode, when closed, it causes the generator to start after the delay specified by P05.14. It can be used for EJP function
Emergency stop	NC contact which, if open, causes both circuit breakers to open and generates alarm A09
Generator ready 1	When closed it signals that the generator connected to LINE 1 is available for use. If this signal is missing, alarm A12 is generated
Generator ready 2	When closed it signals that the generator connected to LINE 2 is available for use. If this signal is missing, alarm A13 is generated
External LINE 1 control	LINE 1 voltage control signal from external device. Enabled indicates the voltage is within the limits
External LINE 2 control	LINE 2 voltage control signal from external device. Enabled indicates the voltage is within the limits
Load to LINE 1	It allows load connection on line 1, in addition to internal controls.
Load to LINE 2	Like previous, referred to LINE 2
Delay 1 bypass	Reset the delay presence on LINE 1
Delay 2 bypass	Reset the delay presence on LINE 2
Keyboard lock	If closed, it locks all the functions from front keypad except measure viewing
Settings lock	If closed, it locks the access to setup menus
Lock remote control	If closed, locks write access through serial interface ports
Reset Siren	Disable the siren
Start automatic test	Starts the periodic test managed by an external timer
Battery charger fail	With the input enabled, generates the alarm A08 External battery charger fault. The alarm is only generated when there is mains voltage
Alarms inhibition	If enabled, disables the alarms that have the property Inhibit alarms activated
Alarms reset	Resets the retained alarms for which the condition that triggered the same has ceased
Command menu C(xx)	Executes the command from the commands menu defined by index parameter (xx)
Key OFF simulation	Closing the input is the equivalent of pressing the key
Key MAN simulation	Closing the input is the equivalent of pressing the key
Key AUT simulation	Closing the input is the equivalent of pressing the key
Automatic test inhibition	Inhibits the automatic test
LED Test	Makes all the LEDs on the front panel flash
Breaker 1 closing	Close the breaker 1 in manual mode
Breaker 1 opening	Open the breaker 1 in manual mode
Breaker 1 toggling	Toggle the breaker 1 in manual mode
Breaker 2 closing	Close the breaker 2 in manual mode
Breaker 2 opening	Open the breaker 2 in manual mode
Breaker 2 toggling	Toggle the breaker 2 in manual mode
Auxiliary voltage ready	NC contact which, if open, it generates alarm A18. Used for example in conjunction with the alarm relay of ATLDPS1 device
Revision	In case of revision of the system, if enabled, causes: <ul style="list-style-type: none"> - Switch in OFF mode; - Disabling alarms feedback A03 - A04; - Excitement of any undervoltage coils
Standby aut	Used in G-G configuration, in automatic mode when the input is activated it opens the breakers and after the cooling time it switches OFF the generators. This mode is displayed with the word "Standby" in the status bar and with a rapid flashing of the green LED which normally indicates the AUT status. In AUT-standby the alarm A07 of load not powered is ignored
Rotation inhibition	In G-G configuration it blocks the rotation of the groups
Activation Primary line	In G-G configuration, the load will be powered by genset 1
Activation Secondary line	In G-G configuration, the load will be powered by genset 2
Change priority line	It Reverses the priority between the 2 lines

OUTPUT FUNCTIONS TABLE

- The following table shows all the functions that can be attributed to the OUTn programmable digital inputs.
- Each output can be configured so it has a normal or reverse (NOR or REV) function.
- Some functions require another numeric parameter, defined in the index (x) specified by parameter **P11.n.02**.
- See menu M11 Programmable outputs for more details.

FUNCTION	DESCRIPTION
Disabled	Output disabled
Configurable	User configuration free
LINE 1 close	Command to close LINE 1 contactor/circuit breaker
LINE 1 open	Command to open LINE 1 circuit breaker and eventual spring load
LINE 2 close	Command to close LINE 2 contactor/circuit breaker
LINE 1 open	Command to open LINE 1 circuit breaker and eventual spring load
LINE 1+2 open	Open both circuit breakers/neutral position of motorized changeover
MIN V coil line 1	Controls the minimum voltage coil, opening breaker 1 before the spring load cycle
MIN V coil line 2	Controls the minimum voltage coil, opening breaker 2 before the spring load cycle
LINE 1 generator control	Start /Stop remote control of LINE 1 generator
LINE 2 generator control	Start /Stop remote control of LINE 2 generator
ATS ready	ATS in automatic mode, without alarms, ready to switch
Global alarm	Output enabled in the presence of any alarm with the Global alarm propriety enabled
LINE 1 voltage ok	Output energized when there are all conditions to be able to connect the load to the LINE 1
LINE 2 voltage ok	Output energized when there are all conditions to be able to connect the load to the LINE 2
Siren	Powers the siren
Operating mode	Output energized when the ATL 6... is in one of the modes set with parameter P12.03
OFF mode	Energized when the ATL 6... is OFF
MAN mode	Energized when the ATL 6... is in MANUAL mode
AUT mode	Energized when the ATL 6... is in AUT mode
REM(x)	Output controlled by remote variable REMx (x=1..16)
LIM(x)	Output controlled by the state of the limit threshold LIM(x) (x=1..4) defined by the index parameter
Dummy load	Output enabled when you run the self-test with dummy load
Load connected to line 1	Breaker 1 closed
Load connected to line 2	Breaker 2 closed
Alarms A01-Axx	Output energized with alarm Axx is enabled (xx=1...alarms number)
Alarms UA1...Uax	Output energized with alarm Uax is enabled (x=1...4)
Standby aut	Used in G-G configuration, in automatic mode when the input is activated it opens the breakers and after the cooling time it switches OFF the generators. This mode is displayed with the word "Standby" in the status bar and with a rapid flashing of the green LED which normally indicates the AUT status. In AUT-standby the alarm A07 of load not powered is ignored
Rotation inhibition	In G-G configuration it blocks the rotation of the groups
Activation Primary line	In G-G configuration, the load will be powered by genset 1
Activation Secondary line	In G-G configuration, the load will be powered by genset 2
Change priority line	It Reverses the priority between the 2 lines

COMMANDS MENU

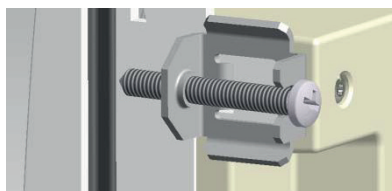
- The commands menu allows executing some occasional operations like reading peaks resetting, counters clearing, alarms reset, etc.
- If the Advanced level password has been entered, then the commands menu allows executing the automatic operations useful for the device configuration.
- The following table lists the functions available in the commands menu, divided by the access level required.

CODE	CONTROL	ACCESS LEVEL	DESCRIPTION
C01	Reset maintenance 1	Advanced	Reset maintenance interval hours 1
C02	Reset maintenance 2	Advanced	Reset maintenance interval hours 2
C03	Reset maintenance operations 1	Advanced	Reset maintenance interval operations 1
C04	Reset maintenance operations 2	Advanced	Reset maintenance interval operations 2
C05	Reset generic counters CNTx	User	Resets generic counters CNTx
C06	Reset LIMx limits	User	Reset limits LIMx variable status
C07	Reset hours counter LINE 1/LINE 2	Advanced	Reset counter of presence / absence of LINE 1 and LINE 2 in the respective limits
C08	Reset hours counter brk 1/ brk 2	Advanced	Reset counter opening / closing breakers 1 and 2
C09	Reset breaker operation	Advanced	Reset braker operations counter
C10	Reset events list	Advanced	Resets the list of historical events
C11	Reset default parameters	Advanced	Resets all the parameters in the setup menu to the default values
C12	Save parameters in backup memory	Advanced	Copies the parameters currently set to a backup for restoring in the future
C13	Reload parameters from backup memory	Advanced	Transfers the parameters saved in the backup memory to the active settings memory
C14	Forced I/O	Advanced	Enables test mode so you can manually energize any output. Warning! In this mode the installer alone is responsible for the output commands
C15	Reset A03 – A04 alarms	Advanced	Restores the opening and closing command of the commutation devices after generating alarms A03 – A04
C16	Simulate line failure	Advanced	The device moves to AUT mode and simulates the lack of the priority line for one minute. It then switches the load with the automatic procedure as programmed

- Once the required command has been selected, press ✓ to execute it. The device will prompt for a confirmation. Pressing ✓ again, the command will be executed.
- To cancel the command execution press RESET.
- To quit command menu press RESET.

INSTALLATION

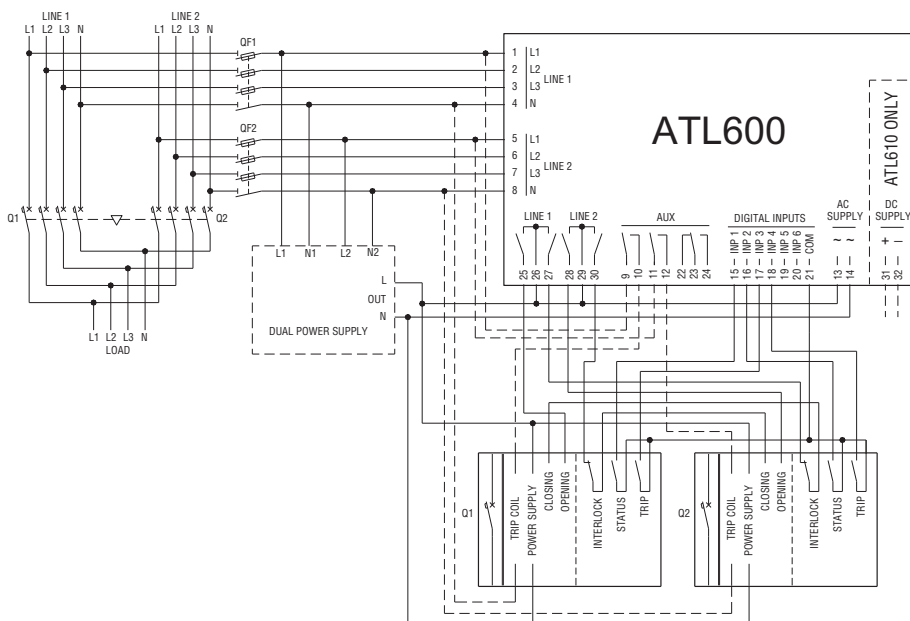
- ATL 6... is designed for flush-mount installation. With proper mounting, it guarantees with the optional gasket IP65 front protection.
- Insert the device into the panel hole, making sure that the gasket, if available, is properly positioned between the panel and the device front frame.
- Make sure the tongue of the custom label doesn't get trapped under the gasket and break the seal. It should be positioned inside the board.
- From inside the panel, for each four of the fixing clips, position the clip in its square hole on the housing side, then move it backwards in order to position the hook.



- Repeat the same operation for the four clips.
- Tighten the fixing screw with a maximum torque of 0.5Nm.
- In case it is necessary to dismount the system, repeat the steps in opposite order.
- For the electrical connection see the wiring diagrams in the dedicated chapter and the requirements reported in the technical characteristics table.

WIRING DIAGRAMS

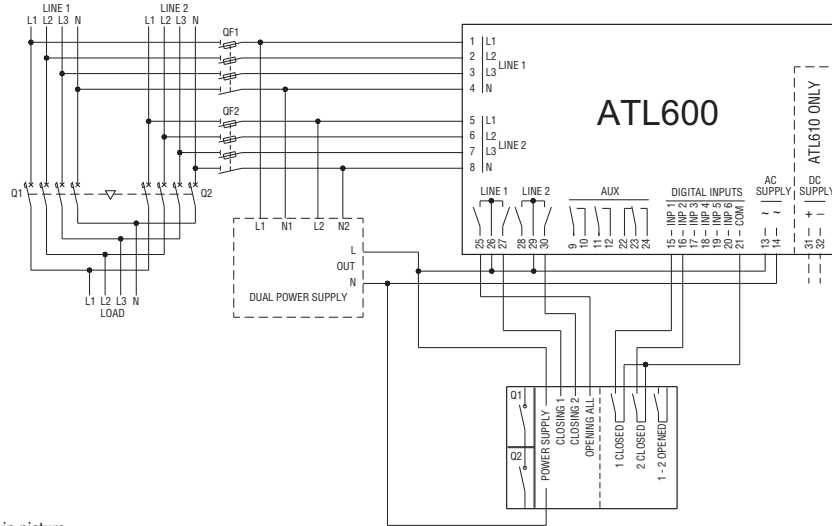
Control of motorised circuit breakers



Parameter setting for the wiring diagram in picture

Terminal	Parameter code	Setting
---	P05.07	Breaker pulse or breaker continuous
15(INP1)	P10.01.01	LINE 1 breaker closed (Feedback 1)
16(INP2)	P10.02.01	LINE 2 breaker closed (Feedback 2)
17(INP3)	P10.03.01	LINE 1 circuit breaker protection (Trip 1)
18(INP4)	P10.04.01	LINE 2 circuit breaker protection (Trip 2)
25(OUT4)	P11.04.01	Open LINE 1 contactor/circuit breaker
27(OUT5)	P11.05.01	Close LINE 1 contactor/circuit breaker
28(OUT6)	P11.06.01	Open LINE 2 contactor/circuit breaker
30(OUT7)	P11.07.01	Close LINE 2 contactor/circuit breaker

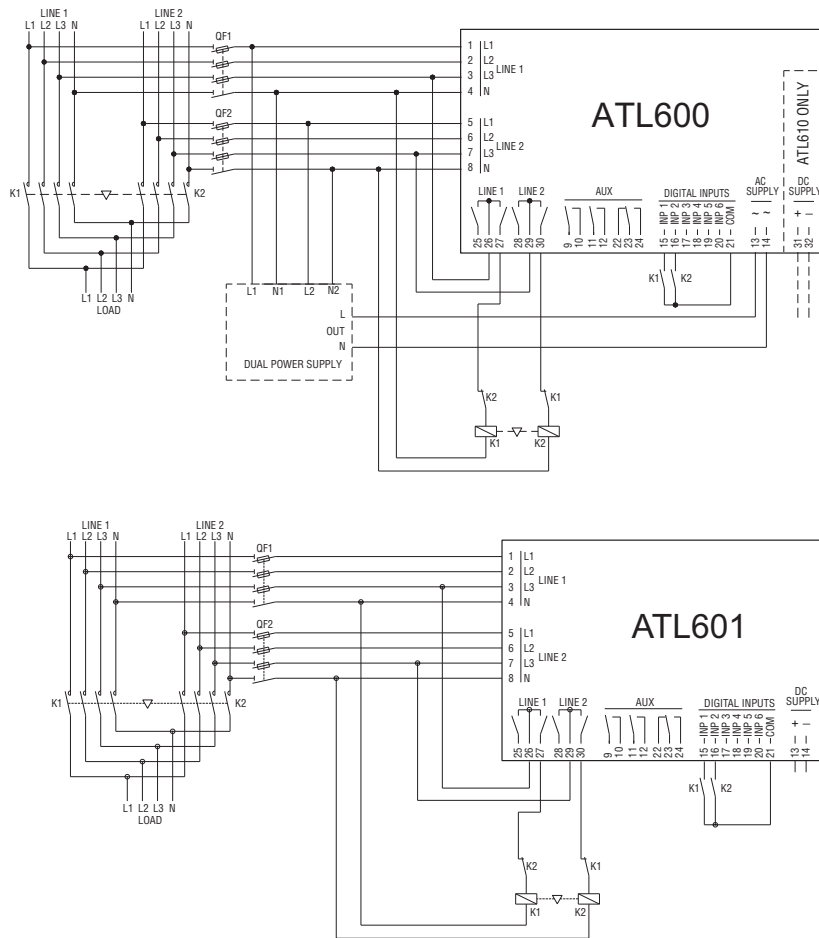
Control of motorized changeover switch



Parameter setting for the wiring diagram in picture

Terminal	Parameter code	Setting
---	P05.07	Changeover pulse or Changeover continuous
15(INP1)	P10.01.01	LINE 1 breaker closed (Feedback 1)
16(INP2)	P10.02.01	LINE 2 breaker closed (Feedback 2)
25(OUT4)	P11.04.01	Open LINE 1 / LINE 2
27(OUT5)	P11.05.01	Close LINE 1 contactor/circuit breaker
30(OUT7)	P11.07.01	Close LINE 2 contactor/circuit breaker

Control of contactors

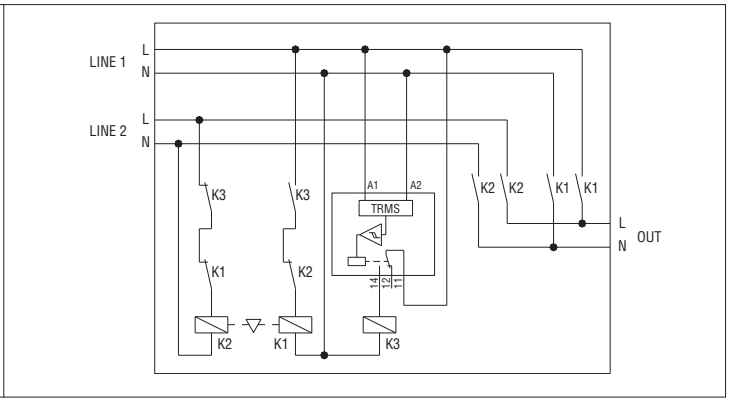
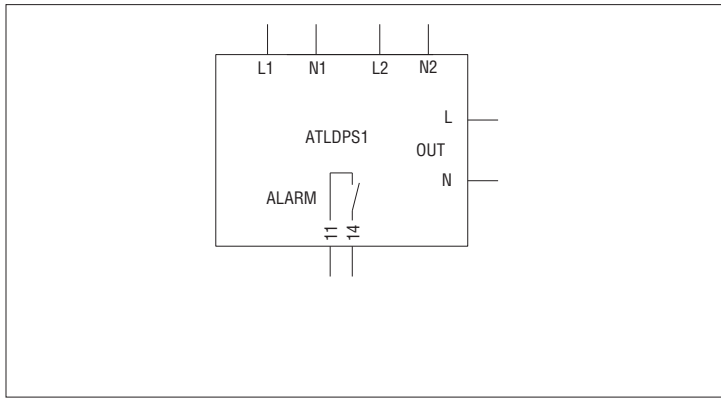


Parameter setting for the wiring diagram in picture

Terminal	Parameter code	Setting
---	P05.07	Contactors
15(INP1)	P10.01.01	LINE 1 breaker closed (Feedback 1)
16(INP2)	P10.02.01	LINE 2 breaker closed (Feedback 2)
27(OUT5)	P11.05.01	Close LINE 1 contactor/circuit breaker
30(OUT7)	P11.07.01	Close LINE 2 contactor/circuit breaker

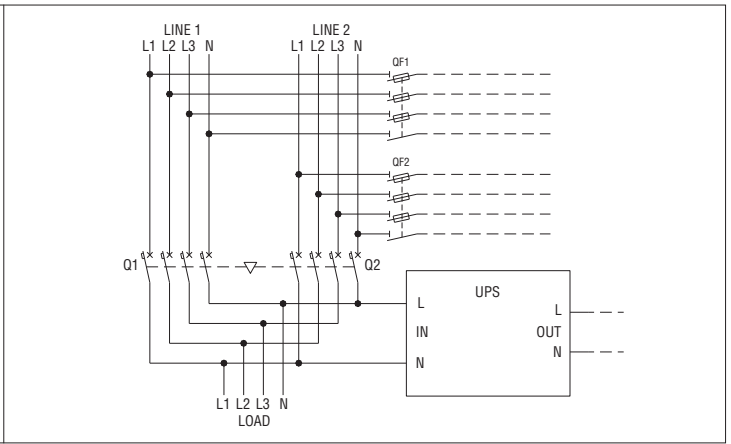
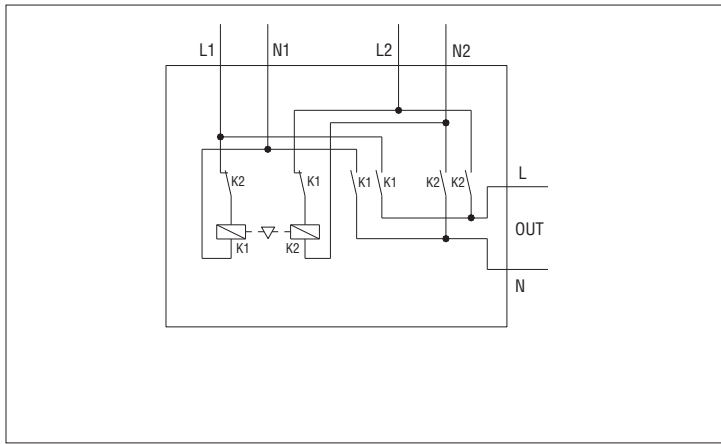
Dual power supply implementation with auxiliary voltage control by LOVATO Electric dual power supply relay code ATLDPS1 (suggested solution)

Dual Power Supply implementation with auxiliary voltage control by voltage monitoring relay

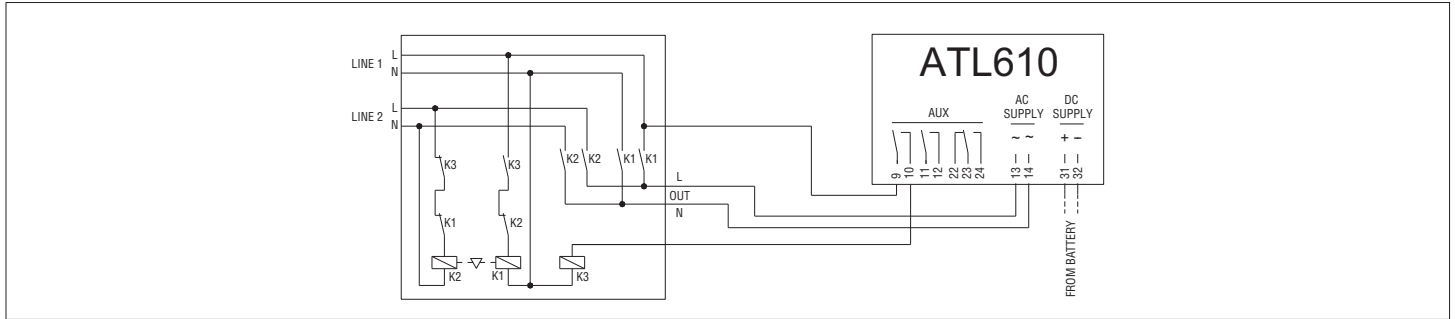


Dual Power Supply implementation with auxiliary supply selection by electromechanical relays (don't use in gen-set applications)

Auxiliary power supply from UPS

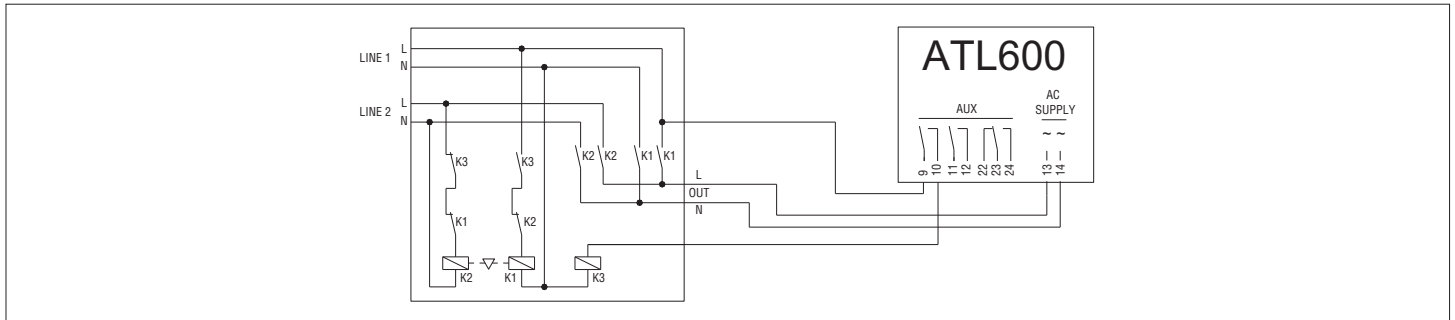


Execution recommended for Gen-set applications
 LINE 2 coming from generator
 Auxiliary voltage control by ATL 610 + optional AC Dual Power Supply (battery supply available)



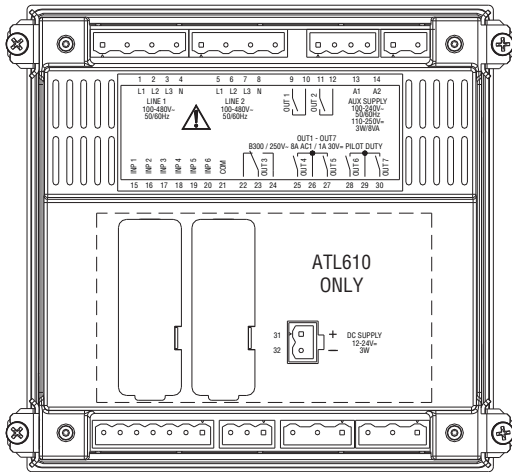
- Note:
- The output on terminals 9 - 10 (OUT 1) (parameter P11.01.01) must be set with function LINE 1 status.
 - Set output Generator Control 2 so that when ATL 610 is not powered, gen-set must start.

Execution recommended for Gen-set applications
 LINE 2 coming from generator
 Auxiliary voltage control by ATL 600 + optional AC Dual Power Supply (battery supply not available)

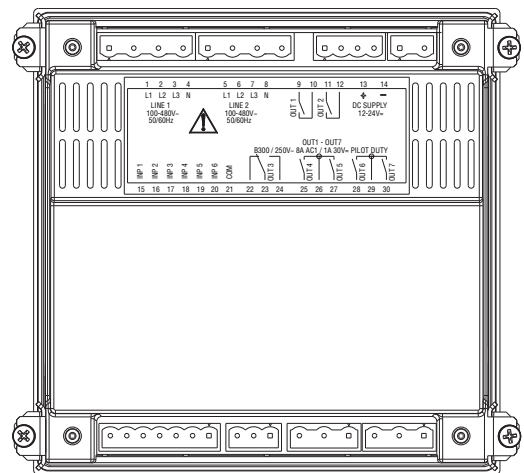


- Note:
- The output on terminals 9 - 10 (OUT 1) (parameter P11.01.01) must be set with function LINE 1 status.
 - Set output Generator Control 2 so that when ATL 600 is not powered, gen-set must start.

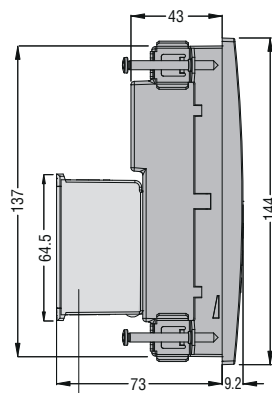
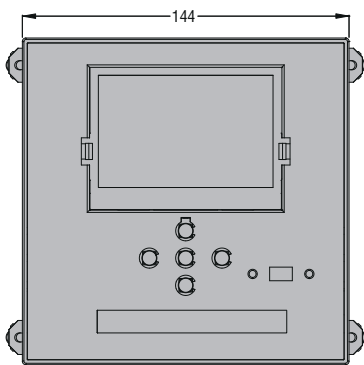
TERMINALS POSITION

ATL 600
ATL 610

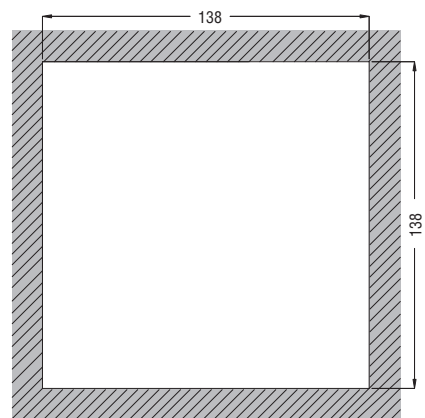
ATL 601



MECHANICAL DIMENSIONS AND FRONT PANEL CUT-OUT [mm]



EXP 10...
(2 max, only for ATL 610)
(2 max, solo ATL 610)



TECHNICAL CHARACTERISTICS

AC Supply : terminals 13, 14 (ATL 600 - ATL 610)

Rated voltage Us	100 - 240V~ 110 - 250V=
Operating voltage range	90 - 264V~ 93.5 - 300V=
Frequency	45 - 66Hz
Power consumption/dissipation	3.8W - 9.5VA
Immunity time for microbreakings with no expansion modules	≤50ms (110V~) ≤250ms (220V~)
Immunity time for microbreakings with 2 expansion modules	≤25ms (110V~) ≤120ms (220V~)
Recommended fuses	F1A (fast)

DC supply: terminals 31, 32 (ATL 610 only), terminals 13, 14 (ATL 601)

Battery rated voltage	12 or 24V= indifferently
Operating voltage range	7.5...33V=
Maximum current consumption	230mA at 12V= and 120mA at 24V=
Maximum power consumption/dissipation	2.9W

LINE 1 and LINE 2 voltage inputs: terminals 1-4 and 5-8

Maximum rated voltage Ue	100...480V~ L-L (277VAC L-N)
Measuring range	50...576V~ L-L (333V~ L-N)
Frequency range	45-65Hz
Measuring method	True RMS
Measuring input impedance	> 0.5MΩ L-N > 1.0MΩ L-L
Wiring mode	Single-phase, two-phase, three-phase with or without neutral or balanced three-phase system

Measuring accuracy

LINE 1 and LINE 2 voltage	±0.25% f.s. ±1digit
---------------------------	---------------------

Real time clock

Energy storage	Back-up capacitors
Operating time without supply voltage	About 5 minutes

Digital inputs: terminals 15 - 20

Input type	Negative
Current input	≤8mA
Input "low" voltage	≤2.2
Input "high" voltage	≥3.4
Input delay	≥50ms

OUT1 and OUT 2 outputs: terminals 9,10 e 11,12

Contact type	2 x 1 NO
Rated current	AC1 - 8A 250V~ DC1 - 8A 30V= AC15 -1.5A 250V~
UL Rating	B300 30V= 1A Pilot Duty
Max rated voltage	300V~
Mechanical / electrical endurance	1x10 ⁷ / 1x10 ⁵ ops

OUT3 output: terminals 22, 23, 24

Contact type	1 changeover
Rated current	AC1 - 8A 250V~ DC1 - 8A 30V= AC15 -1.5A 250V~
UL Rating	B300 30V= 1A Pilot Duty
Max rated voltage	300V~
Mechanical / electrical endurance	1x10 ⁷ / 1x10 ⁵ ops

OUT4 and OUT 5 outputs: terminals 25,26,27

Contact type	2 x 1 NO + contact common
Rated current	AC1 - 8A 250V~ DC1 - 8A 30V= AC15 -1.5A 250V~
UL Rating	B300 30V= 1A Pilot Duty
Max rated voltage	300V~
Mechanical / electrical endurance	1x10 ⁷ / 1x10 ⁵ ops
Maximum current at contact common	10A

OUT6 and OUT 7 outputs: terminals 28,29,30

Contact type	2 x 1 NO + contact common
Rated current	AC1 - 8A 250V~ DC1 - 8A 30V= AC15 -1.5A 250V~
UL Rating	B300 30V= 1A Pilot Duty
Max rated voltage	300V~
Mechanical / electrical endurance	1x10 ⁷ / 1x10 ⁵ ops
Maximum current at contact common	10A

Insulation voltage

AC Supply	
Rated insulation voltage Ui	250V~
Rated impulse withstand voltage Uimp	6kV
Power frequency withstand voltage	3kV

LINE 1 and LINE 2 voltage inputs

Rated insulation voltage Ui	480V~
Rated impulse withstand voltage Uimp	6kV
Power frequency withstand voltage	3.8kV

OUT 1 and OUT 2 outputs

Insulation type	Single between OUT 1 and OUT 2 Double towards remaining groups	
Rated insulation voltage Ui	250V~	
	Single	Double
Rated impulse withstand voltage Uimp	4kV	6kV
Power frequency withstand voltage	1.5kV	3kV

OUT 3 output

Rated insulation voltage Ui	250V~
Rated impulse withstand voltage Uimp	6kV
Power frequency withstand voltage	3kV

OUT 4-5 and OUT 6-7 outputs

Type of insulation type	Single between OUT 4-5 and OUT 6-7 Double towards the remaining groups	
Rated insulation voltage Ui	250V~	
	Single	Double
Rated impulse withstand voltage Uimp	4kV	6kV
Power frequency withstand voltage	1.5kV	3kV

Ambient operating conditions

Operating temperature	-30...+70°C
Storage temperature	-30...+80°C
Relative humidity	<80% (IEC/EN 60068-2-78)
Maximum pollution degree	2
Overvoltage category	3
Measurement category	III
Climatic sequence	Z/ABDM (IEC/EN 60068-2-61)
Shock resistance	15g (IEC/EN 60068-2-27)
Vibration resistance	0.7g (IEC/EN 60068-2-6)

Connections

Terminal type	Plug-in / removable
Cable cross section (min... max)	0.2-2.5mm ² (24...12AWG)
UL Rating	
Cable cross section (min... max)	0.75-2.5mm ² (18...12AWG)
Tightening torque	0.56Nm (5lb.in)

Housing

Version	Flush-mount
Material	Polycarbonate
Degree of protection	IP40 on front IP65 with optional gasket IP20 terminals
Weight	600g

Certifications and compliance

Certifications obtained	EAC, ATL 600-610: cULus, RCM
Reference standards	IEC/EN 61010-1, IEC/EN 61010-2-030, IEC/EN 61000-6-2, IEC/EN 61000-6-4, IEC/EN 60947-1, IEC/EN 60947-6-1, UL508, CSA C22.2-N°14
UL Marking	Use 60°C/75°C copper (CU) conductor only AWG Range: 18 - 12 AWG stranded or solid Field Wiring Terminals Tightening Torque: 4.5lb.in Flat panel mounting on a Type 1 enclosure

ⓘ Notice: this product has been designed for environment A. Use of this product in environment B may cause unwanted electromagnetic disturbances in which case the user may be required to take adequate mitigation measures.

LOVATO ELECTRIC S.P.A.

24020 GORLE (BERGAMO) ITALIA
VIA DON E. MAZZA, 12
TEL. 035 4282111
E-mail info@LovatoElectric.com
Web www.LovatoElectric.com



COMMUTATORE AUTOMATICO DI RETE

Manuale operativo

ATL 600 - ATL 601 - ATL 610



WARNING!

- Carefully read the manual before the installation or use.
- This equipment is to be installed by qualified personnel, complying to current standards, to avoid damages or safety hazards.
- Before any maintenance operation on the device, remove all the voltages from measuring and supply inputs and short-circuit the CT input terminals.
- The manufacturer cannot be held responsible for electrical safety in case of improper use of the equipment.
- Products illustrated herein are subject to alteration and changes without prior notice. Technical data and descriptions in the documentation are accurate, to the best of our knowledge, but no liabilities for errors, omissions or contingencies arising there from are accepted.
- A circuit breaker must be included in the electrical installation of the building. It must be installed close by the equipment and within easy reach of the operator. It must be marked as the disconnecting device of the equipment: IEC / EN 61010-1 § 6.11.3.1.
- Clean the device with a soft dry cloth; do not use abrasives, liquid detergents or solvents.



ATTENTION !

- Lire attentivement le manuel avant toute utilisation et installation.
- Ces appareils doivent être installés par un personnel qualifié, conformément aux normes en vigueur en vigueur en matière d'installations, afin d'éviter de causer des dommages à des personnes ou choses.
- Avant toute intervention sur l'instrument, mettre les entrées de mesure et d'alimentation hors tension et court-circuiter les transformateurs de courant.
- Le constructeur n'assume aucune responsabilité quant à la sécurité électrique en cas d'utilisation impropre du dispositif.
- Les produits décrits dans ce document sont susceptibles d'évoluer ou de subir des modifications à n'importe quel moment. Les descriptions et caractéristiques techniques du catalogue ne peuvent donc avoir aucune valeur contractuelle.
- Un interrupteur ou disjoncteur doit être inclus dans l'installation électrique du bâtiment. Celui-ci doit se trouver tout près de l'appareil et l'opérateur doit pouvoir y accéder facilement. Il doit être marqué comme le dispositif d'interruption de l'appareil : IEC / EN 61010-1 § 6.11.3.1.
- Nettoyer l'appareil avec un chiffon doux, ne pas utiliser de produits abrasifs, détergents liquides ou solvants.



ACHTUNG!

- Dieses Handbuch vor Gebrauch und Installation aufmerksam lesen.
- Zur Vermeidung von Personen- und Sachschäden dürfen diese Geräte nur von qualifiziertem Fachpersonal und unter Befolgung der einschlägigen Vorschriften installiert werden.
- Vor jedem Eingriff am Instrument die Spannungszufuhr zu den Messeingängen trennen und die Stromwandler kurzschließen.
- Bei zweckwidrigem Gebrauch der Vorrichtung übernimmt der Hersteller keine Haftung für die elektrische Sicherheit.
- Die in dieser Broschüre beschriebenen Produkte können jederzeit weiterentwickelt und geändert werden. Die im Katalog enthaltenen Beschreibungen und Daten sind daher unverbindlich und ohne Gewähr.
- In die elektrische Anlage des Gebäudes ist ein Ausschalter oder Trennschalter einzubauen. Dieser muss sich in unmittelbarer Nähe des Geräts befinden und vom Bediener leicht zugänglich sein. Er muss als Trennvorrichtung für das Gerät gekennzeichnet sein: IEC / EN 61010-1 § 6.11.3.1.
- Das Gerät mit einem weichen Tuch reinigen, keine Scheuermittel, Flüssigreinerer oder Lösungsmittel verwenden.



ADVERTENCIA

- Leer atentamente el manual antes de instalar y utilizar el regulador.
- Este dispositivo debe ser instalado por personal cualificado conforme a la normativa de instalación vigente a fin de evitar daños personales o materiales.
- Antes de realizar cualquier operación en el dispositivo, desconectar la corriente de las entradas de alimentación y medida, y cortocircuitar los transformadores de corriente.
- El fabricante no se responsabilizará de la seguridad eléctrica en caso de que el dispositivo no se utilice de forma adecuada.
- Los productos descritos en este documento se pueden actualizar o modificar en cualquier momento. Por consiguiente, las descripciones y los datos técnicos aquí contenidos no tienen valor contractual.
- La instalación eléctrica del edificio debe disponer de un interruptor o disyuntor. Este debe encontrarse cerca del dispositivo, en un lugar al que el usuario pueda acceder con facilidad. Además, debe llevar el mismo marcado que el interruptor del dispositivo (IEC / EN 61010-1 § 6.11.3.1).
- Limpiar el dispositivo con un trapo suave; no utilizar productos abrasivos, detergentes líquidos ni disolventes.



UPOZORNĚNÍ

- Návod se pozorně pročtěte, než začnete regulátor instalovat a používat.
- Tato zařízení smí instalovat kvalifikovaní pracovníci v souladu s platnými předpisy a normami pro předcházení úrazu osob či poškození věcí.
- Před jakýmkoli zásahem do přístroje odpojte měřicí a napájecí vstupy od napětí a zkratujte transformátory proudu.
- Výrobce nenese odpovědnost za elektrickou bezpečnost v případě nevhodného používání regulátoru.
- Výrobky popsané v tomto dokumentu mohou kdykoli projít úpravami či dalším vývojem. Popisy a údaje uvedené v katalogu nemají proto žádnou smluvní hodnotu.
- Spínač či odpojovač je nutno zabudovat do elektrického rozvodu v budově. Musejí být nainstalované v těsné blízkosti přístroje a snadno dostupné pracovníku obsluhy. Je nutno ho označit jako vypínači zařízení přístroje: IEC / EN 61010-1 § 6.11.3.1.
- Přístroj čistěte měkkou utěrkou, nepoužívejte abrazivní produkty, tekutá čistidla či rozpouštědla.



AVERTIZARE!

- Citiți cu atenție manualul înainte de instalare sau utilizare.
- Acest echipament va fi instalat de personal calificat, în conformitate cu standardele actuale, pentru a evita deteriorări sau pierderi.
- Înainte de efectuarea oricărei operațiuni de întreținere asupra dispozitivului, îndepartați toate tensiunile de la intrările de măsurare și de alimentare și scurtcircuitați bornele de intrare CT.
- Producătorul nu poate fi considerat responsabil pentru siguranța electrică în caz de utilizare incorectă a echipamentului.
- Produsele ilustrate în prezentul sunt supuse modificărilor și schimbărilor fără notificare anterioară. Datele tehnice și descrierile din documentație sunt precise, în măsura cunoștințelor noastre, dar nu se acceptă nicio răspundere pentru erorile, omisiunile sau evenimentele neprevăzute care apar ca urmare a acestora.
- Trebuie inclus un disjuncteur în instalația electrică a clădirii. Acesta trebuie instalat aproape de echipament și într-o zonă ușor accesibilă operatorului. Acesta trebuie marcat ca fiind dispozitivul de deconectare al echipamentului: IEC/EN 61010-1 § 6.11.3.1.
- Curățați instrumentul cu un material textil moale și uscat; nu utilizați substanțe abrazive, detergenți lichizi sau solvenți.



ATTENZIONE!

- Leggere attentamente il manuale prima dell'utilizzo e l'installazione.
- Questi apparecchi devono essere installati da personale qualificato, nel rispetto delle vigenti normative impiantistiche, allo scopo di evitare danni a persone o cose.
- Prima di qualsiasi intervento sullo strumento, togliere tensione dagli ingressi di misura e di alimentazione e cortocircuare i trasformatori di corrente.
- Il costruttore non si assume responsabilità in merito alla sicurezza elettrica in caso di utilizzo improprio del dispositivo.
- I prodotti descritti in questo documento sono suscettibili in qualsiasi momento di evoluzioni o di modifiche. Le descrizioni ed i dati a catalogo non possono pertanto avere alcun valore contrattuale.
- Un interruttore o disgiuntore va compreso nell'impianto elettrico dell'edificio. Esso deve trovarsi in stretta vicinanza dell'apparecchio ed essere facilmente raggiungibile da parte dell'operatore. Deve essere marchiato come il dispositivo di interruzione dell'apparecchio: IEC / EN 61010-1 § 6.11.3.1.
- Pulire l'apparecchio con panno morbido, non usare prodotti abrasivi, detergenti liquidi o solventi.



UWAGA!

- Przed użyciem i instalacją urządzenia należy uważnie przeczytać niniejszą instrukcję.
- W celu uniknięcia obrażeń osób lub uszkodzenia mienia tego typu urządzenia muszą być instalowane przez wykwalifikowany personel, zgodnie z obowiązującymi przepisami.
- Przed rozpoczęciem jakichkolwiek prac na urządzeniu należy odłączyć napięcie od wejść pomiarowych i zasilania oraz zewrzeć zaciski przekładnika prądowego.
- Producent nie przyjmuje na siebie odpowiedzialności za bezpieczeństwo elektryczne w przypadku niewłaściwego użytkowania urządzenia.
- Produkty opisane w niniejszym dokumencie mogą być w każdej chwili udoskonalone lub zmodyfikowane. Opisy oraz dane katalogowe nie mogą mieć w związku z tym żadnej wartości umownej.
- W instalacji elektrycznej budynku należy uwzględnić przełącznik lub wyłącznik automatyczny. Powinien on znajdować się w bliskim sąsiedztwie urządzenia i być łatwo osiągalny przez operatora. Musi być oznaczony jako urządzenie służące do wyłączenia urządzenia: IEC / EN 61010-1 § 6.11.3.1.
- Urządzenie należy czyścić miękką szmatką, nie stosować środków ściernych, płynnych detergentów lub rozpuszczalników.



警告!

- 安装或使用前，请仔细阅读本手册。
- 本设备只能由合格人员根据现行标准进行安装，以避免造成损坏或安全危害。
- 对设备进行任何维护操作前，请移除测量输入端和电源输入端的所有电压，并短接 CT 输入端。
- 制造商不负责因设备使用不当导致的电气安全问题。
- 此处说明的产品可能会有变更，恕不提前通知。我们竭力确保本文件中技术数据和说明的准确性，但对于错误、遗漏或由此产生的意外事件概不负责。
- 建筑电气系统中必须装有断路器。断路器必须安装在靠近设备且方便操作人员触及的地方。必须将断路器标记为设备的断开装置：IEC/EN 61010-1 § 6.11.3.1
- 请使用柔软的干布清洁设备；切勿使用研磨剂、洗涤剂或溶剂。



ПРЕДУПРЕЖДЕНИЕ!

- Прежде чем приступать к монтажу или эксплуатации устройства, внимательно ознакомьтесь с содержанием настоящего руководства.
- Во избежание травм или материального ущерба монтаж должен осуществляться только квалифицированным персоналом в соответствии с действующими нормативами.
- Перед проведением любых работ по техническому обслуживанию устройства необходимо обеспечить все измерительные и питающие входные контакты, а также замкнуть входные контакты трансформатора тока (ТТ).
- Производитель не несет ответственность за обеспечение электробезопасности в случае ненадлежащего использования устройства.
- Изделия, описанные в настоящем документе, в любой момент могут подвергнуться изменению или усовершенствованию. Поэтому каталожные данные и описания не могут рассматриваться как действительные с точки зрения контрактов.
- Электрическая сеть здания должна быть оснащена автоматическим выключателем, который должен быть расположен вблизи оборудования в пределах доступа оператора. Автоматический выключатель должен быть промаркирован как отключающее устройство оборудования: IEC / EN 61010-1 § 6.11.3.1.
- Очистку устройства производить с помощью мягкой сухой ткани, без применения абразивных материалов, жидких мощных средств или растворителей.



DİKKAT!

- Montaj ve kullanımdan önce bu el kitabını dikkatlice okuyunuz.
- Bu aparatlar kişilere veya nesnelere zarar verme ihtimaline karşı yürürlükte olan sistem kuma normlarına göre kalifiye personel tarafından monte edilmelidir.
- Aparatı (çihaz) herhangi bir müdahalede bulunmadan önce ölçüm girişlerindeki genilimi kesip akım transformatorlerinede kısa devre yaptırınız.
- Üretici aparatın hatalı kullanımından kaynaklanan elektriksel güvenliğe ait sorumluluk kabul etmez.
- Bu dokümanda tarif edilen ürünler her an evrimlere veya değişimlere açıktır. Bu sebeple katalogdaki tarif ve değerler herhangi bir bağlayıcı değeri haiz değildir.
- Binanın elektrik sisteminde bir anahtar veya şalter bulunmalıdır. Bu anahtar veya şalter operatörün kolaylıkla ulaşabileceği yakın bir yerde olmalıdır. Aparatı (çihaz) devreden çıkartma görevi yapan bu anahtar veya şalterin markası: IEC / EN 61010-1 § 6.11.3.1.
- Aparatı (çihaz) sıvı deterjan veya solvent kullanılarak yumuşak bir bez ile siliniz aşındırıcı temizlik ürünleri kullanmayınız.



INDICE	Pagina	Pagina
Introduzione	26	Blocco tastiera
Descrizione	26	Porta di programmazione IR
Funzione dei tasti frontali	26	Impostazione parametri da PC
LED frontali	26	Impostazione parametri da smartphone o tablet
Modi operativi	27	Impostazione parametri (setup) da pannello frontale
Messa in tensione	27	Tabella dei parametri
Menu principale	27	Allarmi
Accesso tramite password	28	Proprietà degli allarmi
Tabella delle pagine del display	29	Tabella allarmi
Espandibilità	30	Descrizione degli allarmi
Risorse aggiuntive	30	Tabella funzioni ingressi programmabili
Canali di comunicazione	31	Tabella funzioni uscite
Ingressi, uscite, variabili interne, contatori	31	Menu comandi
Soglie limite (LIMx)	31	Installazione
Variabili da remoto (REMx)	31	Schemi di connessione
Allarmi utente (UAX)	31	Disposizione morsetti
Test automatico	32	Dimensioni meccaniche e foratura pannello (mm)
Simulazione mancanza linea prioritaria	32	Caratteristiche tecniche

INTRODUZIONE

Le unità di controllo ATL 6... sono state progettate incorporando lo stato dell'arte delle funzioni richieste per le applicazioni di supervisione e commutazione automatica tra due linee di alimentazione trifase. Le sorgenti possono essere sia reti sia gruppi elettrogeni. Realizzati con un contenitore dedicato di dimensioni compatte, ATL 6... uniscono il moderno design del frontale alla praticità di montaggio. Il display grafico LCD ne consente un'interfaccia utente chiara e intuitiva.

DESCRIZIONE

- 3 versioni disponibili:
 - ATL 600 – versione base, alimentazione AC, non espandibile;
 - ATL 601 – versione base, alimentazione DC, non espandibile;
 - ATL 610 – versione espandibile (2 slot per moduli EXP) con doppia alimentazione AC/DC.
- Display LCD grafico 128x80 pixel, retroilluminato, 4 livelli di grigio.
- 5 tasti per funzioni ed impostazioni.
- 4 LED per sinottico impianto (stato sorgenti ed interruttori).
- 2 LED per segnalare presenza allarmi e modalità automatica attiva.
- Testi per misure, impostazioni e messaggi in 5 lingue.
- Funzioni di I/O avanzate programmabili.
- Proprietà degli allarmi completamente definibili dall'utente.
- Elevata accuratezza delle misure in vero valore efficace (TRMS).
- LINEA 1: Ingresso di misura tensioni di rete trifase + neutro.
- LINEA 2: Ingresso di misura tensioni di rete trifase + neutro.
- Commutazione fra LINEA-LINEA, LINEA-generatore o generatore-generatore.
- Comando di interruttori motorizzati, commutatori motorizzati o contattori.
- Gestione dei generatori con test automatico e rotazione-soccorso.
- Controllo di reti trifasi, bifasi o monofasi.
- Controllo sulle tensioni concatenate e/o sulle tensioni di fase.
- Controlli di minima tensione, massima tensione, mancanza fase, asimmetria, minima frequenza, massima frequenza, con abilitazione e ritardo di intervento indipendenti.
- Soglie di tensione con isteresi programmabile.
- Alimentazione da batteria 12-24VDC (ATL 601 e ATL 610)
- Interfaccia di programmazione ottica frontale, isolata galvanicamente, alta velocità, impermeabile, compatibile con chiavi USB (CX01) e Wi-Fi (CX02).
- 6 ingressi digitali programmabili (negativi).
- 6+1 uscite digitali:
 - 6 relè con contatto NA 8A 250VAC;
 - 1 relè con contatto in scambio 8A 250VAC.
- Memorizzazione degli ultimi 100 eventi.
- Protezione frontale IP40 elevabile a IP65 tramite guarnizione opzionale.
- Compatibile con App SAM1 e software di supervisione Synergy.

FUNZIONI DEI TASTI FRONTALI

LED modalità AUT (verde) – Selezione del modo operativo OFF.

Tasto AUT – Selezione del modo operativo automatico. Il LED verde AUT si accende.

Tasto MAN – Selezione del modo operativo manuale.

Tasti ▲ e ▼ – Servono per scorrere le pagine del display o per selezionare la lista di opzioni di un menu. Premendo contemporaneamente ▼ + ▲ si richiama il Menu principale con le icone rotanti.

LED FRONTALI

AUT LED (green) – Indica la modalità automatica attiva.

LED di allarme (rosso) – Lampeggiante, indica che un allarme è attivo.

LED presenza tensione linea 1 (verde) – Indica che la tensione della linea 1 rientra nei limiti impostati.

LED presenza tensione linea 2 (verde) – Indica che la tensione della linea 2 rientra nei limiti impostati.

LED Stato interruttore linea 1 (giallo) – Se fisso, indica lo stato aperto o chiuso dell' interruttore LINEA 1. Se lampeggiante indica una incongruenza tra lo stato desiderato dell'ATL 6... e lo stato vero rilevato dal segnale di feedback.

LED Stato interruttore linea 2 (giallo) – Se fisso, indica lo stato aperto o chiuso dell' interruttore LINEA 2. Se lampeggiante indica una incongruenza tra lo stato desiderato dell'ATL 6... e lo stato vero rilevato dal segnale di feedback.

MODI OPERATIVI

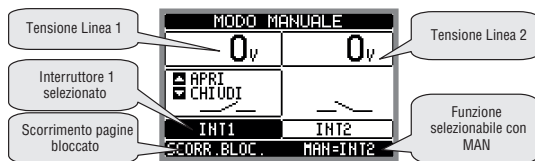
Per cambiare modo operativo è necessario premere per almeno 0,5 sec il tasto corrispondente al modo operativo desiderato.

Modo OFF – In questa modalità l'apparecchio risulta disabilitato e non intraprende nessuna azione. Tutte le visualizzazioni sia delle misure che dei LED di stato rimangono attive. Se il comando dei dispositivi di commutazione è di tipo impulsivo, in modo OFF entrambi i comandi apertura/chiusura rimangono disattivati. Se invece è in modalità comando continuo, il comportamento può essere selezionato tramite P05.10. Per poter accedere ai menu di programmazione è sempre necessario spostarsi preventivamente in modalità OFF. Premendo sul tasto OFF-RESET si possono azzerare gli allarmi ritenitivi, a patto che le condizioni che hanno generato l'allarme siano state rimosse.

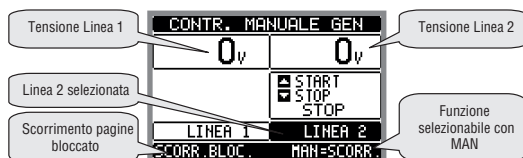
Modo MAN (manuale) – In modalità MAN è possibile comandare manualmente gli interruttori selezionando sul display l'interruttore che si vuol comandare premendo il tasto MAN, e premendo ▲ o ▼ per confermare l'operazione di chiusura o di apertura.

Mentre è abilitata la chiusura-apertura degli interruttori, lo scorrimento delle pagine è bloccato. Premendo più volte MAN è possibile sbloccarlo e spostarsi su altre pagine.

Se viene comandata manualmente la chiusura di un interruttore mentre l'altro è ancora chiuso, l'apparecchio procederà prima all'apertura dell'altro interruttore e poi alla chiusura di quello comandato, interponendo il tempo di interblocco programmato.



Quando si lavora con dei gruppi elettrogeni, è possibile comandare manualmente l'accensione e lo spegnimento del generatore in modo analogo a quanto descritto per gli interruttori, ma spostandosi sulla pagina start/stop gruppi.



Modo AUT (Automatico) – La modalità AUT è evidenziata dalla accensione del corrispondente LED verde. In modalità automatico l'apparecchio segue autonomamente sia le operazioni di apertura e chiusura degli interruttori sia l'avviamento e l'arresto di eventuali gruppi elettrogeni.

Quando la linea prioritaria esce dai limiti, per un tempo superiore a quelli di ritardo impostati (LED verde presenza linea spento), l'apparecchio scollega il carico dalla linea prioritaria e lo collega alla linea secondaria, gestendo sia l'avviamento dell'eventuale gruppo elettrogeno sia i tempi di manovra e di interblocco. E' possibile programmare l'apparecchio in modo da aprire l'interruttore dalla linea prioritaria prima oppure dopo che la linea alternativa si è resa disponibile tramite il parametro P05.05 nel menù M05 Commutazione.

Quando la linea prioritaria rientra nei limiti, l'apparecchio ricommuta il carico su di essa e provvede all'eventuale ciclo di raffreddamento del gruppo elettrogeno. E' possibile inoltre impostare il blocco del ritorno automatico su linea prioritaria tramite il parametro P05.12.

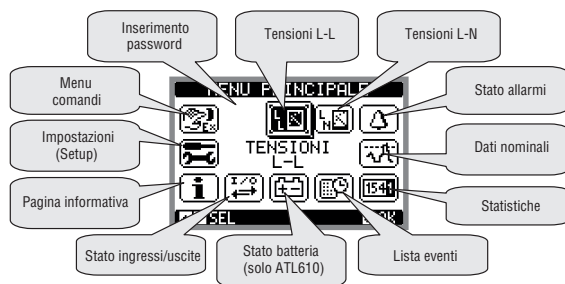
I cicli di funzionamento in automatico variano sia in funzione del tipo di applicazione (rete-rete, rete-gruppo, gruppo-gruppo) che in funzione del tipo di dispositivi di commutazione impiegati (interruttori motorizzati, commutatori motorizzati o contattori).

MESSA IN TENSIONE

- ATL 600 ha alimentazione 100-240VAC.
- ATL 601 ha alimentazione 12-24VDC.
- ATL 610 ha alimentazione 100-240VAC o 12-24VDC. In caso di presenza contemporanea di entrambe le alimentazioni, viene data priorità alla alimentazione AC.
- Alla accensione l'apparecchio si pone normalmente in modo OFF.
- Se si necessita che mantenga lo stesso modo di funzionamento precedente lo spegnimento, si deve modificare il parametro P01.03 nel menu M01 Utilità.
- ATL 601 e ATL 610 possono essere alimentati indifferentemente sia a 12 che a 24VDC, ma necessitano della corretta impostazione della tensione di batteria nel menù M04 Batteria, diversamente si avrà un'allarme relativo alla tensione di batteria.
- Durante la procedura di messa in tensione tutti i LED vengono fatti lampeggiare per verificarne il funzionamento.

MENU PRINCIPALE

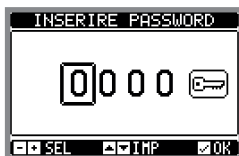
- Il menu principale è costituito da un insieme di icone grafiche che permettono l'accesso rapido alle misure ed alle impostazioni.
- Partendo dalla visualizzazione misure normale, premendo contemporaneamente i tasti ▲ e ▼. Il display visualizza il menu rapido.
- Premere ▲ o ▼ per ruotare in senso orario/antiorario fino a selezionare la funzione desiderata. L'icona selezionata viene evidenziata e la scritta nella parte centrale del display indica la descrizione della funzione.
- Premere ✓ per attivare la funzione selezionata.
- Se alcune funzioni non sono disponibili la corrispondente icona sarà disabilitata, cioè visualizzata in colore grigio chiaro.
- [Icona] [Icona] [Icona] etc. - Agiscono come scorciatoie che consentono di velocizzare l'accesso alle pagine di visualizzazione misure, saltando direttamente al gruppo di misure selezionato, partendo dal quale ci si potrà spostare avanti e indietro come di consueto.
- [Icona] - Impostazione del codice numerico che consente l'accesso alle funzioni protette (impostazione dei parametri, esecuzione di comandi).
- [Icona] - Punto di accesso alla programmazione dei parametri. Vedere il capitolo dedicato.
- [Icona] - Punto di accesso al menu comandi, dove l'utente abilitato può eseguire una serie di azioni di azzeramento e ripristino.
- [Icona] - Punto di accesso ai dati statistici di funzionamento del controller.
- [Icona] - Punto di accesso alla lista eventi.



Menu principale

ACCESSO TRAMITE PASSWORD

- La password serve per abilitare o bloccare l'accesso al menu di impostazione ed al menu comandi.
- Per gli apparecchi nuovi di fabbrica (default), la password è disabilitata e l'accesso è libero. Se invece le password sono state abilitate, per ottenere l'accesso bisogna prima inserire il relativo codice di accesso numerico.
- Per abilitare l'uso delle password e definire i codici di accesso fare riferimento al menu di impostazione M03 Password.
- Esistono due livelli di accesso, a seconda del codice inserito:
 - **Accesso livello utente** – consente l'azzeramento dei valori registrati e la modifica di alcune impostazioni dell'apparecchio;
 - **Accesso livello avanzato** – stessi diritti dell'utente con in più la possibilità di modificare tutte le impostazioni.
- Dalla normale visualizzazione misure, premere ✓ per richiamare il menu principale, quindi selezionare l'icona password e premere ✓.
- Compare la finestra di impostazione password in figura:



- Con i tasti ▲ e ▼ si cambia il valore della cifra selezionata.
- Con i tasti + e - ci si sposta fra le cifre.
- Inserire tutte le cifre della password, quindi spostarsi sull'icona chiave.
- Quando la password inserita corrisponde alla Password livello Utente o alla Password livello Avanzato, compare il relativo messaggio di sblocco.
- Una volta sbloccata la password, l'accesso rimane abilitato fino a che:
 - l'apparecchio viene spento;
 - l'apparecchio viene resettato (in seguito all'uscita dal menu impostazioni);
 - trascorrono più di 2 minuti senza che l'operatore tocchi alcun tasto.
- Con il tasto ✓ si abbandona l'impostazione password e si esce.

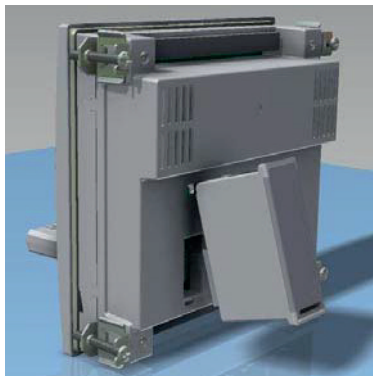
PAGINE	ESEMPIO
Tensioni concatenate	<p>LINEA 1 Unità di misura Frequenza</p> <p>LINEA 2 Indicazione fasi Modo operativo</p>
Stato allarmi	<p>Allarme attivo</p>
Statistiche	<p>LINEA 1 LINEA 2</p> <p>Contatore commutazioni in modalità MAN Tempo trascorso con carico alimentato Tempo trascorso con linee fuori dai limiti</p> <p>Contatore commutazioni in modalità AUT Contatore allarmi A03 A04 Tempo totale trascorso con carico non alimentato Contatore spegnimenti ATL Tempo trascorso con linee nei limiti</p>
Espansioni installate (solo ATL 610)	<p>Indicazione modello dispositivo Alimentazione Stato comunicazione porta ottica</p> <p>Indicazione espansione installata</p>
Configurazione Ingressi	
Orologio datario virtuale	
Informazioni di sistema	<p>Livello di revisione Software Hardware Parametri</p> <p>Nome dell'ATS utilizzato</p>
Sinottico	

PAGINE	ESEMPIO
Tensioni di fase	<p>Tensioni Frequenza</p> <p>Indicazione fasi</p>
Soglie di controllo	<p>LINEA 1 LINEA 2</p> <p>Soglie di tensione Soglie di frequenza</p>
Stato batteria (solo ATL 610)	<p>Tensione minima misurata Tensione attuale Limite tensione minima</p> <p>Tensione massima misurata Limite tensione massima Reset di max e min misurati</p>
Stato I/O	<p>Stato I/O digitali. In reverse = attivato</p>
Configurazione uscite	
Pagina informativa	<p>Testo libero impostabile dall'utente</p>
Lista Eventi	<p>Data e ora evento</p> <p>Codice evento</p> <p>Descrizione evento</p>

NOTA: alcune delle pagine elencate sopra potrebbero non essere visualizzate, se la relativa funzione non è abilitata. Ad esempio se non viene programmata la funzione limiti la corrispondente pagina non viene visualizzata.

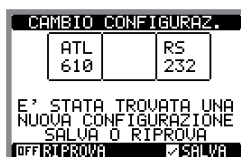
ESPANDIBILITÀ

- Grazie al suo bus di espansione, l'ATL 610 può essere espanso con dei moduli aggiuntivi EXP...
- E' possibile installare un massimo di 2 moduli EXP... contemporaneamente.
- I moduli EXP... supportati dall'ATL 610 si dividono nelle seguenti categorie:
 - moduli di comunicazione;
 - moduli di I/O digitale.
- Per inserire un modulo di espansione:
 - togliere l'alimentazione al dispositivo;
 - rimuovere uno dei coperchi protettivi degli slot di espansione;
 - inserire il gancio superiore del modulo nella apposita feritoia in alto nello slot;
 - ruotare il modulo verso il basso inserendo il connettore sul bus;
 - premere fino a che l'apposita clip sul lato inferiore del modulo si aggancia a scatto.



Montaggio espansioni ATL 610

- Quando un ATL 610 viene alimentato, riconosce automaticamente i moduli EXP... ad esso collegati.
- Se la configurazione del sistema è diversa rispetto all'ultima rilevata (è stato aggiunto o rimosso un modulo), l'unità base chiede all'utente di confermare la nuova configurazione. In caso di conferma la nuova configurazione verrà salvata e diventerà effettiva, altrimenti ad ogni messa in tensione verrà segnalata la discordanza.



- La configurazione attuale del sistema è visualizzata nella apposita pagina del display (moduli espansione), dove si vedono il numero, il tipo e lo stato dei moduli collegati.
- La numerazione degli I/O viene elencata sotto ogni modulo.
- Lo stato (attivato/disattivato) degli I/O e dei canali di comunicazione viene evidenziato con la scritta in negativo.

RISORSE AGGIUNTIVE

- I moduli di espansione forniscono delle risorse aggiuntive che possono essere sfruttate tramite gli opportuni menu di impostazione.
- I menu di impostazione che riguardano le espansioni sono disponibili anche se i moduli non sono fisicamente presenti.
- Dato che è possibile aggiungere più moduli della stessa tipologia (ad esempio due interfacce di comunicazione) i relativi menu di impostazione sono multipli, identificati da un numero progressivo.
- Di seguito una tabella che indica quanti moduli di ogni tipo possono essere montati contemporaneamente e in quali slot possono essere montati. Il numero totale di moduli deve essere ≤ 2 .

TIPO MODULO	CODICE	FUNZIONE	Nr. MAX	REV
COMUNICAZIONE	EXP 10 10	USB	2	0
	EXP 10 11	RS232	2	0
	EXP 10 12	RS485	2	0
	EXP 10 13	Ethernet	1	0
	EXP 10 14	Profibus® DP	1	1
I/O DIGITALI	EXP 10 00	4 ingressi	2	0
	EXP 10 01	4 uscite statiche	2	0
	EXP 10 02	2 ingressi + 2 uscite st.	2	0
	EXP 10 03	2 relè in scambio	2	0
	EXP 10 06	2 relè NA	2	0
	EXP 10 07	3 relè NA	2	0
	EXP 10 08	2 ingressi + relè NA	2	0

CANALI DI COMUNICAZIONE

- All'ATL 610 è possibile connettere un massimo di 2 moduli di comunicazione, denominati COMn. Il menu di impostazione comunicazioni prevede quindi due sezioni (n=1 ... 2) di parametri per l'impostazione delle porte di comunicazione.
- I canali di comunicazione sono completamente indipendenti, sia dal punto di vista hardware (tipo di interfaccia fisica) che dal punto di vista del protocollo di comunicazione.
- I canali di comunicazione possono funzionare contemporaneamente.
- Attivando la funzione Gateway, è possibile avere un ATL 610 equipaggiato con una porta Ethernet ed una porta RS485, che fa da 'ponte' verso altri dispositivi dotati della sola porta RS485, in modo da ottenere un risparmio (1 solo punto di accesso Ethernet).
- In questa rete, l'ATL 610 dotato di porta Ethernet avrà il parametro della funzione Gateway impostato su ON per entrambi i canali di comunicazione (COM1, COM2) mentre gli altri dispositivi saranno configurati normalmente con Gateway = OFF.

INGRESSI, USCITE, VARIABILI INTERNE, CONTATORI

- Gli ingressi e le uscite sono identificati da una sigla e da un numero progressivo. Ad esempio gli ingressi digitali sono denominati INPx, dove x rappresenta il numero dell'ingresso. Allo stesso modo, le uscite digitali sono denominate OUTx.

COD	DESCRIZIONE	BASE	EXP (ATL 610)
INPx	Ingressi digitali	1...6	7...14
OUTx	Uscite digitali	1...7	8...15

- Allo stesso modo degli ingressi/uscite, esistono delle variabili interne (bit) che possono essere associate alle uscite o combinate fra loro. Ad esempio si possono applicare delle soglie limite alle misure effettuate dal sistema. In questo caso la variabile interna, denominata LIMx, sarà attivata quando la misura risulta essere fuori dai limiti definiti dall'utente tramite il relativo menu di impostazione.
- Inoltre sono disponibili fino a 4 contatori (CNT1...CNT4) che possono conteggiare impulsi provenienti dall'esterno (quindi da ingressi INPx) oppure il numero di volte per cui si è verificata una determinata condizione. Ad esempio definendo una soglia LIMx come sorgente di conteggio, sarà possibile contare quante volte una misura ha superato un certo valore.
- Di seguito una tabella che raccoglie tutte le variabili interne gestite dall' ATL 6..., con evidenziato il loro range (numero di variabili per tipo).

COD.	DESCRIZIONE	RANGE
LIMx	Soglie limite sulle misure	1...4
REMX	Variabili controllate da remoto	1...16
UAX	Allarmi utente	1...4
CNTx	Contatori programmabili	1...4

SOGLIE LIMITE (LIMx)

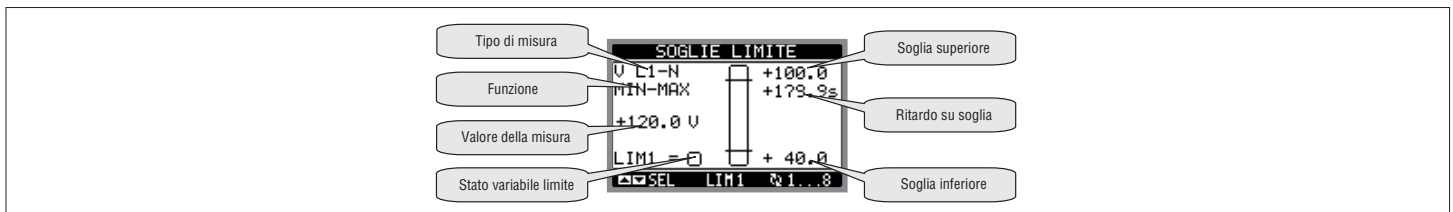
- Le soglie limite LIMn sono delle variabili interne il cui stato dipende dalla fuoriuscita dai limiti definiti dall'utente da parte di una misura fra quelle effettuate dal sistema (esempio: tensione concatenata L1-L2 superiore a 400V).
- Per velocizzare l'impostazione delle soglie, che possono spaziare in un range estremamente ampio, ciascuna di esse va impostata con un valore base + un coefficiente moltiplicativo (esempio: $400 \times 1 = 400$).
- Per ogni LIM sono disponibili due soglie (superiore ed inferiore). La soglia superiore deve essere sempre impostata ad un valore maggiore di quella inferiore.
- Il significato delle soglie dipende dalle seguenti funzioni:

Funzione Min: con la funzione Min la soglia inferiore è d'intervento quella superiore di ripristino. Quando il valore della misura selezionata è sotto il limite inferiore, dopo il ritardo impostato si ha l'attivazione della soglia. Quando il valore della misura è maggiore della soglia superiore, dopo il ritardo impostato si ha il ripristino.

Funzione Max: con la funzione Max la soglia superiore è d'intervento e quella inferiore di ripristino. Quando il valore della misura selezionata è maggiore della superiore, dopo il ritardo impostato si ha l'attivazione della soglia. Quando il valore della misura è minore della soglia inferiore, dopo il ritardo impostato si ha il ripristino.

Funzione Min+Max: con la funzione Min+Max le soglie inferiore e superiore sono entrambe d'intervento. Quando il valore della misura selezionata è minore della soglia inferiore o maggiore della soglia superiore, dopo i rispettivi ritardi si ha l'intervento della soglia. Quando il valore della misura rientra nei limiti si ha il ripristino immediato.

- L'intervento può significare eccitazione o diseccitazione del limite LIMn a seconda dell'impostazione.
- Se il limite LIMn è impostato con memoria, il ripristino è manuale e può essere effettuato tramite il comando apposito nel menu comandi.
- Vedere il menu di impostazione M13 Soglie limite.



VARIABILI DA REMOTO (REMX)

- ATL 6... hanno la possibilità di gestire un massimo di 16 variabili comandate da remoto (REM1...REM16).
- Si tratta di variabili il cui stato può essere modificato a piacere dall'utente tramite il protocollo di comunicazione e che possono essere utilizzate in abbinamento alle uscite. Esempio: usando una variabile remota (REMX) come sorgente di una uscita (OUTx) sarà possibile attivare e disattivare liberamente un relè tramite il software di supervisione. Questo consentirebbe di utilizzare i relè di uscita dell'ATL 6... per comandare dei carichi ad esempio illuminazione o altro.

ALLARMI UTENTE (UAX)

- L'utente ha la possibilità di definire un massimo di 4 allarmi programmabili (UA1...UA4).
- Per ciascun allarme è possibile stabilire:
 - la sorgente, cioè la condizione che genera l'allarme;
 - il testo del messaggio che deve comparire sul display quando questa condizione si verifica;
 - le proprietà dell'allarme (come per gli allarmi standard).
- La condizione che genera l'allarme può essere ad esempio il superamento di una soglia. In questo caso la sorgente sarà una delle soglie limite LIMx.
- Se invece l'allarme deve essere visualizzato in conseguenza dell'attivazione di un ingresso digitale esterno, allora la sorgente sarà un INPx.
- Per ciascun allarme l'utente ha la possibilità di definire un messaggio liberamente programmabile che comparirà sulla finestra pop-up degli allarmi.
- Per gli allarmi utente è possibile definire le proprietà con lo stesso modo utilizzato per gli allarmi normali. Sarà quindi possibile decidere se un determinato allarme deve far suonare la sirena, chiudere l'uscita di allarme globale ecc. Vedere il capitolo Proprietà degli allarmi.
- In caso di presenza contemporanea di più allarmi essi vengono mostrati a rotazione e ne viene indicato il numero totale.
- Premendo sul tasto OFF-RESET si possono azzerare gli allarmi ritenitivi, a patto che le condizioni che hanno generato l'allarme siano state rimosse.
- Per azzerare un allarme che è stato programmato con memoria, utilizzare l'apposito comando nel menu comandi.
- Per la definizione degli allarmi vedere menu di impostazione Errore. L'origine riferimento non è stata trovata. M15 Allarmi Utente.

TEST AUTOMATICO

- Il test automatico e' una prova periodica che viene eseguita a scadenze fisse (intervallo impostabile in sede di setup) se il sistema si trova in modo AUT e se la funzione è stata abilitata.
- La tipica applicazione è quella di verificare periodicamente l'efficienza di un gruppo elettrogeno usato come sorgente di emergenza.
- E' possibile decidere in quali giorni della settimana può essere eseguito il test ed in quale momento della giornata (ore-minuti).
- Vedere il menu M09 Test Automatico per maggiori dettagli sulla programmazione.
- Dopo l'avviamento il gen-set funziona per un tempo impostabile esaurito il quale si arresta. Prima dell'avviamento si ha la visualizzazione sul display della scritta 'T.AUT'.



- L'abilitazione / disabilitazione del test automatico può essere effettuata anche senza entrare nel menu Setup nel seguente modo:
 - Spostarsi sulla pagina "TEST AUTOMATICO" e premere i tasti AUT e ▲ se si vuole abilitare la funzione oppure AUT e ▼ se si vuole disabilitare.
- Il test automatico può essere interrotto premendo il tasto OFF - RESET.

SIMULAZIONE MANCANZA LINEA PRIORITARIA

- E' possibile simulare la mancanza della linea prioritaria per verificare il comportamento del sistema.
- La simulazione può essere avviata o tramite il menu comandi (comando C.16) oppure tramite un ingresso digitale, per esempio collegato ad un selettore a chiave, impostando la funzione dell'ingresso all'esecuzione del comando C.16.
- La simulazione consiste nel considerare la linea prioritaria assente per 2 minuti, anche se essa è effettivamente presente. Durante questo tempo la pagina principale visualizza la scritta SIMUL xxx con il conto alla rovescia del tempo.
- Verrà effettuato un avviamento del gruppo elettrogeno (se presente) ed un trasferimento del carico esattamente come nel ciclo automatico.
- E' possibile arrestare la simulazione in qualsiasi momento passando in modalità OFF.
- Se si effettua la simulazione dal menu comandi, è necessario partire dalla modalità OFF (che consente l'accesso al menu). Una volta selezionato e confermato il comando C.16, uscire dal menu comandi. L'apparecchio passerà autonomamente in modo AUT e inizierà la simulazione.

BLOCCO TASTIERA

- La tastiera dell'ATL 6... può essere bloccata con:
 - un ingresso programmabile;
 - una particolare procedura dai tasti frontali.
- Una volta bloccata la tastiera sarà possibile solo consultare le misure ma non cambiare modalità operativa o operare manualmente sugli interruttori, se viene visualizzato il menù a icone e la tastiera è bloccata, attendere 2 minuti per tornare alla pagina principale.
- Tentando di utilizzare i tasti bloccati, verrà visualizzata la scritta ACCESSO BLOCCATO.
- Per bloccare o sbloccare la tastiera, premere il tasto ▲ e mantenendolo premuto, premere tre volte il tasto ▼ senza rilasciarlo alla fine.
- Rilasciare quindi il tasto ▲ e premerlo poi per 5 volte, poi rilasciare entrambi i tasti.
- Quando la tastiera viene bloccata sul display compare la scritta TASTIERA BLOCCATA. Se invece e' stata sbloccata compare TASTIERA SBLOCCATA.

PORTA DI PROGRAMMAZIONE IR

- La configurazione dei parametri dell'ATL 6... si può effettuare tramite la porta ottica frontale, attraverso la chiavetta di programmazione IR-USB CX01 oppure la chiavetta IR-Wi-Fi CX02.
- Questa porta di programmazione ha i seguenti vantaggi:
 - consente di effettuare la configurazione e la manutenzione dell'ATL 6... senza la necessità di accedere al retro dell'apparecchio e quindi di aprire il quadro elettrico;
 - è galvanicamente isolata dalla circuiteria interna dell'ATL 6..., garantendo la massima sicurezza per l'operatore;
 - consente una elevata velocità di trasferimento dei dati;
 - consente una protezione frontale IP65;
 - restringe la possibilità di accessi non autorizzati alla configurazione del dispositivo.
- Semplicemente avvicinando una chiavetta CX.. alla porta frontale ed inserendo le spine negli appositi fori, si otterrà il vicendevole riconoscimento dei dispositivi evidenziato dal colore verde del LED LINK sulla chiavetta di programmazione.



Chiavetta USB CX01 e Wi-Fi CX02

IMPOSTAZIONE PARAMETRI DA PC

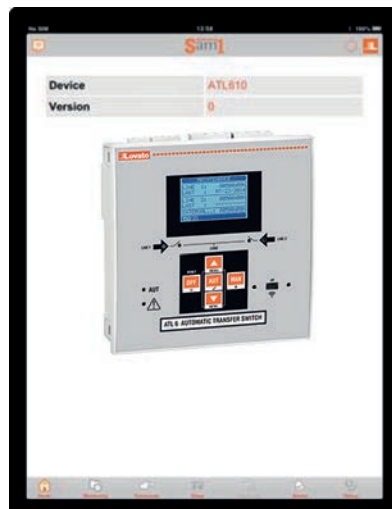
- Mediante il software di setup Xpress è possibile effettuare il trasferimento dei parametri di setup (precedentemente impostati) da ATL 6... al disco del PC e viceversa.
- Il trasferimento dei parametri da PC a ATL... può essere parziale, cioè solo i parametri dei menù specificati.
- Oltre ai parametri con il PC è possibile definire:
 - logo personalizzato che appare alla messa in tensione ed ogniqualvolta si esce dal setup da tastier;
 - pagina informativa dove poter inserire informazioni, caratteristiche, dati ecc. concernenti l'applicazione;
 - caricamento di set di lingue alternative a quelle di default.

IMPOSTAZIONE PARAMETRI DA SMARTPHONE O TABLET

- Mediante l'App SAM1, disponibile per tablet e smartphone Android o iOS, e l'accessorio CX02 è possibile collegarsi all'ATL 6...
- L'App permette di visualizzare allarmi, inviare comandi, leggere misure, impostare parametri, scaricare gli eventi e inviare dati raccolti via e-mail.



SAM1 - smartphone



SAM1 - tablet

IMPOSTAZIONE DEI PARAMETRI (SETUP) DAL PANNELLO FRONTALE

- Per accedere al menu di programmazione dei parametri (setup):
 - predisporre la scheda in modalità **OFF**;
 - dalla normale visualizzazione misure, premere ▲ e ▼ contemporaneamente per richiamare il Menu principale;
 - selezionare l'icona . Se essa non è abilitata (visualizzata in grigio) significa che è necessario inserire la password di sblocco (vedere capitolo Accesso tramite password);
 - premere ✓ per accedere al menu impostazioni.
- Viene visualizzata la tabella in figura, con la selezione dei sotto-menu di impostazione, nei quali sono raggruppati tutti i parametri secondo un criterio legato alla loro funzione.
- Selezionare il menu desiderato tramite i tasti ▲ o ▼ e confermare con ✓.
- Per uscire e tornare alla visualizzazione misure premere **OFF**.



Impostazione: selezione menu

- Nella seguente tabella sono elencati i sottomenu disponibili:

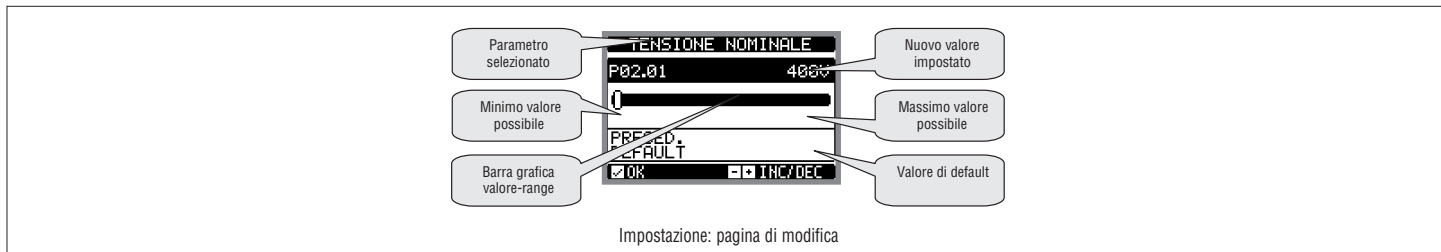
COD.	MENU	DESCRIZIONE
M01	UTILITA'	Lingua, luminosità, pagine display ecc.
M02	GENERALE	Dati caratteristici dell'impianto
M03	PASSWORD	Impostazione codici di accesso
M04	BATTERIA	Parametri batteria (ATL 601 e ATL 610)
M05	COMMUTAZIONE CARICO	Modo commutazione carico
M06	CONTROLLO LINEA 1	Limiti di accettabilità tensione LINEA 1
M07	CONTROLLO LINEA 2	Limiti di accettabilità tensione LINEA 2
M08	COMUNICAZIONI	Parametri comunicazione (ATL 610)
M09	TEST AUTOMATICO	Periodo, durata, modo test automatico
M10	INGRESSI DIGITALI	Funzioni ingressi digitali programmabili
M11	USCITE DIGITALI	Funzioni uscite digitali programmabili
M12	VARIE	Funzioni quali manutenzione ecc.
M13	SOGLIE LIMITE	Soglie limite programmabili
M14	CONTATORI	Contatori generici programmabili
M15	ALLARMI UTENTE	Allarmi programmabili
M16	TABELLA ALLARMI	Abilitazione ed effetto degli allarmi

- Selezionare il sotto-menu e premere il tasto ✓ per visualizzare i parametri.
- Tutti i parametri sono visualizzati con codice, descrizione, valore attuale.



Impostazione: selezione parametri

- Se si vuole modificare il valore di un parametro, dopo averlo selezionato premere ✓.
- Se non è stata immessa la password livello Avanzato non sarà possibile accedere alla pagina di modifica e verrà visualizzato un messaggio di accesso negato.
- Se invece si ha l'accesso, verrà visualizzata la pagina di modifica.



- Quando si è in modalità modifica, il valore può essere modificato con i tasti + e -. Vengono visualizzati anche una barra grafica che indica il range di impostazione, i valori minimi e massimi possibili, il valore precedente e quello di default.
- Premendo + e ▲ il valore viene impostato al massimo possibile, mentre con ▲ e - viene impostato al minimo.
- Premendo contemporaneamente + e - l'impostazione viene riportata al valore di default di fabbrica.
- Durante l'impostazione di un testo, con i tasti ▲ e ▼ si seleziona il carattere alfanumerico e con + e - si sposta il cursore all'interno del testo. Premendo contemporaneamente ▲ e ▼ la selezione alfanumerica si sposta direttamente sul carattere 'A'.
- Premere ✓ per tornare alla selezione parametri. Il valore immesso rimane memorizzato.
- Premere OFF per salvare i cambiamenti ed uscire dalla impostazione. Il controller esegue un reset e ritorna in funzionamento normale.
- Se non vengono premuti tasti per 2 minuti consecutivi, il menu setup viene abbandonato automaticamente e il sistema torna alla visualizzazione normale senza salvare i parametri.
- Rammentiamo che, per i soli dati di setup modificabili da tastiera, è possibile fare una copia di sicurezza nella memoria eeprom dell'ATL.... Questi stessi dati all'occorrenza possono essere ripristinati nella memoria di lavoro I comandi di copia di sicurezza e ripristino dei dati sono disponibili nel menù comandi.

TABELLA PARAMETRI

M01 - UTILITA'		UdM	Default	Range
P01.01	Lingua		English	English Italiano Francais Espagnol Deutsch
P01.02	Impostazione orologio alla nalimentazione		OFF	OFF-ON
P01.03	Modalità operativa alla alimentazione		Precedente	Modo OFF Precedente
P01.04	Contrasto LCD	%	50	0-100
P01.05	Intensità retroilluminazione display alta	%	100	0-100
P01.06	Intensità retroilluminazione display bassa	%	25	0-50
P01.07	Tempo passaggio a retroilluminazione bassa	s	180	5-600
P01.08	Ritorno a pagina di default	s	300	OFF / 10-600
P01.09	Pagina di default		VL-L	(lista pagine)
P01.10	Identificativo impianto		(vuoto)	Stringa 20 car.

P01.01 - Selezione lingua per i testi sul display.

P01.02 - Attivazione accesso automatico al setup dell'orologio dopo una messa in tensione.

P01.03 - Alla messa in tensione, l'apparecchio parte in modalità OFF oppure nella stessa modalità in cui era stato spento.

P01.04 - Regolazione del contrasto del LCD.

P01.05 - Regolazione della retroilluminazione alta del display.

P01.06 - Regolazione della retroilluminazione bassa del display.

P01.07 - Ritardo passaggio a retroilluminazione bassa del display.

P01.08 - Ritardo di ripristino della visualizzazione della pagina di default quando non vengono premuti tasti. Se impostato a OFF il display rimane sempre sulla ultima pagina selezionata manualmente.

P01.09 - Pagina di default visualizzata dal display alla accensione e dopo il ritardo.

P01.10 - Testo libero con nome alfanumerico identificativo dello specifico impianto.

M02 - GENERALE		UdM	Default	Range
P02.01	Tensione nominale impianto	VAC	400	50-50000
P02.02	Utilizzo TV		OFF	OFF-ON
P02.03	Primario TV	V	100	50-50000
P02.04	Secondario TV	V	100	50-500
P02.05	Controllo sequenza fasi		OFF	OFF L1-L2-L3 L3-L2-L1
P02.06	Tipo di collegamento		L1-L2-L3-N	L1-L2-L3-N L1-L2-L3 L1-N-L2 L1-N
P02.07	Tipo di controllo tensione		L-L	L-L L-N L-L + L-N
P02.08	Frequenza nominale		50HZ	50 HZ 60 HZ

P02.01 - Tensione nominale della rete e del generatore. Per sistemi polifase, impostare sempre la tensione concatenata.

P02.02 - Utilizzo trasformatori di tensione (TV) sugli ingressi di misura tensione rete / generatore.

P02.03 - Valore del primario degli eventuali trasformatori di tensione.

P02.04 - Valore del secondario degli eventuali trasformatori di tensione.

P02.05 - Abilitazione controllo sequenza fasi. **OFF** = nessun controllo. **Diretta** = L1-L2-L3. **Inversa** = L3-L2-L1. Nota: Abilitare anche i corrispondenti allarmi.

P02.06 - Scelta del tipo di connessione, trifase con/senza neutro, bifase o monofase.

P02.07 - Controlli di tensione effettuati su concatenate, tensioni di fase o entrambe.

P02.08 - Frequenza nominale di LINEA 1 / LINEA 2.

M03 - PASSWORD		UdM	Default	Range
P03.01	Utilizzo password		OFF	OFF-ON
P03.02	Password livello Utente		1000	0-9999
P03.03	Password livello Avanzato		2000	0-9999
P03.04	Password accesso remoto		OFF	OFF/1-9999

P03.01 – Se impostato ad OFF, la gestione delle password è disabilitata e l'accesso alle impostazioni e al menu comandi è libero.

P03.02 – Con P03.01 attivo, valore da specificare per attivare l'accesso a livello utente. Vedere capitolo Accesso tramite password.

P03.03 – Come P03.02, riferito all'accesso livello Avanzato.

P03.04 – Se impostato ad un valore numerico, diventa il codice da specificare via comunicazione seriale prima di poter inviare comandi da controllo remoto.

M04 - BATTERIA		UdM	Default	Range
P04.01	Tensione nominale batteria	V	AUTO	AUTO 12 24 OFF
P04.02	Limite tensione MAX	%	130	110-140
P04.03	Limite tensione MIN	%	75	60-130
P04.04	Ritardo tensione MIN/MAX	sec	10	0-120

P04.01 – Tensione nominale di batteria. Se impostato ad OFF disabilita gli allarmi e la visualizzazione sul display dello stato della batteria.

P04.02 – Soglia di intervento allarme tensione MAX batteria.

P04.03 – Soglia di intervento allarme tensione MIN batteria.

P04.04 – Ritardo di intervento allarmi MIN e MAX batteria.

M05 – COMMUTAZIONE CARICO		UdM	Default	Range
P05.01	Tipo di applicazione		U-G	U-G U-U G-G
P05.02	Selezione linea prioritaria		-1-	-1- LINEA 1 -2- LINEA 2
P05.03	Tempo di interblocco LINEA 1 → LINEA 2	s	6.0	0,1...1800.0
P05.04	Tempo di interblocco LINEA 1 ← LINEA 2	s	6.0	0,1...1800.0
P05.05	Strategia di commutazione		OBP	OBP OAP
P05.06	Tempo massimo manovra interruttore (ritardo allarmi A03 – A04)	s	5	1...900
P05.07	Tipo dispositivi di commutazione		Int. Imp.	Int. Imp. Int. Con. Comm. Imp. Comm. Con. Contattori
P05.08	Durata impulso apertura	s	10	1-600
P05.09	Durata impulso chiusura	s	1	1-600
P05.10	Comando continuo in modo RESET/OFF		NOC	OFF NOC
P05.11	Tempo massimo carico non alimentato (ritardo intervento allarme A07)	s	60	OFF / 1...3600
P05.12	Blocco ritorno automatico su linea prioritaria		OFF	OFF / ON
P05.13	Modo funzionamento EJP		Normale	Normale EJP EJP-T SCR
P05.14	Ritardo avviamento EJP	min	25	0-240
P05.15	Ritardo commutazione EJP	min	5	0-240
P05.16	Blocco ricommutazione EJP		ON	OFF/ON
P05.17	Commutazione su mancata chiusura (solo quando feedback aperto)		OFF	OFF 1 2 1+2
P05.18	Durata impulso apertura bobine di minima	s	1.0	0,1 ... 10.0
P05.19	Ritardo fra bobine di minima e carico molle	s	0.2	0,1 ... 10.0
P05.20	Ritentativo di chiusura		AUT	OFF AUT AUT+MAN CHIUSURA
P05.21	Intervallo rotazione generatori		OFF	OFF 1h-2h-3h- 4h-6h-8h- 12h- 1d-2d-3d 4d-5d-6d-7d
P05.22	Ora rotazione generatore	h	0	0...23
P05.23	Minuti rotazione generatore	min	0	0...59
P05.24	A12-A13 stop generatore		OFF	OFF-ON

P05.01 – Definisce il tipo di applicazione per la gestione di uno o due gruppi elettrogeni, abilitando la gestione dei relativi segnali di ingresso/uscita.

G = Utility to Generator. U-U = Utility to Utility. G-G = Generator to Generator

P05.02 – Definisce quale è la linea prioritaria, cioè la linea che assume il carico quando entrambe le sorgenti sono disponibili.

P05.03 – Tempo che intercorre tra la avvenuta apertura del dispositivo di commutazione LINEA 1 e il comando di chiusura del dispositivo di commutazione LINEA 2.

P05.04 – Tempo che intercorre tra la avvenuta apertura del dispositivo di commutazione LINEA 2 e il comando di chiusura del dispositivo di commutazione LINEA 1.

P05.05 – OBP (Open Before Presence) significa che in automatico, il comando di apertura di un interruttore viene generato quando la linea in questione esce dai limiti, a prescindere dallo stato della linea alternativa.

OAP (Open After Presence) significa che in automatico il comando di apertura di un interruttore viene inviato solo dopo che la linea alternativa è presente nei limiti.

- P05.06** – Se dopo aver inviato un comando di apertura o chiusura ad un interruttore, questo non si posiziona correttamente entro questo tempo vengono generati gli allarmi A03 o A04. Funziona quando i contatti ausiliari di stato degli interruttori vengono programmati e cablati.
- P05.07** – Definisce se le uscite di apertura-chiusura devono essere continuamente attive (applicazione con contattori o con interruttori senza feedback) oppure impulsive, cioè attivate fino a che l'interruttore / commutatore si è posizionato come desiderato. Nel caso di modalità impulsiva, il comando viene prolungato per un tempo (vedere P5.08 e P5.09) anche dopo avvenuto il posizionamento.
- P05.08** – Durata minima di un comando di apertura. Per l'applicazione con interruttori motorizzati, deve essere impostato ad un tempo sufficiente a permettere il completo caricamento delle molle. Questo tempo viene considerato anche quando si lavora in modalità di comando continua.
- P05.09** – Durata dell'impulso del comando di chiusura.
- P05.10** – Definisce il comportamento delle uscite di comando apertura/chiusura quando si lavora in modalità comando continuo e ATL... è in modalità RESET/OFF. Utilizzato in applicazioni con contattori. **OFF** – Apre le uscite di comando. **NOC** – Lascia invariate le uscite.
- P05.11** – Se in automatico entrambe le sorgenti risultano contemporaneamente non disponibili per un tempo superiore a P5.11, viene generato l'allarme A07.
- P05.12** – Se questo parametro è abilitato, dopo un trasferimento sulla linea secondaria, il ritorno sulla linea prioritaria non avviene automaticamente al rientro della stessa, ma deve essere comandato in modalità manuale. **OFF** – Disattivato. **ON** – Blocco attivo.
- P05.13** – **Normale** = Modalità standard di funzionamento in modalità AUT. **EJP** = vengono utilizzati 2 ingressi programmabili impostati con le funzioni Start remoto carido OFF e Telecommutazione per il funzionamento come EJP. Quando si chiude l'ingresso di avviamento viene attivato il tempo ritardo avviamento motore (P05.14) al termine del quale viene eseguito il ciclo di avviamento. Successivamente, al sopraggiungere del consenso commutazione, se il generatore è partito regolarmente, il carico viene commutato dalla rete al generatore. Il carico ritorna sulla rete all'apertura del consenso commutazione ed il gruppo esegue il ciclo di arresto all'apertura dell'ingresso di start. La funzione EJP è abilitata solo se il sistema è in modalità automatico. Le protezioni e gli allarmi funzionano come di consueto. **EJP-T** = La funzione EJP/T è una variante semplificata della precedente EJP, dove la partenza del motore viene comandata in modo identico, ma la commutazione del carico avviene a tempo anziché con un segnale esterno apposito. Questa funzione impiega quindi un solo ingresso digitale, cioè quello di avviamento. Il tempo di ritardo per effettuare la commutazione parte da quando viene chiuso il comando di avviamento, ed è impostabile tramite il parametro P05.15. **SCR** = La funzione SCR è molto simile alla funzione EJP. In questa modalità l'ingresso di avviamento abilita la partenza del generatore come in EJP, ma senza attendere il tempo di ritardo avviamento P05.14. L'ingresso di Telecommutazione ha ancora la funzione di consenso alla commutazione che avviene dopo il Ritardo commutazione P05.15.
- P05.14** – Ritardo fra l'arrivo del segnale di EJP avviamento gruppo elettrogeno e l'effettivo invio del segnale di avviamento.
- P05.15** – Ritardo di commutazione del carico da linea prioritaria a linea secondaria in modalità EJP e SCR.
- P05.16** – Se ON, in modalità EJP, EJP-T e SCR il carico non viene ricommutato sulla linea prioritaria in caso di avaria del generatore, ma solo quando i segnali sugli ingressi EJP danno il consenso.
- P05.17** – Se abilitato, in caso di mancata chiusura del dispositivo di commutazione (feedback mancante in presenza del comando di chiusura) oltre a generare l'allarme di feedback opportuno (A03 o A04), viene anche comandata la commutazione sulla linea alternativa. **OFF** = Funzione disabilitata. **1** = Controllo su linea 1. **2** = Controllo su linea 2. **1+2** = Controllo su entrambe le linee.
- P05.18** – Durata dell'impulso di disattivazione delle bobine di minima per apertura interruttori.
- P05.19** – Tempo interposto fra l'impulso di apertura delle bobine di minima tensione ed il comando di carica molle degli interruttori.
- P05.20** – In caso di interruttori motorizzati definisce in quale modalità operativa può essere eseguito il tentativo di chiusura. Il tentativo di chiusura viene eseguito in caso di mancata chiusura, probabilmente dovuta ad un mancato caricamento delle molle. Esso consiste nell'eseguire un ciclo di apertura e carica molle completo, seguito da un nuovo comando di chiusura. Se l'interruttore non si chiude ancora, viene generato l'allarme di feedback A03 o A04. **OFF** = Non esegue mai tentativo di chiusura. **AUT, AUT+MAN** = esegue tentativo di chiusura quando ATL... è nella modalità impostata. **CHIUSURA** = Eseguire tentativo solo in caso di mancata chiusura ma non in caso di apertura inaspettata dell'interruttore.
- P05.21** – **P05.22** - **P05.23** – Questi parametri consentono di effettuare una rotazione a tempo nella applicazioni G-G, scambiando la priorità fra i due generatori. P05.21 definisce l'intervallo di rotazione fra i due generatori. L'ora del giorno in cui verrà effettuata la rotazione è definita da P05.22 e P05.23. Se l'intervallo di rotazione è superiore a 24h, allora la rotazione avviene sempre all'ora indicata ogni n giorni. Se invece è inferiore a 24h, allora avviene all'ora indicata e anche nei sottomultipli. Ad esempio se si imposta l'ora 12:30 e la rotazione ogni 6h, si avrà una rotazione alle 12:30, una alle 18:30, una alle 0:30 ecc.
- P05.24** – In caso di allarme A12/A13 viene spento il relativo generatore.

M06 – CONTROLLO TENSIONE LINEA 1	UdM	Default	Range
P06.01 Limite tensione MIN sgancio	%	85	70-100
P06.02 Soglia MIN ripristino	%	90	70-100
P06.03 Ritardo tensione MIN	s	5	0-600
P06.04 Limite tensione MAX sgancio	%	115	100-130 / OFF
P06.05 Soglia MAX ripristino	%	110	100-130 / OFF
P06.06 Ritardo tensione MAX	s	5	0-600
P06.07 Ritardo rientro rete nei limiti (quando LINEA 2 non disponibile)	s	10	1-6000
P06.08 Ritardo rientro rete nei limiti (quando LINEA 2 è disponibile)	s	60	1-6000
P06.09 Soglia mancanza fase	%	70	60% - 80% OFF
P06.10 Ritardo soglia mancanza fase	s	0.1	0.1s-30s
P06.11 Soglia asimmetria MAX	%	15	1% -20%/OFF
P06.12 Ritardo asimmetria MAX	s	5	0,1-900
P06.13 Limite frequenza MAX	%	105	100-120/OFF
P06.14 Ritardo frequenza MAX	s	3	0-600
P06.15 Limite frequenza MIN	%	95	OFF/80-100
P06.16 Ritardo frequenza MIN	s	5	0-600
P06.17 Controllo LINEA 1 in modo OFF/RESET		OFF	OFF ON OFF+GLOB ON+GLOB
P06.18 Controllo LINEA 1 in modo MAN		OFF	OFF ON OFF+GLOB ON+GLOB
P06.19 Tempo ritardo avviamento generatore in seguito a mancanza LINEA 1	s	OFF	OFF / 1-6000
P06.20 Tempo di raffreddamento generatore	s	120	1-3600

- P06.01, P06.02, P06.03** – I primi due parametri definiscono la soglia di tensione minima e la relativa isteresi al ripristino. P6.02 non può essere impostato ad un valore inferiore a P6.01. P6.03 definisce il tempo di ritardo per l'intervento di questa protezione.
- P06.04, P06.05, P06.06** – I primi due parametri definiscono la soglia di tensione massima e la relativa isteresi al ripristino. P6.05 non può essere impostato ad un valore superiore a P6.04. Impostando P6.04 su OFF, il controllo di tensione massima viene disabilitato. P6.06 definisce il ritardo di intervento di massima tensione.
- P06.07** – Tempo di ritardo rientro LINEA 1 nei limiti, utilizzato quando la sorgente della LINEA 2 non è disponibile. Normalmente più corto di P6.08, in quanto essendo il carico non alimentato, esiste l'urgenza di fornire tensione.
- P06.08** – Tempo di ritardo rientro LINEA 1 nei limiti, utilizzato quando il carico può essere collegato alla LINEA 2. Normalmente più lungo di P6.07, in quanto essendo il carico 'coperto' è possibile attendere più a lungo prima di considerare la tensione tornata stabilmente.
- P06.09, P06.10** – Soglia di tensione sotto la quale si ha un intervento per mancanza fase, di solito più rapido dell'abbassamento. Il tempo di ritardo per la mancanza fase è specificato da P06.10.
- P06.11, P06.12** – P06.11 definisce la soglia massima di sbilanciamento fra le fasi, riferita alla tensione nominale, ed P06.12 il relativo ritardo di intervento. Questo controllo può essere disabilitato impostando P06.11 su OFF.
- P06.13** – Soglia d'intervento di massima frequenza, può essere disabilitata.
- P06.14** – Ritardo d'intervento di massima frequenza.
- P06.15** – Soglia d'intervento di minima frequenza, può essere disabilitata.
- P06.16** – Ritardo d'intervento di minima frequenza.
- P06.17** – **OFF** = il controllo tensione LINEA 1 in modalità OFF è disattivato. **ON** = il controllo tensione in modalità OFF/è attivato. **OFF+GLOB** = il controllo tensione in modo OFF è disattivato ma il relé programmato con la funzione allarme globale interviene o meno a seconda che la rete sia rispettivamente assente o presente. **ON+GLOB** = il controllo tensione in modo OFF è attivato ed il relé programmato con la funzione allarme globale interviene o meno a seconda che la rete sia rispettivamente assente o presente.
- P06.18** – Vedere P06.17 ma riferito alla modalità MANUALE.
- P06.19** – Ritardo all'avviamento del motore quando la LINEA 1 non rientra nei limiti impostati. Se impostato ad OFF, il ciclo di avviamento inizia contemporaneamente alla apertura del contattore rete.
- P06.20** – Durata massima del ciclo di raffreddamento. Esempio: tempo che intercorre tra la sconnessione del carico dal generatore e l'effettivo arresto del motore.

M07 – CONTROLLO TENSIONE LINEA 2		UdM	Default	Range
P07.01	Limite tensione MIN sgancio	%	85	70-100
P07.02	Soglia MIN ripristino	%	90	70-100
P07.03	Ritardo tensione MIN	s	5	0-600
P07.04	Limite tensione MAX sgancio	%	115	100-130 / OFF
P07.05	Soglia MAX ripristino	%	110	100-130 / OFF
P07.06	Ritardo tensione MAX	s	5	0-600
P07.07	Ritardo rientro rete nei limiti (quando LINEA 1 non disponibile)	s	10	1-6000
P07.08	Ritardo rientro rete nei limiti (quando LINEA 1 è disponibile)	s	60	1-6000
P07.09	Soglia mancanza fase	%	70	60 – 80 OFF
P07.10	Ritardo soglia mancanza fase	s	0.1	0,1s-30s
P07.11	Soglia asimmetria MAX	%	15	1-20 OFF
P07.12	Ritardo asimmetria MAX	s	5	0.1-900
P07.13	Limite frequenza MAX	%	105	100-120 OFF
P07.14	Ritardo frequenza MAX	s	3	0-600
P07.15	Limite frequenza MIN	%	95	OFF 80-100
P07.16	Ritardo frequenza MIN	s	5	0-600
P07.17	Controllo LINEA 2 in modo OFF/RESET		OFF	OFF ON OFF+GLOB ON+GLOB
P07.18	Controllo LINEA 2 in modo MAN		OFF	OFF ON OFF+GLOB ON+GLOB
P07.19	Tempo ritardo avviamento generatore in seguito a mancanza LINEA 2	s	OFF	OFF / 1-6000
P07.20	Tempo di raffreddamento generatore	s	120	1-3600

Nota – Per la spiegazione della funzionalità dei parametri vedere il menu M06 – CONTROLLO TENSIONE LINEA 1.

M8 – COMUNICAZIONE (COMn, n=1...2) (solo ATL 610)		UdM	Default	Range
P08.n.01	Indirizzo seriale nodo		01	01-255
P08.n.02	Velocità seriale	bps	9600	1200 2400 4800 9600 19200 38400 57600 115200
P08.n.03	Formato dati		8 bit – n	8 bit, no parità 8 bit, dispari 8 bit, pari 7 bit, dispari 7 bit, pari
P08.n.04	Bit di stop		1	1-2
P08.n.05	Protocollo		Modbus RTU	Modbus RTU Modbus ASCII Modbus TCP
P08.n.06	Indirizzo IP		192.168.1.1	000.000.000.000 – 255.255.255.255
P08.n.07	Subnet mask		0.0.0.0	000.000.000.000 – 255.255.255.255
P08.n.08	Porta IP		1001	0-32000
P08.n.09	Funzione canale		Slave	Slave Gateway
P08.n.10	Client / server		Server	Client Server
P08.n.11	Indirizzo IP remoto		000.000.000.000	000.000.000.000 – 255.255.255.255
P08.n.12	Porta IP remota		1001	0-32000
P08.n.13	Indirizzo gateway IP		000.000.000.000	000.000.000.000 – 255.255.255.255

Nota: questo menu è diviso in 2 sezioni, per i canali di comunicazione COM1...2. La porta di programmazione frontale a infrarossi ha parametri di comunicazione fissi e quindi non necessita di alcun menu di impostazione

P08.n.01 – Indirizzo seriale (nodo) del protocollo di comunicazione.

P08.n.02 – Velocità di trasmissione della porta di comunicazione.

P08.n.03 – Formato dati. Impostazioni a 7 bit possibili solo per protocollo ASCII.

P08.n.04 – Numero bit di stop.

P08.n.05 – Scelta del protocollo di comunicazione.

P08.n.06, P08.n.07, P08.n.08 – Coordinate TCP-IP per applicazioni con interfaccia Ethernet. Non utilizzati con altri tipi di moduli di comunicazione.

P08.n.09 – Ruolo del canale di comunicazione. **Slave** = Slave modbus; **Gateway** = Ponte fra porta Ethernet e porta seriale.

P08.n.10 – Attivazione della connessione TCP-IP. **Server** = Attende connessione da un client remoto. **Client** = Stabilisce connessione verso un server remoto.

P08.n.11...P08.n.13 – Coordinate per la connessione al server remoto quando P16.n.10 è impostato a client.

M9 – TEST AUTOMATICO		UdM	Default	Range
P09.01	Abilitazione TEST automatico		OFF	OFF / ON
P09.02	Intervallo tra i TEST	gg	7	1-60
P09.03	Abilitazione TEST al lunedì		ON	OFF / ON
P09.04	Abilitazione TEST al martedì		ON	OFF / ON
P09.05	Abilitazione TEST al mercoledì		ON	OFF / ON
P09.06	Abilitazione TEST al giovedì		ON	OFF / ON
P09.07	Abilitazione TEST al venerdì		ON	OFF / ON
P09.08	Abilitazione TEST al sabato		ON	OFF / ON
P09.09	Abilitazione TEST alla domenica		ON	OFF / ON
P09.10	Ora inizio TEST	h	12	00-23
P09.11	Minuti inizio TEST	min	00	00-59
P09.12	Durata del TEST	min	10	1-600
P09.13	TEST automatico con commutazione del carico		OFF	OFF Carico Carico fittizio

P09.01 – Attiva l'esecuzione del test periodico. Questo parametro può essere modificato direttamente dal frontale senza accedere al setup (vedere capitolo Test Automatico) ed il suo stato corrente è visualizzato nella apposita pagina del display.

P09.02 – Tempo d'intervallo tra un test periodico ed il successivo. Se nel giorno della scadenza del periodo il test non è abilitato, l'intervallo verrà allungato di conseguenza al successivo giorno abilitato.

P09.03...P09.09 – Abilita l'esecuzione del test automatico nei singoli giorni della settimana. OFF significa che in quel giorno il test non verrà eseguito. Attenzione!! L'orologio datario deve essere impostato correttamente.

P09.10 – P09.11 – SStabilisce l'ora e i minuti di inizio del test periodico. Attenzione!! L'orologio datario deve essere impostato correttamente.

P09.12 – Durata in minuti del test periodico.

P09.13 – Gestione del carico durante l'esecuzione del test periodico: **OFF** = Il carico non viene commutato. **Carico** = Abilita la commutazione del carico dalla rete al generatore. **Carico fittizio** = Viene inserito il carico fittizio, mentre il carico dell'impianto non viene commutato.

M10 – INGRESSI PROGRAMMABILI (INPn, n=1...14)		UdM	Default	Range
P10.n.01	Funzione Ingresso INPn		(varie)	(vedi tabella funzioni ingressi)
P10.n.02	Indice funzione (x)		OFF	OFF / 1...99
P10.n.03	Tipo contatto		NO	NO/NC
P10.n.04	Ritardo chiusura	s	0.05	0.00-600.00
P10.n.05	Ritardo apertura	s	0.05	0.00-600.00

Nota: Questo menu è diviso in 14 sezioni, riferite a 6 possibili ingressi digitali INP1...INP6 gestibili dall'ATL 6... e altri 8 ingressi gestiti dall'ATL 610 tramite le espansioni EXP...

P10.n.01 – Scelta della funzione dell'ingresso selezionato (vedi tabella funzioni ingressi programmabili).

P10.n.02 – Indice eventualmente associato alla funzione programmata al parametro precedente. Esempio: Se la funzione dell'ingresso è impostata su Esecuzione menu comandi Cxx, e si vuole far sì che questo ingresso esegua il comando C.07 del menu comandi, allora P10.n.02 va impostato al valore 7.

P10.n.03 – Scelta del tipo di contatto NO normalmente aperto o NC normalmente chiuso.

P10.n.04 – Ritardo alla chiusura del contatto sull'ingresso selezionato.

P10.n.05 – Ritardo all'apertura del contatto sull'ingresso selezionato.

M11 – USCITE PROGRAMMABILI (OUT1...15)		UdM	Default	Range
P11.n.01	Funzione uscita OUTn		(varie)	(vedi tabella funzioni uscite)
P11.n.02	Indice funzione (x)		1	OFF / 1...99
P11.n.03	Uscita normale / inversa		NOR	NOR / REV

Nota: Questo menu è diviso in 15 sezioni, riferite rispettivamente alle 7 possibili uscite digitali OUT1...OUT7 gestibili dall'ATL 6... e altri 9 ingressi gestiti dall'ATL 610 tramite le espansioni EXP...

P11.n.01 – Scelta della funzione della uscita selezionata (vedi tabella funzioni uscite programmabili).

P11.n.02 – Indice eventualmente associato alla funzione programmata al parametro precedente. Esempio: Se la funzione dell'uscita è impostata sulla funzione Allarme Axx, e si vuole far sì che questa uscita si ecciti quando si verifica l'allarme A16, allora P11.n.02 va impostato al valore 16.

P11.n.03 – Imposta lo stato dell'uscita quando la funzione ad essa associata non è attiva: **NOR** = uscita diseccitata, **REV** = uscita eccitata.

M12 – VARIE		UdM	Default	Range
P12.01	Intervallo manutenzione ore	h	OFF	OFF / 1...99999
P12.02	Intervallo manutenzione manovre		OFF	OFF / 1...99999
P12.03	Uscita modalità operativa		OFF	OFF O M M – O A ...

P12.01 – Definisce il periodo di manutenzione programmata, espresso in ore. Se impostato ad OFF, questo intervallo di manutenzione è disabilitato.

P12.02 – Definisce il periodo di manutenzione programmata, espresso in numero di manovre. Se impostato ad OFF, questo intervallo di manutenzione è disabilitato.

P12.03 – Definisce in quale delle modalità operative si deve attivare l'uscita programmata con la funzione Modo di funzionamento. Ad esempio, se si programma questo parametro su M-O, l'uscita Modo di funzionamento verrà attivata quando l'ATL 6... si trova in modalità MAN oppure OFF.

M13 – SOGLIE LIMITE (LIMn, n = 1...4)		UdM	Default	Range
P13.n.01	Misura di riferimento		OFF	OFF- (lista misura) CNTx
P13.n.02	Sorgente misura di riferimento		OFF	OFF LINEA 1 LINEA 2
P13.n.03	Nr. canale (x)		1	OFF/1...99
P13.n.04	Funzione		Max	Max Min Min+Max
P13.n.05	Soglia superiore		0	-9999 - +9999
P13.n.06	Moltiplicatore		x1	/100 – x10k
P13.n.07	Ritardo	s	0	0.0 – 600.0
P13.n.08	Soglia inferiore		0	-9999 - +9999
P13.n.09	Moltiplicatore		x1	/100 – x10k
P13.n.10	Ritardo	s	0	0.0 – 600.0
P13.n.11	Stato a riposo		OFF	OFF-ON
P13.n.12	Memoria		OFF	OFF-ON

Nota: questo menu è diviso in 4 sezioni, per le soglie limite LIM1...4.

P13.01 – Definisce a quale delle misure fornite dall'ATL 6... applicare la soglia limite.

P13.02 – Se la misura di riferimento è una misura elettrica, qui si definisce se essa è riferita alla rete o al generatore.

P13.03 – Se la misura di riferimento è una misura interna multicanale, qui si definisce quale canale.

P13.04 – Definisce il modo di funzionamento della soglia limite. **Max** = LIMn attivo quando la misura supera P13.n.03. P13.n.06 è la soglia di ripristino. **Min** = LIMn attivo quando la misura è inferiore a P13.n.06. P13.n.03 è la soglia di ripristino. **Min+Max** = LIMn attivo quando la misura è superiore a P13.n.03 oppure inferiore a P13.n.06.

P13.05 e P13.06 – Definiscono la soglia superiore, che è data dal valore di P13.n.03 moltiplicato per P13.n.04.

P13.07 – Ritardo di intervento sulla soglia superiore.

P13.08, P13.09, P13.10 – Come sopra, riferiti alla soglia inferiore.

P13.11 – Permette di invertire lo stato del limite LIMn.

P13.12 – Definisce se la soglia rimane memorizzata e va azzerata manualmente tramite menu comandi (ON) o se si ripristina automaticamente (OFF).

M14 – CONTATORI (CNTn, n = 1...4)		UdM	Default	Range
P14.01	Sorgente conteggio		OFF	OFF ON INPx OUTx LIMx REMx
P14.n.02	Numero canale (x)		1	OFF/1...99
P14.n.03	Moltiplicatore		1	1-1000
P14.n.04	Divisore		1	1-1000
P14.n.05	Descrizione del contatore		CNTn	(Testo – 16 caratteri)
P14.n.06	Unità di misura		Umn	(Testo – 6 caratteri)
P14.n.07	Sorgente di reset		OFF	OFF-ON- INPx-OUTx- LIMx-REMx
P14.n.08	Numero canale (x)		1	OFF/1-99

Nota: questo menu è diviso in 4 sezioni, per i contatori CNT1...4.

P14.01 – Segnale che provoca l'incremento del conteggio (sul fronte di salita). Può essere il superamento di una soglia (LIMx), l'attivazione di un ingresso esterno (INPx), ecc. **ON** = Conta il numero di accensioni del dispositivo.

P14.02 – Numero del canale x riferito al parametro precedente.

P14.03 – K moltiplicativo. Gli impulsi contati vengono moltiplicati per questo valore prima di essere visualizzati

P14.04 – K frazionario. Gli impulsi contati vengono divisi per questo valore prima di essere visualizzati. Se diverso da 1, il contatore viene visualizzato con 2 cifre decimali.

P14.05 – Descrizione del contatore. Testo libero 16 caratteri.

P14.06 – Unità di misura del contatore. Testo libero 6 caratteri.

P14.07 – Segnale che provoca l'azzeramento del conteggio. Fino a che questo segnale è attivo il conteggio rimane al valore zero.

P14.08 – Numero del canale x riferito al parametro precedente.

M15 – ALLARMI UTENTE (UAn, n=1...4)		UdM	Default	Range
P15.n.01	Sorgente allarme		OFF	OFF INPx OUTx LIMx REMx
P15.n.02	Numero canale (x)		1	OFF/1...99
P15.n.03	Testo		UAn	(Testo – 20 caratteri)
P15.n.04	Apertura interruttore		OFF	OFF 1 2 1+2

Nota: questo menu è diviso in 4 sezioni, per la definizione degli allarmi utente UA1...UA4.

P15.01 – Definizione dell'ingresso digitale o variabile interna la cui attivazione genera l'allarme utente.

P15.02 – Numero di canale riferito al parametro precedente.

P15.03 – Testo libero che comparirà nella finestra di allarme.

P15.04 – Linea da aprire in caso si manifesti questo allarme.

Esempio applicativo: L'allarme utente UA3 deve essere generato dalla chiusura dell'ingresso INP5, e deve mostrare il messaggio 'Sportelli aperti'.

In questo caso impostare la sezione di menu 3 (per l'allarme UA3):

P15.3.01 = INPx

P15.3.02 = 5

P15.3.03 = 'Sportelli aperti'

ALLARMI

- Al sorgere di un allarme, il display mostra una icona di allarme, un codice identificativo e la descrizione dell'allarme nella lingua selezionata.



- Se vengono premuti dei tasti di navigazione delle pagine, la finestra pop-up con le indicazioni di allarme scompare momentaneamente per poi ricomparire dopo alcuni secondi.
- Fintanto che un allarme è attivo il LED rosso vicino all'icona di allarme sul frontale lampeggia. Se abilitati, gli allarmi acustici locali e remoti vengono attivati.
- Il reset degli allarmi si può effettuare premendo il tasto OFF.
- Se l'allarme non si resetta, significa che persiste la causa che lo ha provocato.
- In seguito al verificarsi di uno o più allarmi, l'ATL 6... ha un comportamento dipendente dalla impostazione delle proprietà degli allarmi attivi.

PROPRIETÀ DEGLI ALLARMI

Ad ogni allarme, compresi gli allarmi utente (User Alarms, Uax) possono essere assegnate diverse proprietà:

- **Allarme abilitato** – Abilitazione generale dell'allarme. Se non abilitato è come se non esistesse.
- **Solo AUT** – L'allarme è può essere generato solo quando ATL 6... è in modalità automatica.
- **Allarme ritenitivo** – Rimane memorizzato anche se è stata rimossa la causa che lo ha provocato.
- **Allarme globale** – Attiva l'uscita assegnata a questa funzione.
- **Blocco BRK1** – In conseguenza del manifestarsi dell'allarme, non vengono più inviati comandi all'interruttore 1.
- **Blocco BRK2** – come precedente, riferito a interruttore 2.
- **Sirena** – Attiva l'uscita assegnata a questa funzione come configurato nella tabella allarmi.
- **Inibizione** – L'allarme può essere disabilitato temporaneamente tramite l'attivazione di un ingresso programmabile con la funzione Inibizione allarmi.
- **No LCD** – L'allarme viene gestito normalmente ma non viene visualizzato sul display.

TABELLA ALLARMI

COD	DESCRIZIONE	Abilitato	Solo AUT	Ritenitivo	All. Glob.	Blocco RK1	Blocco RK2	Sirena	Inibizione	No LCD
A01	Tensione batteria troppo bassa	●		●	●			●		
A02	Tensione batteria troppo alta	●		●	●			●		
A03	Timeout interruttore LINEA 1	●	●	●	●	●		●		
A04	Timeout interruttore LINEA 2	●	●	●	●		●	●		
A05	Errata sequenza fase LINEA 1	●		●	●			●		
A06	Errata sequenza fase LINEA 2	●		●	●			●		
A07	Timeout carico non alimentato	●	●		●			●		
A08	Avaria caricabatteria esterno									
A09	Emergenza	●		●	●			●		
A10	Intervento protezione Interruttore LINEA 1 (trip)	●		●	●	●	●	●		
A11	Intervento protezione Interruttore LINEA 2 (trip)	●		●	●	●	●	●		
A12	Generatore LINEA 1 non disponibile	●			●			●		
A13	Generatore LINEA 2 non disponibile	●			●			●		
A14	Manutenzione ore LINEA 1	●								
A15	Manutenzione ore LINEA 2	●								
A16	Manutenzione manovre LINEA 1	●								
A17	Manutenzione manovre LINEA 2	●								
A18	Allarme tensione ausiliaria	●			●			●		

Nota. Le proprietà degli allarmi possono essere modificate tramite il menu M16 ALLARMI.

DESCRIZIONE DEGLI ALLARMI

COD	DESCRIZIONE	MOTIVAZIONE ALLARME
A01	Tensione batteria troppo bassa	Tensione di batteria al di fuori della soglia minima per un tempo superiore a quello impostato
A02	Tensione batteria troppo alta	Tensione di batteria al di fuori della soglia massima per un tempo superiore a quello impostato
A03	Timeout interruttore LINEA 1	Il dispositivo di commutazione della LINEA 1 non ha eseguito la manovra di apertura o di chiusura entro il tempo max impostato. Dopo che l'allarme è stato generato, il comando di apertura o chiusura viene inibito. Gli allarmi vengono generati solo se almeno una delle due sorgenti di alimentazione è presente, cioè più elevata delle soglie minime programmate
A04	Timeout interruttore LINEA 2	Il dispositivo di commutazione della LINEA 2 non ha eseguito la manovra di apertura o di chiusura entro il tempo max impostato. Dopo che l'allarme è stato generato, il comando di apertura o chiusura viene inibito. Gli allarmi vengono generati solo se almeno una delle due sorgenti di alimentazione è presente, cioè più elevata delle soglie minime programmate
A05	Errata sequenza fase LINEA 1	La sequenza fase rilevata sulla LINEA 1 non corrisponde a quella programmata
A06	Errata sequenzafase LINEA 2	La sequenza fase rilevata sulla LINEA 2 non corrisponde a quella programmata
A07	Timeout carico non alimentato	Il carico è rimasto senza alimentazione per un tempo superiore a quanto programmato con P05.11, o perché non erano disponibili le linee di alimentazione oppure perché gli interruttori sono rimasti entrambi aperti
A08	Avaria caricabatteria esterno	Allarme generato dall'ingresso programmato con la funzione Allarme carica batteria connesso ad un caricabatteria esterno quando almeno una delle sorgenti è nei limiti
A09	Emergenza	Allarme generato dalla apertura dell'ingresso esterno di Emergenza. Entrambi gli interruttori vengono aperti
A10	Intervento protezione Interruttore LINEA 1 (trip)	L'interruttore LINEA 1 si è aperto a causa dell'intervento della protezione di sovracorrente, segnalata dall'apposito ingresso con la funzione Intervento protezione interruttore LINEA 1
A11	Intervento protezione Interruttore LINEA 2 (trip)	L'interruttore LINEA 2 si è aperto a causa dell'intervento della protezione di sovracorrente, segnalata dall'apposito ingresso con la funzione Intervento protezione interruttore LINEA 2
A12	Generatore LINEA 1 non disponibile	Allarme generato dall'ingresso Generatore pronto LINEA 1, oppure quando dopo aver comandato lo start generatore, la tensione generatore non risulta disponibile dopo il tempo P05.11
A13	Generatore LINEA 2 non disponibile	Allarme generato dall'ingresso Generatore pronto LINEA 2, oppure quando dopo aver comandato lo start generatore, la tensione generatore non risulta disponibile dopo il tempo P05.11
A14	Manutenzione ore LINEA 1	Allarme generato quando le ore di manutenzione relative alla LINEA 1 giungono a zero. Vedere menu M12. Utilizzare il menu comandi per ripristinare le ore di funzionamento e azzerare l'allarme
A15	Manutenzione ore LINEA 2	Allarme generato quando le ore di manutenzione relative alla LINEA 2 giungono a zero. Vedere menu M12. Utilizzare il menu comandi per ripristinare le ore di funzionamento e azzerare l'allarme
A16	Manutenzione manovre LINEA 1	Allarme generato quando il numero di manovre relative alla LINEA 1 raggiungono il valore impostato nel menu M12. Utilizzare il menu comandi per ripristinare il funzionamento e azzerare l'allarme
A17	Manutenzione manovre LINEA 2	Allarme generato quando il numero di manovre relative alla LINEA 2 raggiungono il valore impostato nel menu M12. Utilizzare il menu comandi per ripristinare il funzionamento e azzerare l'allarme
A18	Allarme tensione ausiliaria	Il dispositivo che gestisce il prelievo della tensione ausiliaria dalla linea disponibile (tipo LOVATO Electric ATLDPS1) segnala una avaria / malfunzionamento
UA1 ... UA4	Allarme Utente	L'allarme utente è stato generato dall'attivazione della variabile o dell'ingresso associato tramite il menu M15

TABELLA FUNZIONI INGRESSI PROGRAMMABILI

- La tabella seguente riporta tutte le funzioni che possono essere associate agli ingressi digitali programmabili INPn.
- Ciascun ingresso può essere poi impostato in modo da avere funzione invertita (NA – NC), essere ritardato all'eccitazione oppure alla diseccitazione con tempi impostabili indipendenti.
- Alcuni funzioni necessitano di un ulteriore parametro numerico, definito con l'indice (x) specificato dal parametro **P10.n.02**.
- Vedere menu M10 Ingressi programmabili per maggiori dettagli.

FUNZIONE	DESCRIZIONE
Disabilitato	Ingresso disabilitato
Configurabile	Libera configurazione utente
Feedback LINEA 1	Contatto ausiliario che informa l'ATL... dello stato di aperto/chiuso dell'interruttore LINEA 1. Se questo segnale non viene collegato, ATL... considera lo stato dell'interruttore corrispondente allo stato delle uscite di comando
Feedback LINEA 2	Come Fb.1, riferito a LINEA 2
Trip LINEA 1	Quando contatto chiuso, genera allarme di intervento protezione interruttore LINEA 1
Trip LINEA 2	Quando contatto chiuso, genera allarme di intervento protezione interruttore LINEA 2
Telecommutazione	Quando chiuso, provoca la commutazione sulla linea secondaria anche se la tensione della linea principale rientra nei limiti. Può essere utilizzato per lo scambio di priorità fra LINEA 1 e LINEA 2. L'interruttore della linea secondaria rimane attivato fintanto che la stessa rimane compresa nei limiti. Può essere utilizzato per la funzione EJP
Inibizione ritorno automatico su linea principale	In modo AUT, quando chiuso, blocca il ritorno in automatico sulla linea principale dopo che essa è rientrata nei limiti. Serve ad evitare che la seconda interruzione di energia dovuta al ri-trasferimento avvenga automaticamente in un momento non prevedibile
Start generatore (start remoto carico off load)	In modo AUT, quando chiuso, provoca l'avviamento del generatore dopo il tempo impostato con P05.14. Può essere utilizzato per la funzione EJP
Arresto di emergenza	Contatto NC che, se aperto, fa aprire entrambi gli interruttori e genera l'allarme A09 (proprietà blocco di A09 sono prioritarie)
Generatore pronto LINEA 1	Quando chiuso segnala che il generatore collegato alla LINEA 1 è disponibile per l'utilizzo. Se manca questo segnale viene generato l'errore A12
Generatore pronto LINEA 2	Quando chiuso segnala che il generatore collegato alla LINEA 2 è disponibile per l'utilizzo. Se manca questo segnale viene generato l'errore A13
Controllo LINEA 1 esterno	Segnale di controllo tensione LINEA 1 proveniente da apparecchio esterno. Attivato indica tensione nei limiti
Controllo LINEA 2 esterno	Segnale di controllo tensione LINEA 2 proveniente da apparecchio esterno. Attivato indica tensione nei limiti
Presa carico su LINEA 1	Fornisce il consenso al collegamento del carico sulla LINEA 1, in aggiunta ai controlli interni
Presa carico su LINEA 2	Come precedente, riferito a LINEA 2
Bypass ritardo LINEA 1	Azzerà il ritardo presenza LINEA 1
Bypass ritardo LINEA 2	Azzerà il ritardo presenza LINEA 2
Blocco tastiera	Se chiuso blocca tutte le funzioni da tastiera frontale eccetto la visione delle misure
Blocco setup	Se chiuso blocca l'accesso ai menu di setup
Blocco controllo remoto	Blocca le operazioni di comando e scrittura tramite porta seriale. La lettura dei dati è sempre possibile
Tacitazione sirena	Disabilita la sirena
Avvia test automatico	Avvia il test periodico gestito da un timer esterno
Allarme caricabatteria	Con ingresso attivato, segnala allarme A08 Avaria caricabatteria esterno. L'allarme viene generato solo con tensione rete presente.
Inibizione allarmi	Permette, se attivato, di disabilitare gli allarmi con la proprietà Inibizione allarmi attivata
Reset Allarmi	Reset degli allarmi ritenitivi la cui condizione scatenante è cessata
Menu comandi C(xx)	Esegue il comando del menu comandi definito dal parametro indice (xx)
Simula tasto OFF	La chiusura dell'ingresso equivale alla pressione del tasto
Simula tasto MAN	La chiusura dell'ingresso equivale alla pressione del tasto
Simula tasto AUT	La chiusura dell'ingresso equivale alla pressione del tasto
Inibizione test automatico	Impedisce esecuzione test automatico
Test LED	Accende tutti i LED sul frontale facendoli lampeggiare
Chiusura interruttore 1	In manuale chiude interruttore 1
Apertura interruttore 1	In manuale apre interruttore 1
Inverti interruttore 1	In manuale commuta stato interruttore 1
Chiusura interruttore 2	In manuale chiude interruttore 2
Apertura interruttore 2	In manuale apre interruttore 2
Inverti interruttore 2	In manuale commuta stato interruttore 2
Tensione ausiliari pronta	Contatto NC che, se aperto, genera l'allarme A18. Usato ad esempio in abbinamento al relè di allarme del ATLDPS1
Revisione	In caso di revisione dell'impianto, se abilitato, provoca: – passaggio in modalità OFF; – sisabilizzazione degli allarmi di feedback A03 – A04; – eccitazione delle eventuali bobine di minima tensione
Standby	Utilizzato in configurazione G-G, in modalità automatica quando l'ingresso viene attivato apre gli interruttori e dopo il tempo di raffreddamento spegne i generatori. Questa modalità viene visualizzata con la scritta "Standby" nella barra di stato e con un lampeggio veloce del led verde che normalmente indica lo stato AUT. In AUT-standby l'allarme A07 di carico non alimentato viene ignorato
Inibizione rotazione	In configurazione G-G blocca la rotazione dei gruppi
Attiva linea primaria	In configurazione G-G il carico verrà alimentato dal gruppo della LINEA 1
Attiva linea secondaria	In configurazione G-G il carico verrà alimentato dal gruppo della LINEA 2
Cambia linea prioritaria	Inverte la priorità tra le linee

TABELLA FUNZIONI USCITE

- La tabella seguente riporta tutte le funzioni che possono essere associate alle uscite digitali programmabili OUTn.
- Ciascuna uscita può essere poi impostato in modo da avere funzione normale o invertita (NOR o REV).
- Alcuni funzioni necessitano di un ulteriore parametro numerico, definito con l'indice (x) specificato dal parametro **P11.n.02**.
- Vedere menu M11 Uscite programmabili per maggiori dettagli.

FUNZIONE	DESCRIZIONE
Disabilitata	Uscita disabilitata
Configurabile	Libera configurazione utente
Chiusura LINEA 1	Comando chiusura teleruttore / interruttore LINEA 1
Apertura LINEA 1	Comando apertura interruttore LINEA 1 ed eventuale caricamento molle.
Chiusura LINEA 2	Comando chiusura teleruttore / interruttore LINEA 2
Apertura LINEA 2	Comando apertura interruttore LINEA 2 ed eventuale caricamento molle
Apertura linea1 + LINEA 2	Apertura entrambi interruttori / posizione neutra commutatore motorizzato
Bobina di minima LINEA 1	Comanda la bobina di minima tensione aprendo l'interruttore 1 prima del ciclo di caricamento molle
Bobina di minima LINEA 2	Comanda la bobina di minima tensione aprendo l'interruttore 2 prima del ciclo di caricamento molle
Controllo generatore 1	Controllo start/stop remoto del generatore LINEA 1
Controllo generatore 2	Controllo start/stop remoto del generatore LINEA 2
ATS Pronto	ATS in automatico, senza allarmi, pronto a commutare
Allarme globale	Uscita attivata in presenza di un qualsiasi allarme con proprietà Allarme globale attivata
Stato tensione LINEA 1	Uscita eccitata quando esistono tutte le condizioni per poter collegare il carico alla LINEA 1
Stato tensione LINEA 2	Uscita eccitata quando esistono tutte le condizioni per poter collegare il carico alla LINEA 2
Sirena	Alimenta la sirena di segnalazione acustica
Modo funzionamento	Uscita eccitata quando l'ATL 6... si trova in una delle modalità impostate con il parametro P12.03
Modo OFF	Eccitata quando ATL 6... si trova in modalità OFF
Modo MAN	Eccitata quando ATL 6... si trova in modalità MANUALE
Modo AUT	Eccitata quando ATL 6... si trova in modalità AUT
REM(x)	Uscita comandata da variabile remota REMx (x=1..16)
LIM (x)	Uscita controllata dallo stato della soglia limite LIM(x) (x=1..4) viene definito dal parametro indice
Carico fittizio	Uscita abilitata quando viene eseguito il test automatico con carico fittizio
Carico su LINEA 1	Interruttore 1 chiuso
Carico su LINEA 2	Interruttore 2 chiuso
Allarmi A01-Axx	Uscita eccitata quando l'allarme Axx è attivo (xx=1...numero allarmi)
Allarmi UA1...Uax	Uscita eccitata quando l'allarme Uax è attivo (x=1...4)
Standby	Utilizzato in configurazione G-G, in modalità automatica quando l'ingresso viene attivato apre gli interruttori e dopo il tempo di raffreddamento spegne i generatori. Questa modalità viene visualizzata con la scritta "Standby" nella barra di stato e con un lampeggio veloce del led verde che normalmente indica lo stato AUT. In AUT-standby l'allarme A07 di carico non alimentato viene ignorato.
Inibizione rotazione	In configurazione G-G blocca la rotazione dei gruppi.
Attiva linea primaria	In configurazione G-G il carico verrà alimentato dal gruppo della LINEA 1
Attiva linea secondaria	In configurazione G-G il carico verrà alimentato dal gruppo della LINEA 2
Cambia linea prioritaria	Inverte la priorità tra le linee

MENU COMANDI

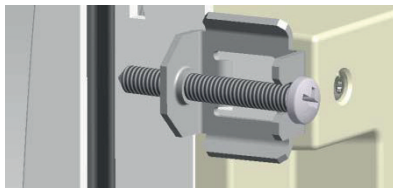
- Il menu comandi permette di eseguire operazioni saltuarie quali azzeramenti di misure, contatori, allarmi, ecc.
- Se è stata immessa la password per accesso avanzato, allora tramite il menu comandi è anche possibile effettuare delle operazioni automatiche utili ai fini della configurazione dello strumento.
- Nella seguente tabella sono riportate le funzioni disponibili con il menu comandi, divise a seconda del livello di accesso necessario.

COD	COMANDO	LIVELLO ACCESSO	DESCRIZIONE
C01	Reset manutenzione ore 1	Avanzato	Azzeramento intervallo manutenzione ore 1
C02	Reset manutenzione ore 2	Avanzato	Azzeramento intervallo manutenzione ore 2
C03	Reset manutenzione manovre 1	Avanzato	Azzeramento intervallo manutenzione manovre 1
C04	Reset manutenzione manovre 2	Avanzato	Azzeramento intervallo manutenzione manovre 2
C05	Reset contatori generici CNTx	Utente	Azzeramento i contatori generici CNTx
C06	Reset stato limiti LIMx	Utente	Azzeramento lo stato dei limiti LIMx ritenitivi
C07	Reset conta ore LINEA 1/ LINEA 2	Avanzato	Resetta contatore di presenza/assenza LINEA 1 e LINEA 2 nei rispettivi limiti
C08	Reset conta ore interruttore 1/interruttore 2	Avanzato	Resetta contatore di chiusura / apertura interruttori 1 e 2
C09	Reset manovre interruttori	Avanzato	Resetta conteggi manovre interruttori 1 e 2
C10	Reset lista eventi	Avanzato	Azzeramento la lista della storia eventi
C11	Ripristino parametri a default	Avanzato	Reimposta tutti i parametri del menu setup al default di fabbrica
C12	Salva parametri nella memoria backup	Avanzato	Esegue una copia dei parametri attualmente impostati in una area di backup per futuro ripristino
C13	Ricarica parametri dalla memoria backup	Avanzato	Trasferisce i parametri salvati in memoria di backup nella memoria delle impostazioni attive
C14	Forzatura I/O	Avanzato	Abilita la modalità collaudo che permette di eccitare manualmente qualsiasi uscita. Attenzione! In questa modalità la responsabilità del comando delle uscite è completamente affidata all'installatore
C15	Reset allarmi A03 – A04	Avanzato	Ripristina il comando di apertura o chiusura dei dispositivi di commutazione dopo la generazione degli allarmi A03 - A04
C16	Simula mancanza linea prioritaria	Avanzato	L'apparecchio passa in modalità AUT e simula la mancanza della linea prioritaria per un tempo di 1 minuto. Effettua quindi una commutazione del carico secondo le modalità programmate

- Una volta selezionato il comando desiderato, premere per eseguirlo. Lo strumento chiederà una conferma. Premendo nuovamente il comando verrà eseguito.
- Per annullare l'esecuzione di un comando selezionato premere RESET.
- Per abbandonare il menu comandi premere RESET.

INSTALLAZIONE

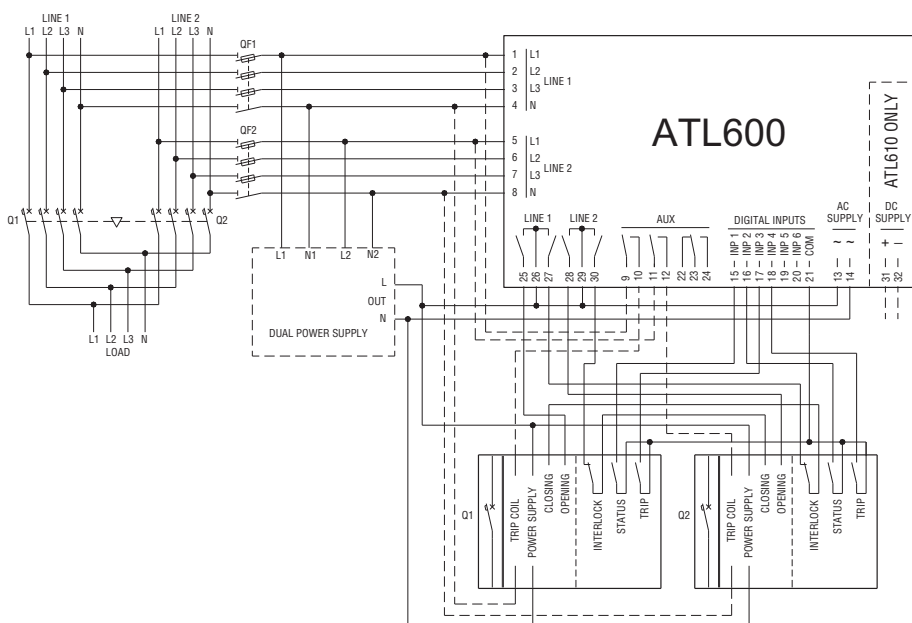
- ATL 6... è destinato al montaggio da incasso. Con il corretto montaggio e la guarnizione opzionale garantisce una protezione frontale IP65.
- Inserire il sistema nel foro del pannello, accertandosi che la guarnizione, se presente, sia posizionata correttamente fra il pannello e la cornice dello strumento.
- Accertarsi che la linguetta dell'etichetta di personalizzazione non rimanga piegata sotto la guarnizione compromettendone la tenuta, ma che sia posta correttamente all'interno del quadro.
- Dall'interno del quadro, per ciascuna delle quattro clips di fissaggio, porre la clip metallica nell'apposito foro sui fianchi del contenitore, quindi spostarla indietro per inserire il gancio nella sede.



- Ripetere l'operazione per le quattro clips.
- Stringere la vite di fissaggio con una coppia massima di 0,5Nm.
- Nel caso si renda necessario smontare l'apparecchio, allentare le quattro viti e procedere in ordine inverso.
- Per i collegamenti elettrici fare riferimento agli schemi di connessione riportati nell'apposito capitolo e alle prescrizioni riportate nella tabella delle caratteristiche tecniche.

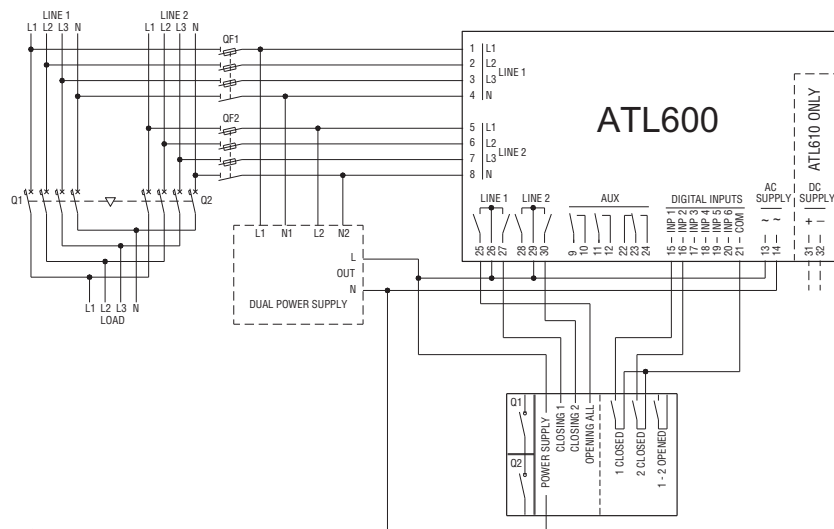
SCHEMI DI CONNESSIONE

Comando interruttori motorizzati



Programmazione parametri per lo schema in figura

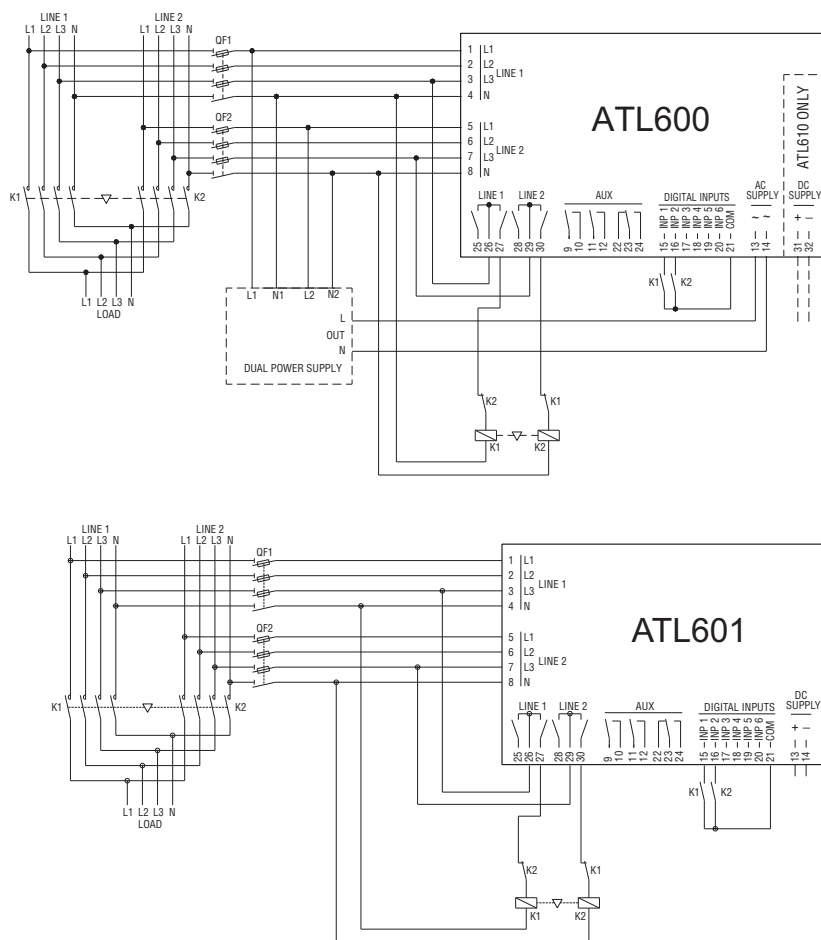
Morsetto	Codice parametro	Impostazione
---	P05.07	Interruttori Impulso o Interruttori continuo
15(INP1)	P10.01.01	Interruttore LINEA 1 chiuso (Feedback 1)
16(INP2)	P10.02.01	Interruttore LINEA 2 chiuso (Feedback 2)
17(INP3)	P10.03.01	Interruttore LINEA 1 in protezione (Trip 1)
18(INP4)	P10.04.01	Interruttore LINEA 2 in protezione (Trip 2)
25(OUT4)	P11.04.01	Apertura interruttore LINEA 1
27(OUT5)	P11.05.01	Chiusura contattore / interruttore LINEA 1
28(OUT6)	P11.06.01	Apertura interruttore LINEA 2
30(OUT7)	P11.07.01	Chiusura contattore / interruttore LINEA 2



Programmazione parametri per lo schema in figura

Morsetto	Codice parametro	Impostazione
---	P05.07	Commutatore impulso o Commutatore continuo
15(INP1)	P10.01.01	Interruttore LINEA 1 chiuso (Feedback 1)
16(INP2)	P10.02.01	Interruttore LINEA 2 chiuso (Feedback 2)
25(OUT4)	P11.04.01	Apertura LINEA 1 e LINEA 2
27(OUT5)	P11.05.01	Chiusura contattore / interruttore LINEA 1
30(OUT7)	P11.07.01	Chiusura contattore / interruttore LINEA 2

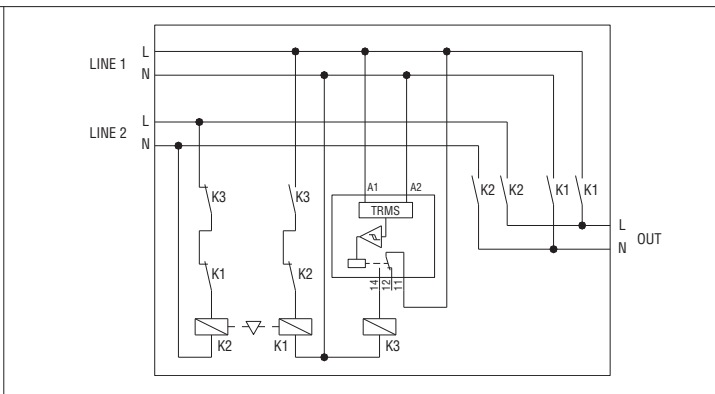
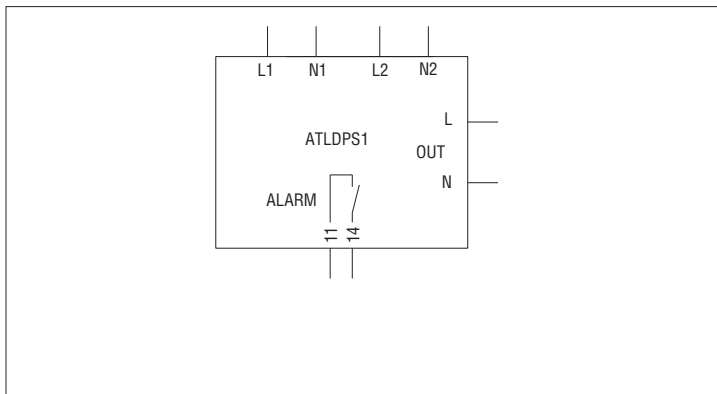
Comando contattori



Programmazione parametri per lo schema in figura

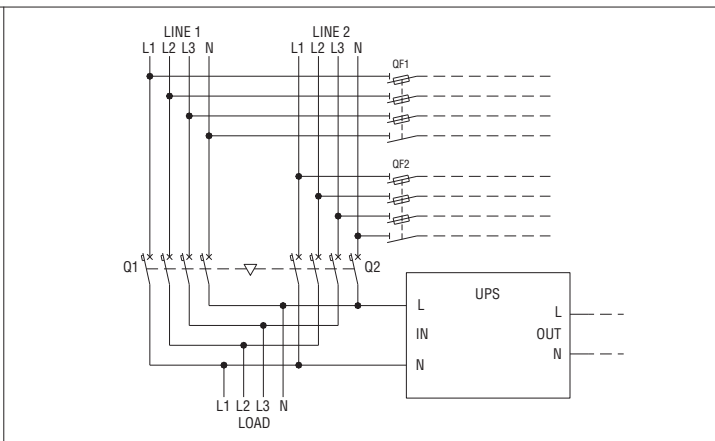
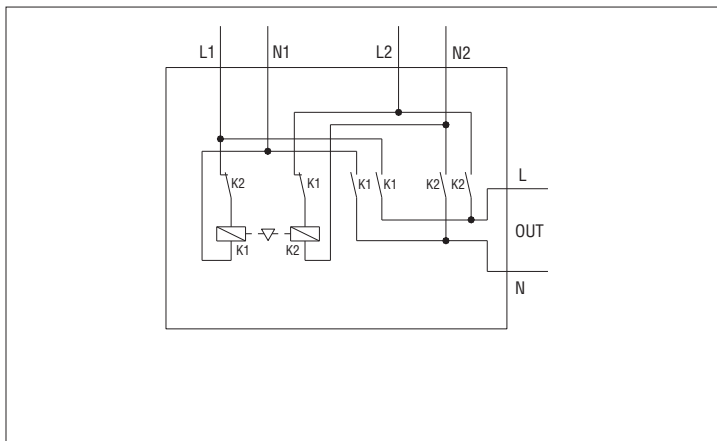
Morsetto	Codice parametro	Impostazione
---	P05.07	Contattori
15(INP1)	P10.01.01	Interruttore LINEA 1 chiuso (Feedback 1)
16(INP2)	P10.02.01	Interruttore LINEA 2 chiuso (Feedback 2)
27(OUT5)	P11.05.01	Chiusura contattore / interruttore LINEA 1
30(OUT7)	P11.07.01	Chiusura contattore / interruttore LINEA 2

I414 GB | 09 20

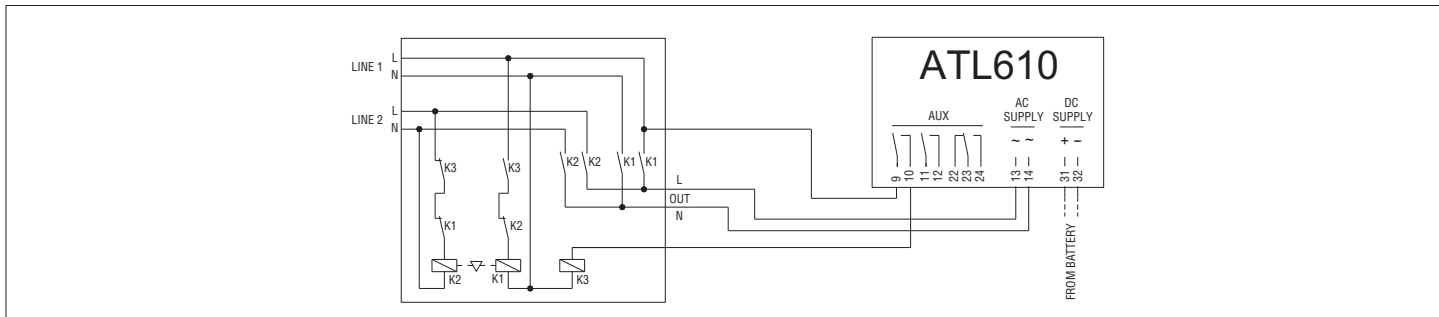


Esecuzione doppia alimentazione con selezione alimentazione ausiliaria mediante relè elettromeccanici (non utilizzare in applicazioni con generatori)

Alimentazione ausiliaria tramite UPS

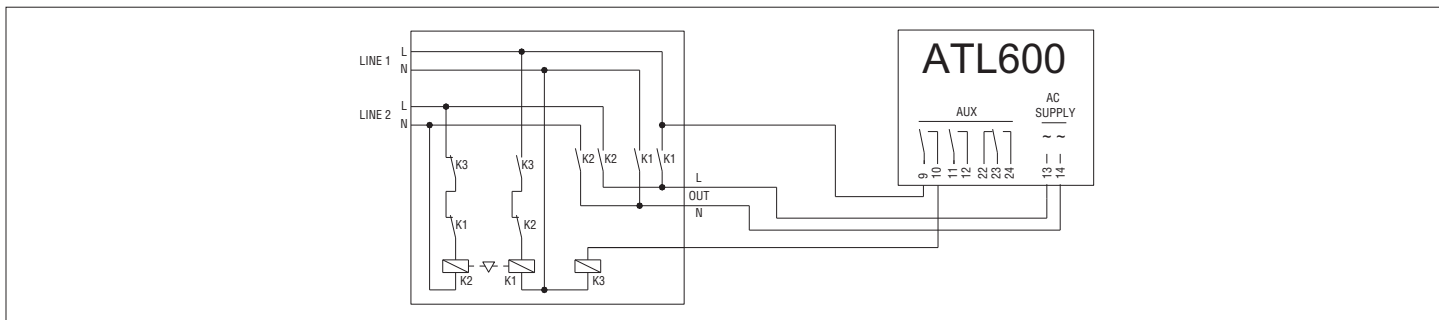


Esecuzione raccomandata per applicazioni con gruppi elettrogeni LINEA 2 proveniente da generatore
Controllo tensione ausiliaria mediante ATL 610 + doppia alimentazione AC opzionale (impianto provvisto di alimentazione da batteria)



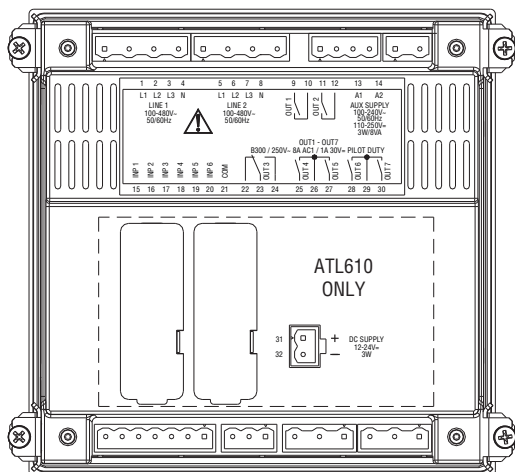
- Note:
- L'uscita sui morsetti 9 - 10 (OUT 1) (parametro P11.01.01) va programmata con la funzione Stato tensione LINEA 1.
 - Impostare l'uscita Controllo generatore 2 in modo che quando l'ATL 610 non è alimentato, il generatore si avvii.

Esecuzione raccomandata per applicazioni con gruppi elettrogeni LINEA 2 proveniente da generatore
Controllo tensione ausiliaria mediante ATL 600 + doppia alimentazione AC opzionale (impianto sprovvisto di alimentazione da batteria)

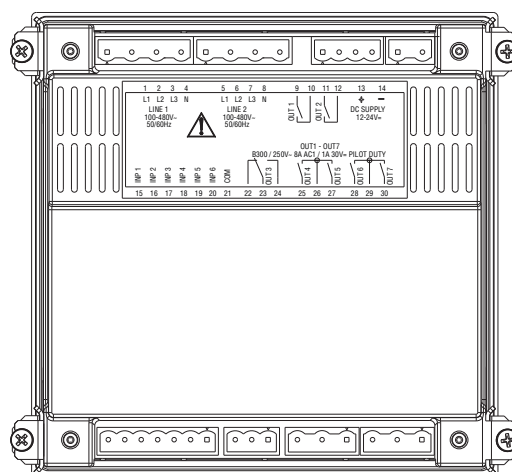


- Note:
- L'uscita sui morsetti 9 - 10 (OUT 1) (parametro P11.01.01) va programmata con la funzione Stato tensione LINEA 1.
 - Impostare l'uscita Controllo generatore 2 in modo che quando l'ATL 610 non è alimentato, il generatore si avvii.

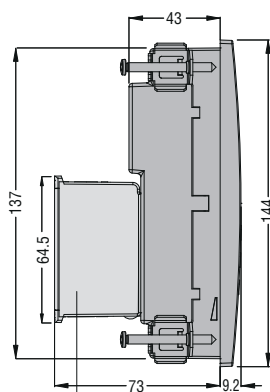
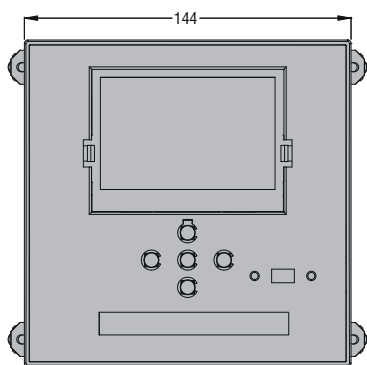
DISPOSIZIONE MORSETTI

ATL 600
ATL 610

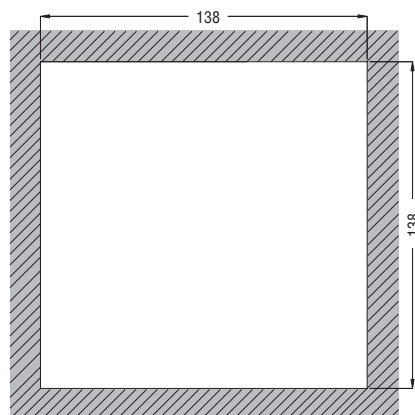
ATL 601



DIMENSIONI MECCANICHE E FORATURA PANNELLO [mm]



EXP 10...
(2 max, only for ATL 610)
(2 max, solo ATL 610)



CARATTERISTICHE TECNICHE

Alimentazione AC: morsetti 13, 14 (ATL 600 - ATL 610)

Tensione nominale Us	100 - 240V~ 110 - 250V=
Limiti di funzionamento	90 - 264V~ 93,5 - 300V=
Frequenza	45 - 66Hz
Potenza assorbita/dissipata	3,8W - 9,5VA
Tempo di immunità alla microinterruzione senza espansioni connesse	≤50ms (110V~) ≤250ms (220V~)
Tempo di immunità alla microinterruzione con 2 espansioni	≤25ms (110V~) ≤120ms (220V~)
Fusibili raccomandati	F1A (rapidi)

Alimentazione DC: morsetti 31, 32 (ATL 610), morsetti 13, 14 (ATL 601)

Tensione nominale di batteria	12 or 24V= indifferentemente
Limiti di funzionamento	7,5...33V=
Corrente massima assorbita	230mA at 12V= e 120mA at 24V=
Potenza massima assorbita/dissipata	2,9W

Ingressi voltmetrici LINEA 1 e LINEA 2 morsetti 1-4 e 5-8

Tensione nominale Ue max	100...480V~ L-L (277VAC L-N)
Campo di misura	50...576V~ L-L (333V~ L-N)
Campo di frequenza	45-65Hz
Tipo di misura	Vero valore efficace (TRMS)
Impedenza dell'ingresso di misura	> 0,5MΩ L-N > 1,0MΩ L-L
Modalità di collegamento	Linea monofase, bifase, trifase con o senza neutro e trifase bilanciato

Precisione misure

Tensione LINEA 1 e LINEA 2	±0,25% f.s. ±1digit
----------------------------	---------------------

Orologio datario

Riserva di carica	Condensatore di back-up
Funzionamento senza tensione di alimentazione	Circa 5min

Ingressi digitali: morsetti 15 - 20

Tipo d'ingresso	Negativo
Corrente d'ingresso	≤8mA
Segnale d'ingresso basso	≤2,2
Segnale d'ingresso alto	≥3,4
Ritardo del segnale d'ingresso	≥50ms

Uscite OUT1 e OUT 2: morsetti 9,10 e 11,12

Tipo di contatto	2 x 1 NO
Portata nominale	AC1 - 8A 250V~ DC1 - 8A 30V= AC15 -1,5A 250V~
Dati d'impiego UL	B300 30V= 1A servizio ausiliario
Massima tensione d'impiego	300V~
Durata meccanica / elettrica	1x10 ⁷ / 1x10 ⁵ operazioni

Uscita OUT3: morsetti 22, 23, 24

Tipo di contatto	1 in scambio
Portata nominale	AC1 - 8A 250V~ DC1 - 8A 30V= AC15 -1,5A 250V~
Dati d'impiego UL	B300 30V= 1A servizio ausiliario
Massima tensione d'impiego	300V~
Durata meccanica / elettrica	1x10 ⁷ / 1x10 ⁵ operazioni

Uscite OUT4 e OUT 5: morsetti 25,26,27

Tipo di contatto	2 x 1 NO + comune contatti
Portata nominale	AC1 - 8A 250V~ DC1 - 8A 30V= AC15 -1,5A 250V~
Dati d'impiego UL	B300 30V= 1A servizio ausiliario
Massima tensione d'impiego	300V~
Durata meccanica / elettrica	1x10 ⁷ / 1x10 ⁵ operazioni
Corrente massima al terminale comune dei contatti	10A

Uscite OUT6 e OUT 7: morsetti 28,29,30

Tipo di contatto	2 x 1 NO + comune contatti
Portata nominale	AC1 - 8A 250V~ DC1 - 8A 30V= AC15 -1,5A 250V~
Dati d'impiego UL	B300 30V= 1A servizio ausiliario
Massima tensione d'impiego	300V~
Durata meccanica / elettrica	1x10 ⁷ / 1x10 ⁵ operazioni
Corrente massima al terminale comune dei contatti	10A

Tensione di isolamento**Alimentazione AC**

Tensione nominale d'isolamento Ui	250V~
Tensione nomi. di tenuta a impulso Uimp	6kV
Tensione di tenuta a frequenza d'esercizio	3kV

Ingressi voltmetrici LINEA 1 e LINEA 2

Tensione nominale d'isolamento Ui	480V~
Tensione nomi. di tenuta a impulso Uimp	6kV
Tensione di tenuta a frequenza d'esercizio	3,8kV

Uscite OUT1 e OUT 2

Tipo di isolamento	Singolo fra OUT1 e OUT 2	
Doppio verso i restanti gruppi		
Tensione nominale d'isolamento Ui	250V~	
	Singolo	Doppio
Tensione nom. di tenuta a impulso Uimp	4kV	6kV
Tensione di tenuta a frequenza d'esercizio	1,5kV	3kV

Uscita OUT3

Tensione nominale d'isolamento Ui	250V~
Tensione nomi. di tenuta a impulso Uimp	6kV
Tensione di tenuta a frequenza d'esercizio	3kV

Uscite OUT4-5 e OUT 6-7

Tipo di isolamento	Singolo fra OUT4-5 e OUT 6-7 Doppio verso i restanti gruppi	
Tensione nominale d'isolamento Ui	250V~	
	Singolo	Doppio
Tensione nomi. di tenuta a impulso Uimp	4kV	6kV
Tensione di tenuta a frequenza d'esercizio	1,5kV	3kV

Condizioni ambientali di funzionamento

Temperatura d'impiego	-30...+70°C
Temperatura di stoccaggio	-30...+80°C
Umidità relativa	<80% (IEC/EN 60068-2-78)
Grado inquinamento ambiente massimo	2
Categoria di sovratensione	3
Categoria di misura	III
Sequenza climatica	Z/ABDM (IEC/EN 60068-2-61)
Resistenza agli urti	15g (IEC/EN 60068-2-27)
Resistenza alle vibrazioni	0,7g (IEC/EN 60068-2-6)

Conessioni

Tipo di morsetti	Estraibili
Sezione conduttori (min e max)	0,2-2,5mm ² (24...12AWG)
Dati d'impiego UL	
Sezione conduttori (min e max)	0,75-2,5mm ² (18...12AWG)
Coppia di serraggio	0,56Nm (5lb.in)

Contentitore

Esecuzione	Da incasso
Materiale	Polycarbonato
Grado di protezione frontale	IP40 sul fronte, IP65 con guarnizione opzionale IP20 sui morsetti
Peso	680g

Omologazioni e conformità

Certificazioni ottenute	EAC, ATL 600-610: cULus, RCM
Conformità a norme	IEC/EN 61010-1, IEC/EN 61010-2-030, IEC/EN 61000-6-2, IEC/EN 61000-6-4, IEC/EN 60947-1, IEC/EN 60947-6-1, UL508, CSA C22.2-N°14
UL Marking	Use 60°C/75°C copper (CU) conductor only AWG Range: 18 - 12 AWG stranded or solid Field Wiring Terminals Tightening Torque: 4.5lb.in Flat panel mounting on a Type 1 enclosure

ⓘ Avvertenza: questo prodotto è stato progettato per l'ambiente A. L'uso di questo prodotto nell'ambiente B può provocare disturbi elettromagnetici indesiderati, nel qual caso l'utilizzatore può dover prendere adeguate misure per loro attenuazione.