

LOVATO ELECTRIC S.P.A.

24020 GORLE (BERGAMO) ITALIA

VIA DON E. MAZZA, 12

TEL. 035 4282111

E-mail info@LovatoElectric.com

Web www.LovatoElectric.com



GB AUTOMATIC POWER FACTOR CONTROLLER

Instructions manual

DCRL3 - DCRL5



WARNING!

- Carefully read the manual before the installation or use.
- This equipment is to be installed by qualified personnel, complying to current standards, to avoid damages or safety hazards.
- Before any maintenance operation on the device, remove all the voltages from measuring and supply inputs and short-circuit the CT input terminals.
- The manufacturer cannot be held responsible for electrical safety in case of improper use of the equipment.
- Products illustrated herein are subject to alteration and changes without prior notice. Technical data and descriptions in the documentation are accurate, to the best of our knowledge, but no liabilities for errors, omissions or contingencies arising there from are accepted.
- A circuit breaker must be included in the electrical installation of the building. It must be installed close by the equipment and within easy reach of the operator. It must be marked as the disconnecting device of the equipment: IEC/EN/BS 61010-1 § 6.11.3.1.
- Clean the device with a soft dry cloth; do not use abrasives, liquid detergents or solvents.



ATTENTION !

- Lire attentivement le manuel avant toute utilisation et installation.
- Ces appareils doivent être installés par un personnel qualifié, conformément aux normes en vigueur en matière d'installations, afin d'éviter de causer des dommages à des personnes ou choses.
- Avant toute intervention sur l'instrument, mettre les entrées de mesure et d'alimentation hors tension et court-circuiter les transformateurs de courant.
- Le constructeur n'assume aucune responsabilité quant à la sécurité électrique en cas d'utilisation impropre du dispositif.
- Les produits décrits dans ce document sont susceptibles d'évoluer ou de subir des modifications à n'importe quel moment. Les descriptions et caractéristiques techniques du catalogue ne peuvent donc avoir aucune valeur contractuelle.
- Un interrupteur ou disjoncteur doit être inclus dans l'installation électrique du bâtiment. Celui-ci doit se trouver tout près de l'appareil et l'opérateur doit pouvoir y accéder facilement. Il doit être marqué comme le dispositif d'interruption de l'appareil : IEC/EN/BS 61010-1 § 6.11.3.1.
- Nettoyer l'appareil avec un chiffon doux, ne pas utiliser de produits abrasifs, détergents liquides ou solvants.



ACHTUNG!

- Dieses Handbuch vor Gebrauch und Installation aufmerksam lesen.
- Zur Vermeidung von Personen- und Sachschäden dürfen diese Geräte nur von qualifiziertem Fachpersonal und unter Befolgung der einschlägigen Vorschriften installiert werden.
- Vor jedem Eingriff am Instrument die Spannungszufuhr zu den Messeingängen trennen und die Stromwandler kurzschließen.
- Bei zweckwidrigem Gebrauch der Vorrichtung übernimmt der Hersteller keine Haftung für die elektrische Sicherheit. Die in dieser Broschüre beschriebenen Produkte können jederzeit weiterentwickelt und geändert werden. Die im Katalog enthaltenen Beschreibungen und Daten sind daher unverbindlich und ohne Gewähr.
- In die elektrische Anlage des Gebäudes ist ein Ausschalter oder Trennschalter einzubauen. Dieser muss sich in unmittelbarer Nähe des Geräts befinden und vom Bediener leicht zugänglich sein. Er muss als Trennvorrichtung für das Gerät gekennzeichnet sein: IEC/EN/BS 61010-1 § 6.11.3.1.
- Das Gerät mit einem weichen Tuch reinigen, keine Scheuermittel, Flüssigreinerer oder Lösungsmittel verwenden.



ADVERTENCIA

- Leer atentamente el manual antes de instalar y utilizar el regulador.
- Este dispositivo debe ser instalado por personal cualificado conforme a la normativa de instalación vigente a fin de evitar daños personales o materiales.
- Antes de realizar cualquier operación en el dispositivo, desconectar la corriente de las entradas de alimentación y medida, y cortocircuitar los transformadores de corriente.
- El fabricante no se responsabilizará de la seguridad eléctrica en caso de que el dispositivo no se utilice de forma adecuada.
- Los productos descritos en este documento se pueden actualizar o modificar en cualquier momento. Por consiguiente, las descripciones y los datos técnicos aquí contenidos no tienen valor contractual.
- La instalación eléctrica del edificio debe disponer de un interruptor o disyuntor. Este debe encontrarse cerca del dispositivo, en un lugar al que el usuario pueda acceder con facilidad. Además, debe llevar el mismo marcado que el interruptor del dispositivo (IEC/EN/BS 61010-1 § 6.11.3.1).
- Limpiar el dispositivo con un trapo suave; no utilizar productos abrasivos, detergentes líquidos ni disolventes.



UPOZORNĚNÍ

- Návod se pozorně pročtete, než začnete regulátor instalovat a používat.
- Tato zařízení smí instalovat kvalifikovaní pracovníci v souladu s platnými předpisy a normami pro předcházení úrazu osob či poškození věcí.
- Před jakýmkoli zásahem do přístroje odpojte měřicí a napájecí vstupy od napětí a zkratujte transformátory proudu.
- Výrobce nenese odpovědnost za elektrickou bezpečnost v případě nevhodného používání regulátoru.
- Výrobky popsané v tomto dokumentu mohou kdykoli projít úpravami či dalším vývojem. Popisy a údaje uvedené v katalogu nemají proto žádnou smluvní hodnotu.
- Spínač či odpojovač je nutno zabudovat do elektrického rozvodu v budově. Musí být nainstalován v těsné blízkosti přístroje a snadno dostupné pracovníku obsluhy. Je nutno ho označit jako vypínací zařízení přístroje: IEC/EN/BS 61010-1 § 6.11.3.1.
- Přístroj čistěte měkkou utěrkou, nepoužívejte abrazivní produkty, tekutá čistidla či rozpouštědla.



AVVERTIZARE!

- Cititi cu atenție manualul înainte de a instala sau utiliza.
- Acest echipament va fi instalat de personal calificat, în conformitate cu standardele actuale, pentru a evita deteriorări sau pericolele.
- Înainte de efectuarea oricărei operațiuni de întreținere asupra dispozitivului, îndepartați toate tensiunile de la intrările de măsurare și de alimentare și scurtcircuitați bornele de intrare CT.
- Producătorul nu poate fi considerat responsabil pentru siguranța electrică în caz de utilizare incorectă a echipamentului.
- Produsele ilustrate în prezentul sunt supuse modificărilor și schimbărilor fără notificare anterioară. Datele tehnice și descrierile din documentație sunt precise, în măsura cunoștințelor noastre, dar nu se acceptă nicio răspundere pentru erorile, omisiunile sau evenimentele neprevăzute care apar ca urmare a acestora.
- Trebuie inclus un disjunctiv în instalația electrică a clădirii. Acesta trebuie instalat aproape de echipament și într-o zonă ușor accesibilă operatorului. Acesta trebuie marcat ca fiind dispozitivul de deconectare al echipamentului: IEC/EN/BS 61010-1 § 6.11.3.1.
- Curățați instrumentul cu un material textil moale și uscat; nu utilizați substanțe abrazive, detergenți lichizi sau solvenți.



ATTENZIONE!

- Leggere attentamente il manuale prima dell'utilizzo e l'installazione.
- Questi apparecchi devono essere installati da personale qualificato, nel rispetto delle vigenti normative impiantistiche, allo scopo di evitare danni a persone o cose.
- Prima di qualsiasi intervento sullo strumento, togliere tensione dagli ingressi di misura e di alimentazione e cortocircuitare i trasformatori di corrente.
- Il costruttore non si assume responsabilità in merito alla sicurezza elettrica in caso di utilizzo improprio del dispositivo.
- I prodotti descritti in questo documento sono suscettibili in qualsiasi momento di evoluzioni o di modifiche. Le descrizioni ed i dati a catalogo non possono pertanto avere alcun valore contrattuale.
- Un interruttore o disgiuntore va compreso nell'impianto elettrico dell'edificio. Esso deve trovarsi in stretta vicinanza dell'apparecchio ed essere facilmente raggiungibile da parte dell'operatore. Deve essere marchiato come il dispositivo di interruzione dell'apparecchio: IEC/EN/BS 61010-1 § 6.11.3.1.
- Pulire l'apparecchio con panno morbido, non usare prodotti abrasivi, detergenti liquidi o solventi.



UWAGA!

- Przed użyciem i instalacją urządzenia należy uważnie przeczytać niniejszą instrukcję.
- W celu uniknięcia obrażeń osób lub uszkodzenia mienia tego typu urządzenia muszą być instalowane przez wykwalifikowany personel, zgodnie z obowiązującymi przepisami.
- Przed rozpoczęciem jakichkolwiek prac na urządzeniu należy odłączyć napięcie od wejść pomiarowych i zasilania oraz zewrzeć zaciski przekładnika prądowego.
- Producent nie przyjmuje na siebie odpowiedzialności za bezpieczeństwo elektryczne w przypadku niewłaściwego użytkowania urządzenia.
- Produkty opisane w niniejszym dokumencie mogą być w każdej chwili udoskonalone lub zmodyfikowane. Opisy oraz dane katalogowe nie mogą mieć w związku z tym żadnej wartości umownej.
- W instalacji elektrycznej budynku należy uwzględnić przełącznik lub wyłącznik automatyczny. Powinien on znajdować się w bliskim sąsiedztwie urządzenia i być łatwo osiągalny przez operatora. Musi być oznaczony jako urządzenie służące do wyłączenia urządzenia: IEC/EN/BS 61010-1 § 6.11.3.1.
- Urządzenie należy czyścić miękką szmatką, nie stosować środków ściernych, płynnych detergentów lub rozpuszczalników.



警告!

- 安装或使用前，请仔细阅读本手册。
- 本设备只能由合格人员根据现行标准进行安装，以避免造成损坏或安全危害。
- 对设备进行任何维护操作前，请移除测量输入端和电源输入端的所有电压，并短接CT输入端。
- 制造商不负责因设备使用不当导致的电气安全问题。
- 此处说明的产品可能会有变更，恕不提前通知。我们竭力确保本文件中技术数据和说明的准确性，但对于错误、遗漏或由此产生的意外事件概不负责。
- 建筑电气系统中必须装有断路器。断路器必须安装在靠近设备且方便操作人员触及的地方。必须将断路器标记为设备的断开装置：IEC/EN/BS 61010-1 § 6.11.3.1
- 请使用柔软的干布清洁设备；切勿使用研磨剂、洗涤剂或溶剂。



ПРЕДУПРЕЖДЕНИЕ!

- Прежде чем приступать к монтажу или эксплуатации устройства, внимательно ознакомьтесь с содержанием настоящего руководства.
- Во избежание травм или материального ущерба монтаж должен осуществляться только квалифицированным персоналом в соответствии с действующими нормативами.
- Перед проведением любых работ по техническому обслуживанию устройства необходимо обесточить все измерительные и питающие входные контакты, а также замкнуть накоротко входные контакты трансформатора тока (ТТ).
- Производитель не несет ответственность за обеспечение электробезопасности в случае ненадлежащего использования устройства.
- Изделия, описанные в настоящем документе, в любой момент могут подвергнуться изменению или усовершенствованию. Поэтому каталожные данные и описания не могут рассматриваться как действительные с точки зрения контрактов
- Электрическая сеть здания должна быть оснащена автоматическим выключателем, который должен быть расположен вблизи оборудования в пределах доступа оператора. Автоматический выключатель должен быть промаркирован как отключающее устройство оборудования: IEC/EN/BS 61010-1 § 6.11.3.1.
- Очистку устройства производить с помощью мягкой сухой ткани, без применения абразивных материалов, жидких мощных средств или растворителей.



DİKKAT!

- Montaj ve kullanımdan önce bu el kitabını dikkatlice okuyunuz.
- Bu aparatlar kişilere veya nesnelere zarar verme ihtimaline karşı yürürlükte olan sistem kuma normlarına göre kalifiye personel tarafından monte edilmelidir
- Aparata (çihaz) herhangi bir müdahalede bulunmadan önce ölçüm girişlerindeki genilimi kesip akım transformatorlerinede kısa devre yaptırınız.
- Üretici aparatın hatalı kullanımından kaynaklanan elektriksel güvenliği ait sorumluluk kabul etmez.
- Bu dokümanda tarif edilen ürünler her an evrimlere veya değişimlere açıktır. Bu sebeple katalogdaki tarif ve değerler herhangi bir bağlayıcı değeri haiz değildir.
- Binanın elektrik sisteminde bir anahtar veya şalter bulunmalıdır. Bu anahtar veya şalter operatörün kolaylıkla ulaşabileceği yakın bir yerde olmalıdır. Aparat (çihaz) devreden çıkartma görevi yapan bu anahtar veya şalterin markası: IEC/EN/BS 61010-1 § 6.11.3.1.
- Aparat (çihaz) sıvı deterjan veya solvent kullanarak yumuşak bir bez ile siliniz ardından temizlik ürünleri kullanmayınız.



UPOZORENJE!

- Prije instalacije ili korištenja uređaja, pažljivo pročitate upute.
- Ovak uređaj mora instalirati, u skladu s važećim normama, obučena osoba kako bi se izbjegle štete ili sigurnosne opasnosti.
- Prije bilo kakvog zahvata na uređaju otpojite napajanje s mjernih i napajajućih ulaza i kratko spojite ulazne stezaljke strujnog transformatora.
- Produvač ne snosi odgovornost za električnu sigurnost u slučaju nepravilnog korištenja opreme.
- Ovdje prikazan uređaj predmet je stalnog usavršavanja i promjena bez prethodne najave. Tehnički podaci i opisi u ovom uputama su točni, ali ne preuzimamo odgovornost za možebitne nenamjerne greške.
- U električnu instalaciju zgrade mora biti instaliran prekidač. On mora biti instaliran blizu uređaja i na dohvata ruke operatera, te označen kao rastavljač u skladu s normom IEC/EN/BS 61010-1 § 6.11.3.1
- Uređaj čistite s mekom, suhom krpom bez primjene abraziva, tekućina, otapala ili deterdženta.



INDEX	Page	Page	
Manual revision history	2	Rapid CT setup	6
Introduction	2	Parameter table	7
Description	2	Alarms	10
Keyboard functions	2	Alarm description	10
Display indications	3	Default alarm properties	10
Operating modes	4	Command menu	10
Measures	5	CX02 dongle usage	11
Keypad lock	5	Installation	11
Expandability	5	Wiring diagrams	11
IR programming port	6	Terminal position	13
Parameter setting with PC	6	Mechanical dimensions and Panel cutout	13
Parameters setting (setup) from front panel	6	Technical characteristics	14

INTRODUCTION

The DCRL automatic power factor control unit has been designed to offer state-of-the-art functions for power factor compensation applications. Built with dedicated components and extremely compact, the DCRL combines the modern design of the front panel with practical installation and the possibility of expansion from the rear, where one EXP series module can be slotted. The LCD screen provides a clear and intuitive user interface.

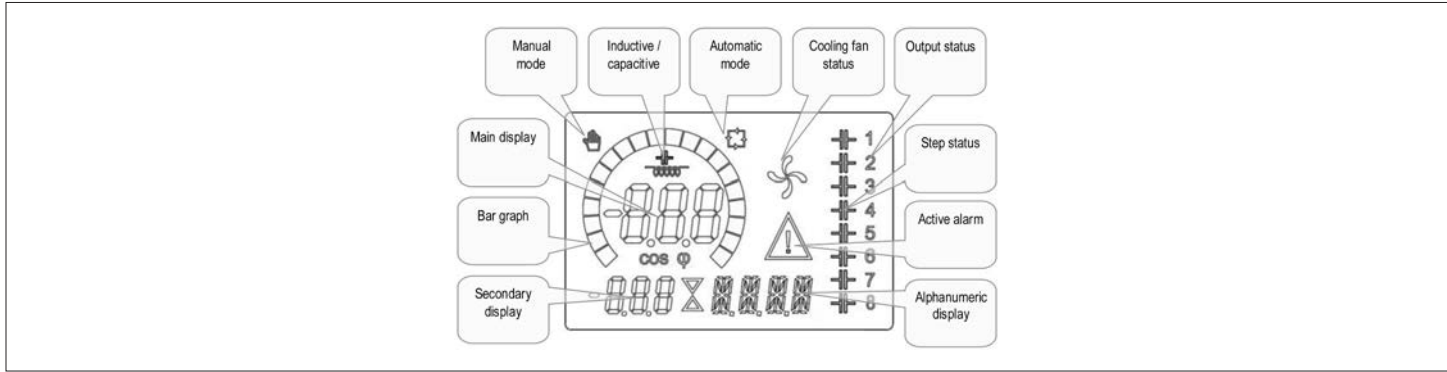
DESCRIPTION

- Automatic power factor controller
- Flush-mount, standard 96x96mm housing
- Backlit LCD screen
- Versions:
 - DCRL3 with 3 relays, expandable to 6 max.
 - DCRL5 with 5 relays, expandable to 8 max.
- 4 navigation keys for function and settings
- Alarm messages in 6 languages
- Expansion bus with 1 slot for EXP series expansion modules:
 - RS232, RS485, USB communications interface
 - Additional relay outputs
- High accuracy TRMS measurements
- Wide selection of electrical measures, including voltage and current THD with harmonic analysis up to 15th order
- Voltage input separated from power supply, suitable for VT connection in medium voltage applications
- Wide-range power supply (100-440VAC)
- Front optical programming interface: galvanically isolated, high speed, waterproof, USB and WiFi dongle compatible
- Programming from front panel, from PC or from tablet/smartphone
- 2-level password protection for settings
- Backup copy of original commissioning settings
- Built-in temperature sensor
- Tool-less panel mount.

FRONT KEYBOARD

- MODE Key** – Used to select among available measurements. Used also to access programming menus.
- ▲ and ▼ keys** – Used to set values and to select steps.
- MAN-AUT key** – Used to select operating mode between manual and automatic.

DISPLAY INDICATIONS



OPERATING MODES

There are three possible operating modes, listed below:

TEST Mode

- When the unit is brand new and has never been programmed, it automatically enters in TEST mode that allows the installer to manually activate the individual relay outputs, so you can verify the correct wiring of the panel
- The TEST mode is indicated by three dashes --- shown on the main display
- The activation and deactivation of the outputs is done directly by pushing ▲ and ▼ buttons, but without considering the reconnection time
- The TEST mode is automatically left after the parameter programming is done (see Parameter setting chapter).

1377 GB | 02 21



MAN and AUT Modes

- The icons AUT and MAN indicate the operating mode automatic or manual
- To change the mode, press the MAN / AUT button for 1 sec in a row
- The operating mode remains stored even after removing and reapplying the power supply voltage.

MAN Mode

- When the unit is in manual mode, you can select one of the steps and manually connected or disconnect it
- In addition to the specific icon, the alphanumeric display shows MAN in order to highlight the manual mode condition. Press MODE to view the other measurements as usual
- While the display shows MAN, it is possible to select the step to be switched on or off. To select a step, use the ▲ or ▼ buttons. The selected step will flash quickly
- Press MODE to activate or deactivate the selected step
- If the selected step has not yet exhausted the reconnection time, the MAN icon will flash to indicate that the transaction has been accepted and will be conducted as soon as possible
- Manual configuration of the steps is maintained even when the power supply voltage is removed. When the power returns, the original state of the steps is restored.



AUT Mode

- In automatic mode, the controller calculates the optimum configuration of capacitor steps in order to reach the set $\cos\phi$
- The selection criteria takes into account many variables such as: the power of each step, the number of operations, the total time of use, the reconnection time, etc
- The controller displays the imminent connection or disconnection of the steps with the flashing of their identification number (left). The flashing can last in cases in which the insertion of a step is not possible due to the reconnection time (discharge time of the capacitor)
- The device initiates automatic corrections when there is an average reactive power request (delta-kvar) higher than 50% of the smallest step, and the measured $\cos\phi$ is different from the setpoint.

MEASURES

- The DCRL provides a set of measurements displayed on the alphanumeric display, in conjunction with the current cosphi that is always displayed on the main display
- Press the MODE key to scroll through the measures in rotation
- After 30 seconds without pressing any buttons, the display automatically returns to the default measurement defined by P.47
- If P.47 is set on the ROT, then the measures rotate automatically every 5 seconds
- At the bottom of the list of measures it is possible to set the setpoint of the cosphi, acting on the same value set with P.19
- Below is a table with the measurements displayed.

1877 GB | 02 21

MEASUREMENT	ICON	DESCRIPTION
Delta-kvar	Δ kvar	Kvars needed to reach the cosphi setpoint. If delta-kvar is positive capacitors need to be inserted, if negative to be disconnected.
	kvar	Total kvar of the plant.
	Δ STEP	Number of equivalent steps.
MODE		
Voltage	V	RMS voltage of the plant current.
	V HI	Maximum peak of measure.
MODE		
Current	A	RMS current of the plant voltage.
	A HI	Maximum peak of measure.
MODE		
Weekly PF	WPF	Weekly average power factor.
	PF	Instantaneous total power factor.
MODE		
Cap. current	%C.CU	Calculated capacitor current, in % of their nominal.
	%C.HI	Maximum peak of measure.
MODE		
Temperature	$^{\circ}$ C $^{\circ}$ F	Temperature of internal sensor.
	$^{\circ}$ CHI $^{\circ}$ FHI	Maximum peak of measure.
MODE		
Voltage THD	THDV	Total harmonic distortion % (THD) of plant voltage.
	VH02... ...VH15	% voltage harmonic content from 2.nd up to 15.th order
MODE		
Current THD	THDI	Total harmonic distortion % (THD) of plant current.
	IH02... ...IH15	% Current harmonic content from 2.nd up to 15.th order.
MODE		
Cosphi setpoint	IND CAP	Setting of desired cosphi setpoint (same as P.19).
MODE		
Step power	%	Step residual power, as a percentage of the set rated power.
MODE		
Step counter	OPC	Operation counter of the step.
MODE		
Step hours	H	Hour meter of the step insertion.

These measures are shown only if the Step trimming function is enabled (P.25=ON) and the advanced password is enabled and entered.

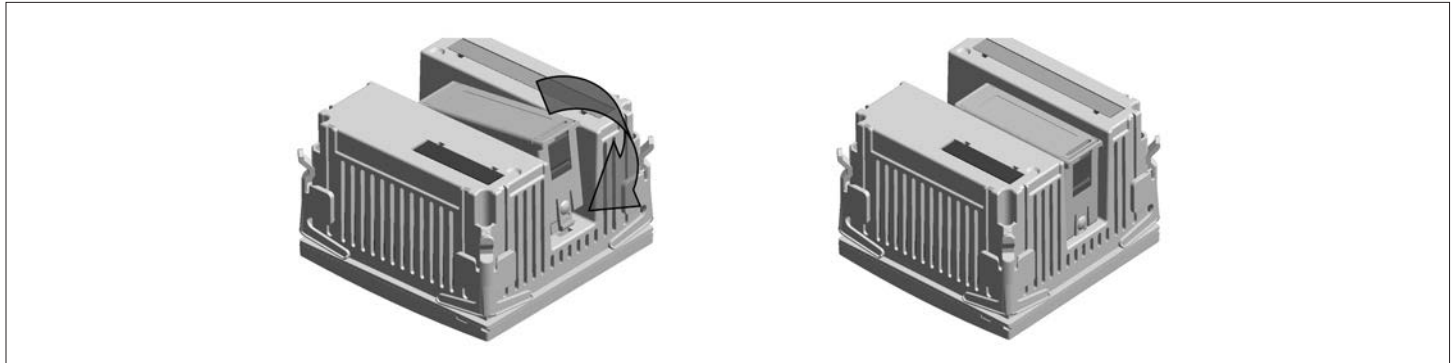
KEYPAD LOCK

- A function to exclude all modification to operating parameters can be enabled; measurement viewing is still provided in any case
- To lock and unlock the keypad, press and keep MODE key pressed. Then press the ▲ key three times and the ▼ key twice and after that release MODE
- The display will show LOC when the keypad is locked and UNL when it is unlocked
- When the lock is enabled, it is not possible to make the following operations:
 - Operation between automatic and manual mode
 - Access to set-up menus
 - Change of cosphi set-point
- By attempting to conduct the above operations, the display will view LOC to indicate the locked keypad state.

EXPANDABILITY

- Thanks to expansion bus, the DCRL can be expanded with one EXP... series module
- The supported EXP modules can be grouped in the following categories:
 - Additional steps
 - Communication modules
 - Digital I/O modules
- To insert an expansion module:
 - Remove the power supply to DCRL
 - Remove the protecting cover of the expansion slot
 - Insert the upper hook of the module into the fixing hole on the top of the expansion slot
 - Rotate down the module body, inserting the connector on the bus
 - Push until the bottom clip snaps into its housing.

1877 GB | 02 21

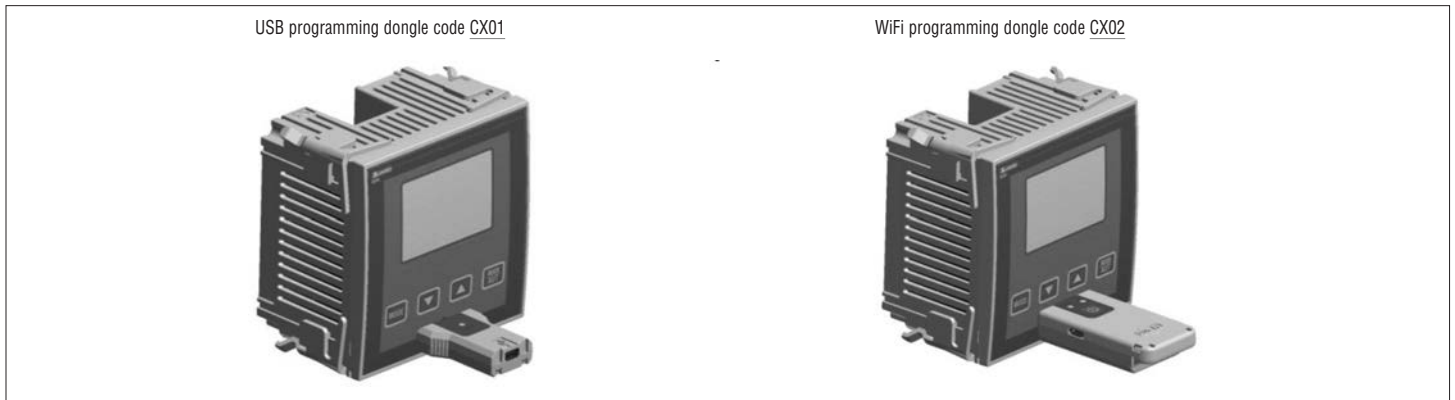


- When the DCRL is powered on, it automatically recognises the EXP module that have been mounted
- The expansion modules provide additional resources that can be used through the dedicated setup menus
- The setup menus related to the expansions are always accessible, even if the expansion modules are not physically fitted
- The following table indicates which models of expansion modules are supported:

MODULE TYPE	CODE	FUNCTION
ADDITIONAL STEPS	EXP 10 06	2 STEP RELAYS
	EXP 10 07	3 STEP RELAYS
DIGITAL I/O	EXP 10 03	2 RELAY C/O
COMMUNICATION	EXP 10 10	USB
	EXP 10 11	RS-232
	EXP 10 12	RS-485

IR PROGRAMMING PORT

- The parameters of the DCRL can be configured through the front optical port, using the IR-USB code CX01 programming dongle, or with the IR-WiFi code CX02 dongle
- This programming port has the following advantages:
 - You can configure and service the DCRL without access to the rear of the device or having to open the electrical panel
 - It is galvanically isolated from the internal circuits of the DCRL, guaranteeing the greatest safety for the operator
 - High speed data transfer
 - IP54 front panel protection
 - Limits the possibility of unauthorized access with device config, since it is necessary to have the CX01 or CX02 dongles
- Simply hold the CX.. dongle up to the front panel, connecting the plugs to the relevant connectors, and the device will be acknowledged as shown by the LINK LED on the programming dongle flashing green.



PARAMETER SETTING WITH PC

- You can use the DCRG Remote control software to transfer (previously programmed) setup parameters from the DCRL to the hard drive of the PC and vice versa
- The parameter may be partially transferred from the PC to the DCRL, transferring only the parameters of the specified menus.

PARAMETER SETTING (SETUP) FROM FRONT PANEL

To access the programming menu (setup):

- To enter parameter programming the unit must be in TEST mode (first programming) or in MAN mode
- From the normal measurement display, press MODE for 3 seconds to recall the main menu. SET is displayed on the main display
- If you have set the password (P.21 = ON) instead of SET the display shows PAS (password entry request). Set the numeric password using ▲ ▼ and then press MAN-AUT to move to next digit
- If the password is correct the unit will show OK U or OK A depending on the entered password is user or the advanced level. The password can be defined with parameters P.22 and P.23. Factory default is 001 and 002 respectively
- If the entered password is wrong the unit will show ERR
- After having entered the password, the access is enabled until the unit is re-initialized or for 2 minutes without pressing any key
- After having entered the password, repeat the procedure to access the parameter setting
- Press ▲ ▼ to select the desired submenu (BAS → ADV → ALA ...) that is shown on the alphanumeric display.



- The following table lists the available submenus:

CODE	DESCRIPTION
BAS	Access to Base menu
ADV	Accesso to Advanced menu
ALA	Accesso to Alarms menu
CMD	Access to Commands menu
CUS	Access to Custom menu
SAVE	Exits saving modifications
EXIT	Exits without saving (cancel)

- Press MAN-AUT to access the submenu
- When you are in a submenu, the main display shows the code of the selected parameter (eg P.01), while the numeric/alphanumeric displays at the bottom of the screen show the parameter value and / or description
- Press MAN-AUT to advance in the selection of items (such as scroll through parameters P.01 → P.02 → P.03...), or press MODE to go back to the previous parameter
- While a parameter is selected, with ▲ ▼ you can increase/decrease its value.



MODE

Backward



Increment/decrement

MAN-AUT

Forward

- Once you reach the last parameter of the menu, by pressing MAN- AUT once more you return to the submenu selection
- Using ▲ ▼ select SAVE to save the changes or EXIT to cancel.



- Alternatively, from within the programming, holding MAN- AUT for three seconds will save the changes and exit directly
- If the user does not press any key for more than 2 minutes, the system leaves the setup automatically and goes back to normal viewing without saving the changes done on parameters (like EXIT)
- Take into account a backup copy of the setup data (settings that can be modified using the keyboard) can be saved in the eeprom memory of the DCRL. This data can be restored when necessary in the work memory. The data backup 'copy' and 'restore' commands can be found in the Commands menu.

RAPID CT SETUP

- When the CT value is not known and only used at the moment of the installation, the P.01 parameter for CT primary can remain set at OFF while all the others can be programmed
- In this case, during the system installation and once the controller is powered up, the display will show a flashing CT (Current Transformer). By pressing ▲ ▼ the CT primary can be set directly
- Once programmed, press MAN/AUT to confirm. The unit will store the setting into P.01, and directly restart in automatic mode.



PARAMETER TABLE

- Below are listed all the programming parameters in tabular form. For each parameter are indicated the possible setting range and factory default, as well as a brief explanation of the function of the parameter. The description of the parameter shown on the display can in some cases be different from what is reported in the table because of the reduced number of characters available. The parameter code can be used however as a reference
- Note: the parameters shown in the table with a shaded background are essential to the operation of the system, thus they represent the minimum programming required for operation.

BASE MENU

CODE	DESCRIPTION	ACC	UoM	DEF	RANGE
P.01	CT primary	Usr	A	OFF	OFF / 1...10.000
P.02	CT secondary	Usr	A	5	1 / 5
P.03	CT read phase	Usr		L3	L1 L2 L3
P.04	CT wiring polarity	Usr		Aut	Aut Dir Inv
P.05	Voltage read phase	Usr		L1-L2	L1-L2 L2-L3 L3-L1 L1-N L2-N L3-N
P.06	Smallest step power	Usr	Kvar	1.00	0.10 ... 10000
P.07	Rated capacitor voltage	Usr	V	400V	50 ... 50000
P.08	Nominal frequency	Usr	Hz	Aut	Aut 50Hz 60Hz Var
P.09	Reconnection time	Adv	sec	60	1 ... 30000
P.10	Sensitivity	Usr	sec	60	1 ... 1000
P.11	Step 1 function	Usr		OFF	OFF 1...32 ON NOA NCA FAN MAN AUT A01...A13
P.12	Step 2 function	Usr		OFF	=
P.13	Step 3 function	Usr		OFF	=
P.14	Step 4 function	Usr		OFF	=
P.15	Step 5 function	Usr		OFF	=
P.16	Step 6 function	Usr		OFF	=
P.17	Step 7 function	Usr		OFF	=
P.19	Cos-phi setpoint	Usr		0.95 IND	0.50 Ind – 0.50 Cap
P.20	Alarm messages language	Usr		ENG	ENG ITA FRA SPA POR DEU

- P.01** – The value of the primary current transformer. Example: With CT 800/5A, set 800. If set to OFF, after the power-up, the device will prompt you to set the CT and allow direct access to this parameter.
- P.02** – Value of the secondary of the current transformers. Example: With CT 800/5A, set 5.
- P.03** – It defines on which phase the device reads the current signal. The wiring of current inputs must match the value set by this parameter. All possible combinations of parameter P.05 are supported.
- P.04** – Reading the connection polarity of the CT.
AUT = Polarity is automatically detected at power up. It can be used when working with only one CT and when the system has no generating device.
Dir = Automatic detection disabled. Direct connection.
Inv = Automatic detection disabled. Reverse wiring (inverted).
- P.05** – Defines on which and on how many phases the device reads the voltage signal. The wiring of voltage inputs must match the setting for this parameter. All possible combinations of parameter P.03 are supported.
- P.06** – Value in kvar of the smallest step installed (equivalent to the step weight 1). Rated power of the capacitor bank provided at the rated voltage specified in P.07 and referred to the total of the three capacitors for three-phase applications.
- P.07** – Rated plate capacitor, which is delivered in specified power P.06. If the capacitors are used to a voltage different (lower) than nominal, the resulting power is automatically recalculated by the device.
- P.08** – Working frequency of the system:
Aut = automatic selection between 50 and 60 Hz at power on
50Hz = fixed to 50 Hz
60Hz = fixed to 60 Hz
Var = variable, measured continuously and adjusted.
- P.09** – Minimum time that must elapse between the disconnection of one step and the subsequent reconnection both in MAN or AUT mode. During this time the number of the step on the main page is blinking.
 Reconnection time = sensitivity/ delta kvar * smallest step power
- P.10** – Connection sensitivity. This parameter sets the speed of reaction of the controller. With small values of P.10, the regulation is fast (more accurate around the setpoint but with more step operations). With high values, instead there are slower reactions of the regulation, with fewer operations of the steps. The delay time of the reaction is inversely proportional to the request of steps to reach the setpoint: waiting time = (sensitivity / number of steps required).
 Example: Setting the sensitivity to 60s, if a request to insert a step of weight 1, time will be 60s (60/1 = 60). If instead a total of 4 steps are needed, the time is 15s (60/4 = 15).

P.11 ... P.18 – Function of output relays 1 ... 8:

OFF = Not used.

1 ... 32 = Weight of the step. This relay drives a bank of capacitors which power is n times (n = 1...32) the smallest power defined with parameter P.06.

ON = Always on.

NOA = Alarm normally de-energised. The relay is energised when any alarm with the Global alarm property arises.

NCA = Alarm normally energised. The relay is de-energised when any alarm with the Global alarm property arises.

FAN = The relay controls the cooling fan.

MAN = Relay is energised when device is in MAN mode.

AUT = Relay is energised when device is in AUT mode.

A01 ... A13 = The relay is energised when the specified alarm is active.

P.19 – Setpoint (target value) of the cosphi. Used for standard applications.

P.20 – Language of scrolling alarm messages.

ADVANCED MENU

CODE	DESCRIPTION	ACC	UoM	DEF	RANGE
P.21	Password enable	Adv		OFF	OFF ON
P.22	User password	Usr		001	0-999
P.23	Advanced password	Adv		002	0-999
P.24	Type of wiring	Usr		3PH	3PH three-phase 1PH single-phase
P.25	Step trimming	Usr		OFF	ON Enabled OFF Disabled
P.26	Setpoint clearance +	Usr		0.00	0 – 0.10
P.27	Setpoint clearance -	Usr		0.00	0 – 0.10
P.28	Step insertion mode	Usr		STD	STD Standard Lin Linear
P.29	Cogeneration cosφ setpoint	Usr		OFF	OFF / 0.50 IND – 0.50 CAP
P.30	Disconnection sensitivity	Usr	sec	OFF	OFF / 1 – 600
P.31	Step disconnection passing in MAN	Usr		OFF	OFF Disabled ON Enabled
P.32	Capacitor current overload alarm threshold	Adv	%	125	OFF / 100...150
P.33	Capacitor overload immediate disconnection threshold	Adv	%	150	OFF / 100.. 200
P.34	VT primary	Usr	V	OFF	OFF / 50-50000
P.35	VT secondary	Usr	V	100	50-500
P.36	Temperature UoM	Usr		°C	°C °Celsius °F °Fahrenheit
P.37	Fan start temperature	Adv	°	55	0...212
P.38	Fan stop temperature	Adv	°	50	0...212
P.39	Temperature alarm threshold	Adv	°	60	0...212
P.40	Step failure alarm threshold	Adv	%	OFF	OFF / 25...100
P.41	Maximum voltage alarm threshold	Adv	%	120	OFF / 90...150
P.42	Minimum voltage alarm threshold	Adv	%	OFF	OFF / 60..110
P.43	THD V alarm threshold	Adv	%	OFF	OFF / 1..250
P.44	THD I alarm threshold	Adv	%	OFF	OFF / 1..250
P.45	Maintenance interval in hr	Adv	h	9000	OFF / 1 - 30000
P.46	Bar-graph function	Usr		Kvar ins/tot	Kvar ins/tot Corr att/nom Delta kvar att/tot
P.47	Default auxiliary measurement	Usr		Delta kvar	Deltakvar V A Week TPF Cap. Current Temp THDV THDI ROT
P.48	Backlight flashing on alarm	Usr		OFF	OFF ON
P.49	Serial node address	Usr		01	01-255
P.50	Serial speed	Usr	bps	9.6k	1.2k 2.4k 4.8k 9.6k 19.2k 38.4k
P.51	Data format	Usr		8 bit – n	8 bit, no parity 8 bit, odd 8 bit, even 7 bit, odd 7 bit, even
P.52	Stop bits	Usr		1	1-2
P.53	Protocol	Usr		Modbus RTU	Modbus RTU Modbus ASCII
P.54	Operations maintenance interval	Adv	kcnt	OFF	OFF / 1-60

1377 GB | 02_21

- P.21** – If set to OFF, password management is disabled and anyone has access to the settings and commands menu.
- P.22** – With P.21 enabled, this is the value to specify for activating user level access. See Password access chapter.
- P.23** – As for P.22, with reference to Advanced level access.
- P.24** – Number of phases of the power correction panel.
- P.25** – Enables the measurement of the actual power of the step, performed each time they are switched in. The measure is calculated, as the current measurement is referred to the whole load of the plant. The measured power of the steps is adjusted (trimmed) after each switching and is displayed on the step life statistic page. When this function is enabled, a 15 sec pause is inserted between the switching of one step and the following, necessary to measure the reactive power variation.
- P.26 - P.27** – Tolerance around the setpoint. When the cosphi is within the range delimited by these parameters, in AUT mode the device does not connect / disconnect steps even if the delta-kvar is greater than the smallest step.
Note: + means 'towards inductive', while - means 'towards capacitive'.
- P.28** – Selecting mode of steps insertion.
Standard mode - Normal operation with free selection of the steps
Linear mode - The steps are connected in progression from left towards right only following the step number and according to the LIFO (Last In First Out) logic. When the system steps are of different ratings, the controller will not connect the next step should the set-point value be exceeded.
- P.29** – Setpoint used when the system is generating active power to the supplier (with active power / power factor both negative).
- P.30** – Disconnection sensitivity. Same as the previous parameter but related to disconnection. If set to OFF, the disconnection has the same reaction time of connection set with the previous parameter.
- P.31** – If set to ON, when switching from AUT to MAN mode, steps are disconnected in sequence.
- P.32** – Trip Threshold for the capacitors overload protection (alarm A08), that will trip after a integral delay time, inversely proportional to the value of the overload.
Note: You can use this protection only if the capacitors are not equipped with filtering devices such as inductors or similar.
- P.33** – Threshold beyond which the integral delay for tripping of the overload alarm is zeroed, causing the immediate activation of A08 alarm.
- P.34 - P.35** – Data of VTs eventually used in the wiring diagrams.
- P.36** – Unit of measure for temperature.
- P.37 - P.38** – Start and stop temperature for the cooling fan of the panel, expressed in the unit set by P.36. The cooling fan is started when the temperature is more than P.37 and it is stopped when it is less than P.38.
- P.39** – Threshold for generation of alarm A08 Panel temperature too high .
- P.40** – Percentage threshold of the residual power of the steps, compared with the original power programmed in main menu. Below this threshold the alarm A13 step failure is generated.
- P.41** – Maximum voltage alarm threshold, referred to the rated voltage set with P.07, beyond which alarm A06 Voltage too high is generated.
- P.42** – Undervoltage alarm threshold, referred to the rated voltage set with P.07, below which alarm A05 voltage too low is generated.
- P.43** – Maximum system voltage THD alarm threshold, beyond which alarm A10 THDV too high is generated.
- P.44** – Maximum system current THD alarm threshold beyond which alarm A05 voltage too low is generated.
- P.45** – Maintenance interval in hours. When it is elapsed, alarm A12 maintenance interval is generated. The hour count increments as long as the device is powered.
- P.46** – Function of the semi-circular bar-graph.
kvar ins/tot: The bar graph represents the amount of kvar actually inserted, with reference to the total reactive power installed in the system.
Curr act/nom: Percentage of actual system current with reference to the maximum current of the CT.
Delta kvar: bar graph with central zero. It represents the positive/negative delta-kvar needed to reach the setpoint, compared to the total kvar installed.
- P.47** – Default measurement shown on the secondary display. Setting the parameter to ROT, the different measurements are show in sequential rotation.
- P.48** – If set to ON, the display backlight flashes in presence of one or more active alarms.
- P.49** – Serial (node) address of the communication protocol.
- P.50** – Communication port transmission speed.
- P.51** – Data format. 7 bit settings can only be used for ASCII protocol.
- P.52** – Stop bit number.
- P.53** – Select communication protocol.
- P.54** – Defines the number of step operations (considering the step that has the highest count) beyond which the maintenance alarm A12 is generated. This parameter should be used as alternative to P.45. If both P.45 and P.54 are set to a value other than OFF, then P.45 has priority.
When changing from threshold use defined by P.45 to P.54 or vice versa, it is important to clear the maintenance interval using command C01, and the counting of step operations using C02.

ALARM MENU

CODE	DESCRIPTION	ACC	UoM	DEF	RANGE
P.61	A01 Alarm enable	Adv		ALA	OFF ON ALA DISC A+D
P.62	A01 alarm delay	Adv		15	0-240
P.63	A01 delay UOM	Adv		Min	Min Sec
...
P.97	A13 Alarm enable	Adv		ALA	OFF ON ALA DISC A+D
P.98	A13 alarm delay	Adv		120	0-240
P.99	A13 delay UOM	Adv		Sec	Min Sec

- P.61** – Enable alarm A01 and defines the behavior of the controller when the alarm is active:
OFF – Alarm disabled
ON – Alarm enabled, only visual
ALA – Alarm enabled, global alarm relay energized (if set)
DISC – Alarm enabled, logoff step
A + D = Alarm relay energized and disconnection of the steps.
Note: When you access the parameters P.61, P.64, P.67, etc., the auxiliary display shows the relative alarm code.
- P.62** – Delay alarm A01.
- P.63** – Unit of delay alarm A01.
- P.64** – Like P.61 for alarm A02.
- P.65** – Like P.62 for alarm A02.
- P.66** – Like P.63 for alarm A02.
- ...
- P.97** – Like P.61 for alarm A13.
- P.98** – Like P.62 for alarm A13.
- P.99** – Like P.63 for alarm A13.

ALARMS

- When an alarm is generated, the display will show an alarm icon, the code and the description of the alarm in the language selected
- If the navigation keys in the pages are pressed, the scrolling message showing the alarm indications will disappear momentarily, to reappear again after 30 seconds
- Alarms are automatically reset as soon as the alarm conditions that have generated them disappear
- In the case of one or more alarms, the behaviour of the DCRL depends on the properties settings of the active alarms.

ALARM DESCRIPTION

CODE	DESCRIPTION	ALARM EXPLANATION
A01	Undercompensation	In automatic mode, all the available steps are connected but the cosphi is still more inductive than the setpoint.
A02	Overcompensation	In automatic mode, all the steps are disconnected but the cosphi is still more capacitive than the setpoint.
A03	Current too low	The current flowing in the current inputs is lower than minimum measuring range. This condition can occur normally if the plant has no load.
A04	Current too high	The current flowing in the current inputs is lower than minimum measuring range.
A05	Voltage too low	The measured voltage is lower than the threshold set with P.42.
A06	Voltage too high	The measured voltage is higher than the threshold set with P.41.
A07	Capacitor current overload	The calculated capacitor current overload is higher than threshold set with P.32 and P.33. After the alarm conditions have disappeared, the alarm message remains shown for the following 5 min or until the user presses a key on the front.
A08	Temperature too high	The panel temperature is higher than threshold set with P.39.
A09	No-Voltage release	A no-voltage release has occurred on the line voltage inputs, lasting more than 8ms.
A10	Voltage THD too high	The THD of the plant voltage is higher than the threshold set with P.43.
A11	Current THD too high	The THD of the plant current is higher than the threshold set with P.44.
A12	Maintenance requested	The maintenance interval set with P.45 has elapsed. To reset the alarm use the command C.01 (see Command menu).
A13	Step failure	The residual power of one or more steps is lower than minimum threshold set with P.40.

DEFAULT ALARM PROPERTIES

CODE	DESCRIPTION	ENABLE	ALARM RELAY	DISCONNECTION	DELAY
A01	Undercompensation	●	●		15min
A02	Overcompensation	●			120s
A03	Current too low	●		●	5s
A04	Current too high	●			120s
A05	Voltage too low	●	●		5s
A06	Voltage too high	●	●		15min
A07	Capacitor current overload	●	●	●	180s
A08	Temperature too high	●	●	●	30s
A09	No-Voltage release	●		●	0s
A10	Voltage THD too high	●	●	●	120s
A11	Current THD too high	●	●	●	120s
A12	Maintenance requested	●			0s
A13	Step failure	●	●		0s

COMMANDS MENU

- The commands menu allows executing some occasional operations like reading peaks resetting, counters clearing, alarms reset, etc
- If the Advanced level password has been entered, then the commands menu allows executing the automatic operations useful for the device configuration
- The following table lists the functions available in the commands menu, divided by the access level required
- With controller in MAN mode, press the MODE button for 5 seconds
- Press ▲ to select CMD
- Press MAN-AUT to access the Commands menu
- Select the desired command with MODE or MAN-AUT
- Press and hold for three seconds ▲ if you want to execute the selected command. DCRL shows OK? with a countdown
- If you press and hold ▲ until the end of the countdown the command is executed, while if you release the key before the end, the command is canceled.

CODE	COMMAND	PWD. ACCESS LEVEL	DESCRIPTION
C01	RESET MAINTENANCE	Advanced	Reset maintenance service interval.
C02	RESET STEP COUNT	Advanced	Reset step operation counters.
C03	RESET STEP TRIMMING	Advanced	Reload originally programmed power into step trimming.
C04	RESET STEP HOURS	Advanced	Reset step operation hour meters.
C05	Reset max VALUES	Advanced	Reset maximum peak values.
C06	RESET WEEKLY TPF	Advanced	Resets weekly total power factor history.
C07	SETUP TO DEFAULT	Advanced	Resets setup programming to factory default.
C08	SETUP BACKUP	Advanced	Makes a backup copy of user setup parameters settings.
C09	SETUP RESTORE	Advanced	Reloads setup parameters with the backup of user settings.

CX02 DONGLE USAGE

- The CX02 dongle offers WiFi Access point capability for connection to PC, Tablet or smartphones. In addition to this function it also offer the possibility to store and transfer a block of data from/to the DCRL
- Insert the interface CX02 into the IR port of DCRL on the front plate
- Switch CX02 on by pressing the button for 2 sec
- Wait until the LINK LED becomes orange flashing
- Press 3 times consecutively and fast the dongle button
- At this point the display of the DCRL shows the first of the 6 possible commands (D1...D6)
- Press ▲ ▼ to select the desired command
- Press MAN-AUT to execute the selected command. The unit will prompt for a confirmation (OK?). Press once again MAN-AUT to confirm or MODE to cancel
- The following table lists the possible commands:

CODE	COMMAND	DESCRIPTION
D1	SETUP DEVICE → CX02	Copies Setup settings from DCRL to CX02.
D2	SETUP CX02 → DEVICE	Copies Setup settings from CX02 to DCRL.
D3	CLONE DEVICE → CX02	Copies Setup settings and working data from DCRL to CX02.
D4	CLONE CX02 → DEVICE	Copies Setup settings and working data from CX02 to DCRL.
D5	INFO DATA CX02	Shows information about data stored into CX02.
D6	EXIT	Exits from dongle menu.

- For additional details see CX02 Operating manual.

INSTALLATION

- DCRL is designed for flush-mount installation. With proper mounting, it guarantees IP54 front protection
- From inside the panel, for each four of the fixing clips, position the clip in one of the two sliding guide, then press on the clip corner until the second guide snaps in
- Push the clip forward pressing on its side and making it slide on the guides until it presses completely on the internal surface of the panel.

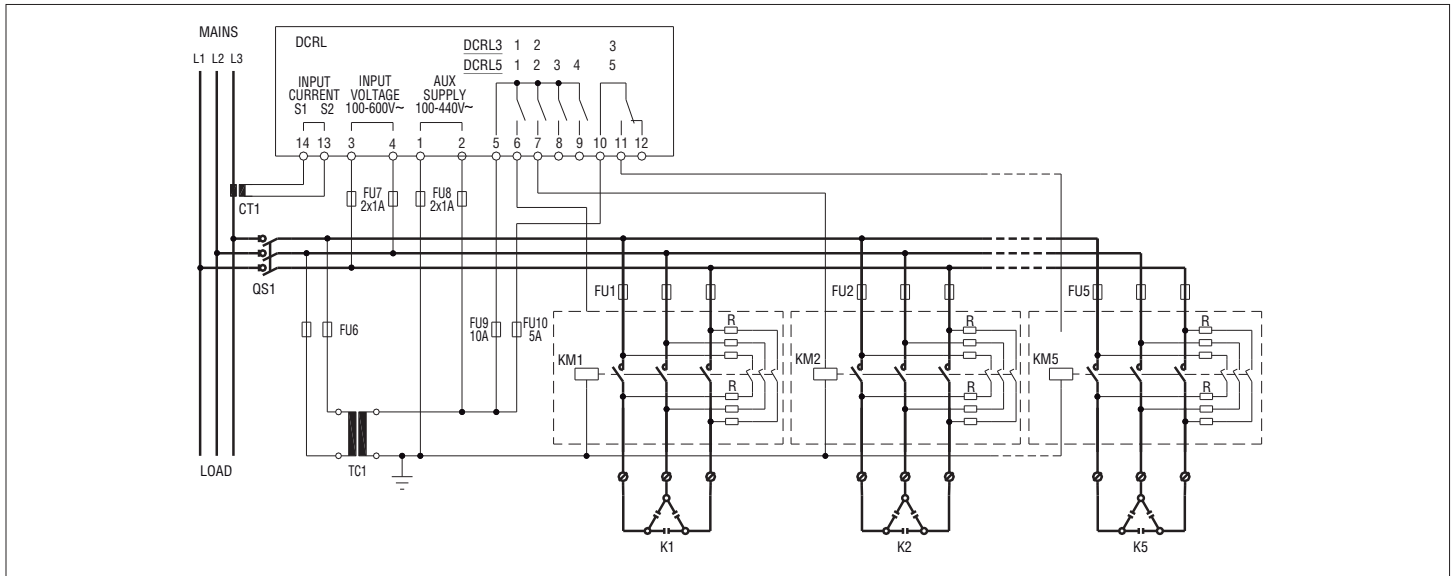


- For the electrical connections see the wiring diagrams in the dedicated chapter and the requirements reported in the technical characteristics.

WIRING DIAGRAMS

WARNING!
Disconnect the line and the supply when servicing on terminals.

Three-phase standard wiring



THREE-PHASE STANDARD CONNECTION (default)

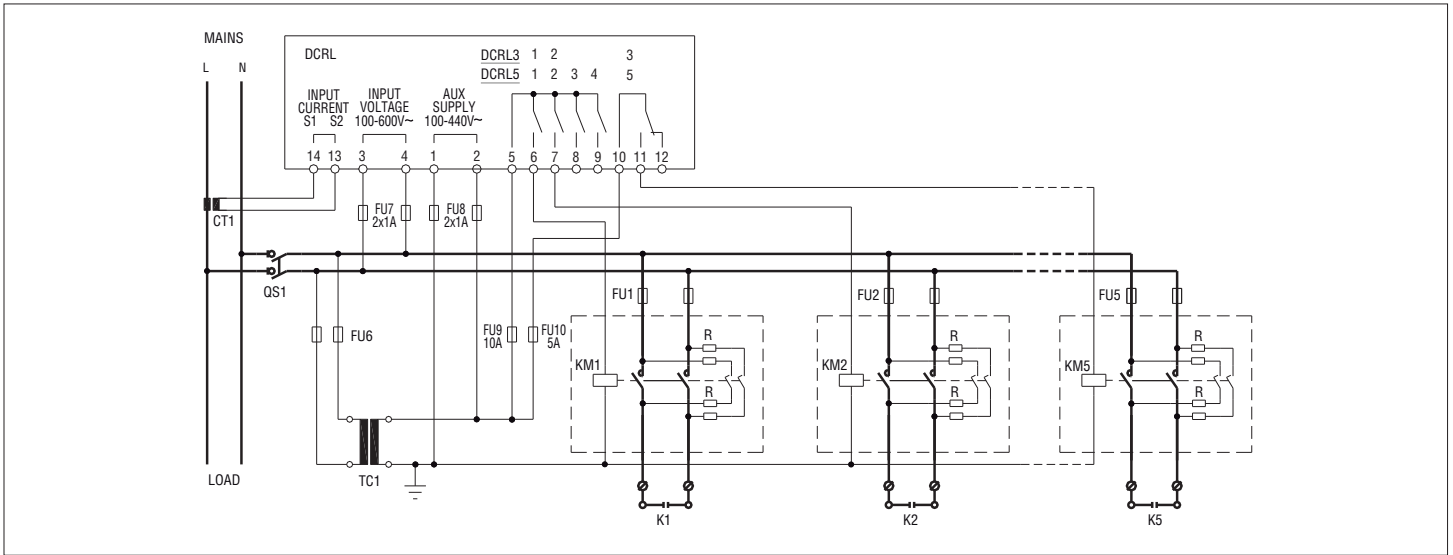
Default wiring configuration for standard applications.

- Voltage measure: 1 ph-to-ph voltage reading L1-L2
- Current measure: L3 phase
- Phase angle offset: Between V (L1-L2) and I (L3) ⇒ 90°
- Capacitor overload current measure: 1 reading calculated on L1-L2
- Parameter setting: P.03 = L3, P.05 = L1-L2, P.24 = 3PH

NOTES

- For three-phase connection, the voltage input must be connected phase to phase; the current transformer must be connected on the remaining phase
- The polarity of the current/voltage input is irrelevant.

Single-phase wiring



SINGLE-PHASE CONNECTION

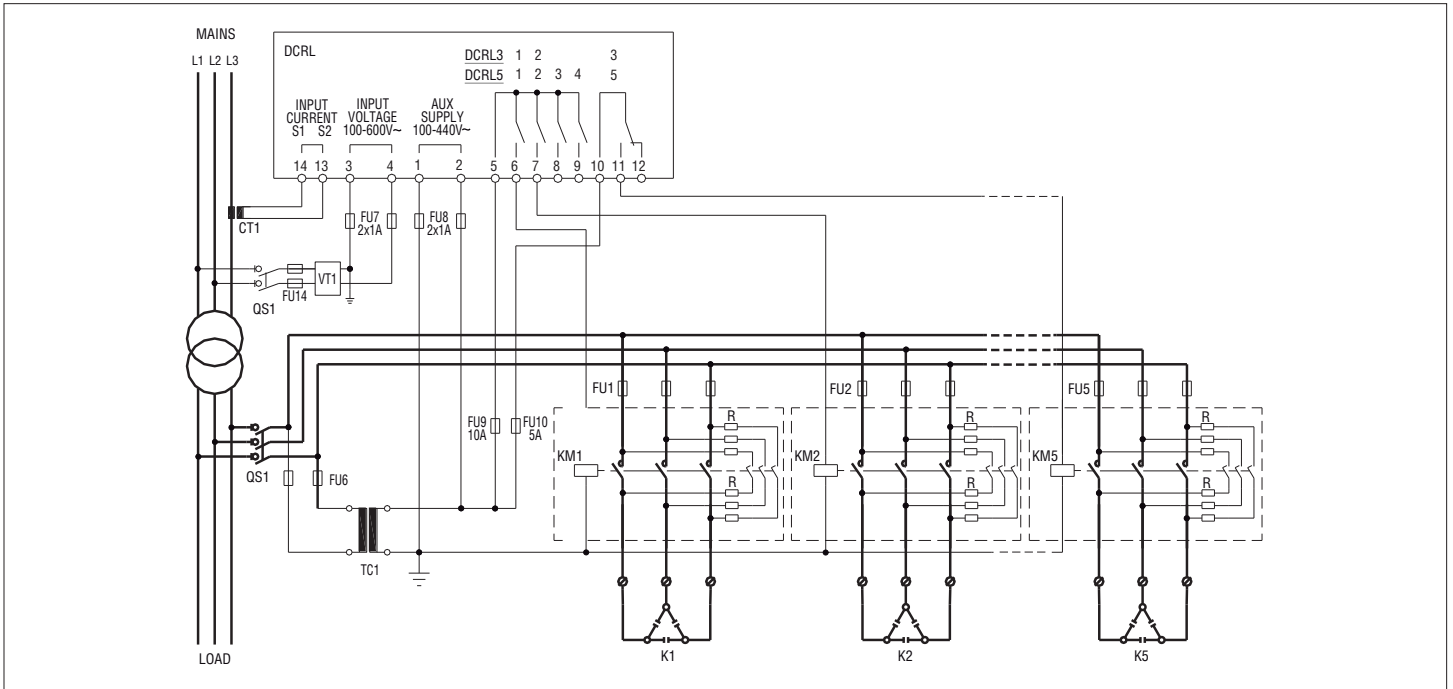
Wiring configuration for single-phase applications

Voltage measure	1 phase voltage reading L1-N
Current measure	L1 phase
Phase angle offset	Between V (L1-N) and I (L1) ⇒ 0°
Capacitor overload current measure	1 reading calculated on L1-N
Parameter setting	P.03 = L1
	P.05 = L1-N
	P.24 = 1PH

NOTES

IMPORTANT!
The polarity of the current/voltage input is indifferent.

MV wiring



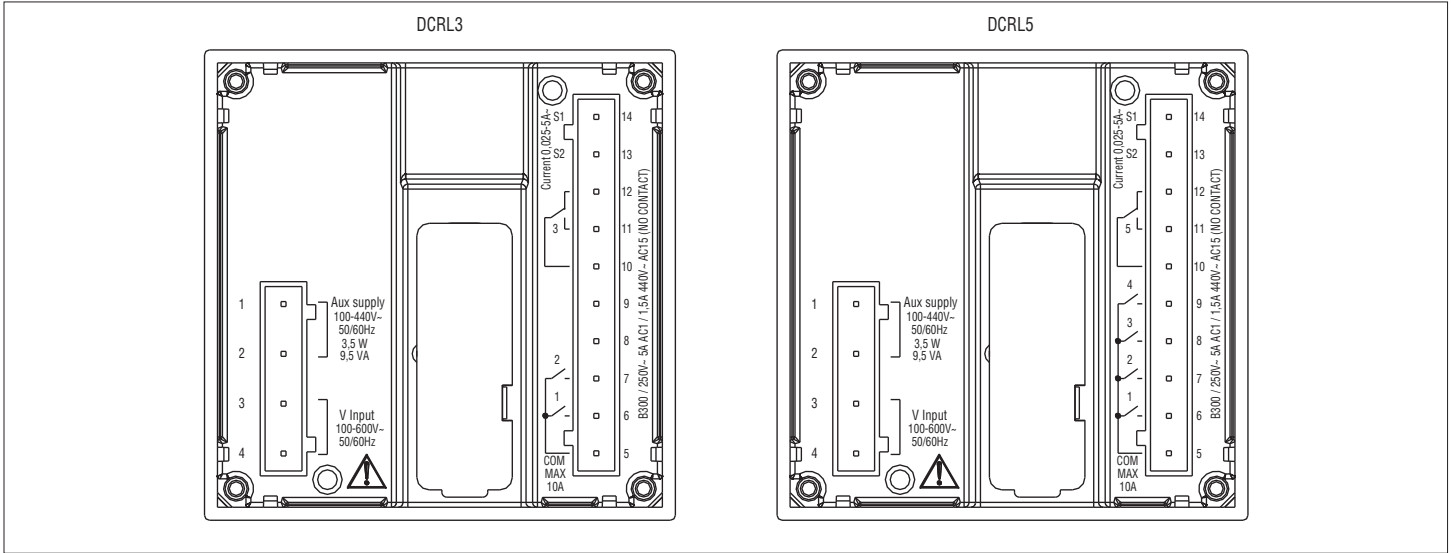
Configuration with MV measurement and correction

Voltage measure	3 ph-to-ph voltage reading L1-L2 on MV side
Current measure	L3 phase
Phase angle offset	90°
Capacitor overload current measure	disabled
Parameter setting	P.03 = L3
	P.05 = L1-L2
	P.24 = 3PH
	P.34 = VT primary
	P.35 = VT secondary

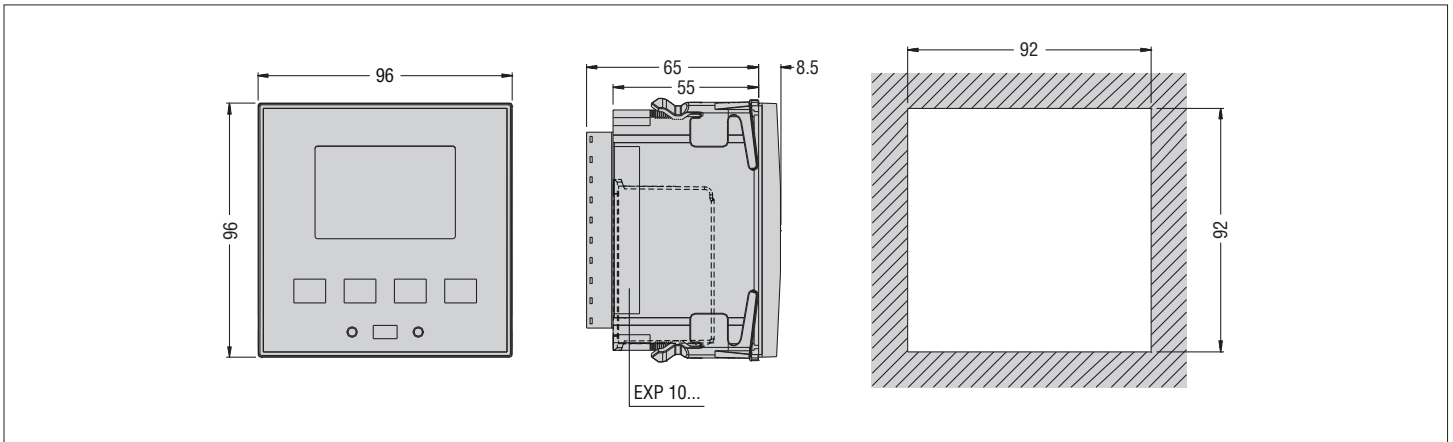
TERMINAL POSITION

1377 GB | 02 21

B
G



MECHANICAL DIMENSIONS AND PANEL CUTOUT [mm]





TECHNICAL CHARACTERISTICS

Supply	
Rated voltage Us ①	100 - 440V~
Operating voltage range	90 - 484V~
Frequency	45 - 66Hz
Power consumption/dissipation	3.5W - 9.5VA

No-voltage release	>= 8ms
Immunity time for microbreakings	<= 25ms
Recommended fuses	F1A (fast)

Voltage inputs	
Maximum rated voltage Ue	600VAC L-L (346VAC L-N)
Measuring range	50...720V L-L (415VAC L-N)
Frequency range	45...66Hz
Measuring method	True RMS
Measuring input impedance	> 0.55MΩ L-N > 1.10MΩ L-L

Wiring mode	Single-phase, two-phase, three-phase with or without neutral or balanced three-phase system.
Accuracy of measurement	1% ±0.5 digit
Recommended fuses	F1A (fast)

Current inputs	
Rated current Ie	1A~ or 5A~
Measuring range	For 5A scale: 0.025 - 6A~ For 1A scale: 0.025 - 1.2A~
Type of input	Shunt supplied by an external current transformer (low voltage). Max. 5A
Measuring method	True RMS
Overload capacity	+20% Ie
Overload peak	50A for 1 second
Accuracy of measurement	± 1% (0.1...1.2In) ±0.5 digit
Power consumption	<0.6VA

Relay output: DCRL3 OUT 1 - 2 / DCRL5 OUT 1 - 4		
Contact type	DCRL3 DCRL5	2 x 1 NO + contact common 4 x 1 NO + contact common
UL Rating		B300 30V= 1A Pilot Duty
Max rated voltage		440V~
Rated current		AC1-5A 250V~ AC15-1.5A 440V~
Maximum current at contact common		10A
Mechanical / electrical endurance		1x10 ⁷ / 1x10 ⁵ ops

Relay output: DCRL3 OUT 3 / DCRL5 OUT 5	
Contact type	1 changeover
UL Rating	B300 / 30V= 1A pilot duty
Max rated voltage	440V~
Rated current	AC1-5A 250V~ AC15-1.5A 440V~ (NO only)
Mechanical / electrical endurance	1x10 ⁷ / 1x10 ⁵ ops

Insulation	
Rated insulation voltage Ui	600V~
Rated impulse withstand voltage Uimp	9.5kV
Power frequency withstand voltage	5.2kV

Ambient conditions	
Operating temperature	-20 - +60°C
Storage temperature	-30 - +80°C
Relative humidity	<80% (IEC/EN/BS 60068-2-78)
Maximum pollution degree	2
Overvoltage category	3
Measurement category	III
Climatic sequence	Z/ABDM (IEC/EN/BS 60068-2-61)
Shock resistance	15g (IEC/EN/BS 60068-2-27)
Vibration resistance	0.7g (IEC/EN/BS 60068-2-6)

Connections	
Terminal type	Plug-in / removable
Conductor cross section (min... max)	0.2...2.5 mm ² (24...12 AWG)
UL Rating	
Conductor cross section (min... max)	0.75...2.5 mm ² (18...12 AWG)
Tightening torque	0.56 Nm (5 lbin / 4-5 lbin per UL)

Housing	
Version	Flush mount
Material	Polycarbonate
Degree of protection	IP54 on front with gasket, if mounted in class IP54 panel or better - IP20 terminals
Weight	340g

Certifications and compliance	
Certifications obtained	cULus/EAC
UL Marking	Use 60°C/75°C copper (CU) conductor only AWG Range: 18 - 12 AWG stranded or solid Field Wiring Terminals Tightening Torque: 4.5lb.in Flat panel mounting on a Type 1 enclosure
Comply with standards	IEC/EN/BS 61010-1, IEC/EN/BS 61010-2-30 IEC/EN/BS 61000-6-2, IEC/EN/BS 61000-6-4 UL508 and CSA C22.2 n°14

① Auxiliary supply connected to a line with a phase-neutral voltage ≤300V



I REGOLATORE DI RIFASAMENTO

Manuale operativo

DCRL3 - DCRL5



WARNING!

- Carefully read the manual before the installation or use.
- This equipment is to be installed by qualified personnel, complying to current standards, to avoid damages or safety hazards.
- Before any maintenance operation on the device, remove all the voltages from measuring and supply inputs and short-circuit the CT input terminals.
- The manufacturer cannot be held responsible for electrical safety in case of improper use of the equipment.
- Products illustrated herein are subject to alteration and changes without prior notice. Technical data and descriptions in the documentation are accurate, to the best of our knowledge, but no liabilities for errors, omissions or contingencies arising there from are accepted.
- A circuit breaker must be included in the electrical installation of the building. It must be installed close by the equipment and within easy reach of the operator. It must be marked as the disconnecting device of the equipment: IEC / EN 61010-1 § 6.11.2.
- Clean the device with a soft dry cloth; do not use abrasives, liquid detergents or solvents.



ATTENTION !

- Lire attentivement le manuel avant toute utilisation et installation.
- Ces appareils doivent être installés par un personnel qualifié, conformément aux normes en vigueur en vigueur en matière d'installations, afin d'éviter de causer des dommages à des personnes ou choses.
- Avant toute intervention sur l'instrument, mettre les entrées de mesure et d'alimentation hors tension et court-circuiter les transformateurs de courant.
- Le constructeur n'assume aucune responsabilité quant à la sécurité électrique en cas d'utilisation impropre du dispositif.
- Les produits décrits dans ce document sont susceptibles d'évoluer ou de subir des modifications à n'importe quel moment. Les descriptions et caractéristiques techniques du catalogue ne peuvent donc avoir aucune valeur contractuelle.
- Un interrupteur ou disjoncteur doit être inclus dans l'installation électrique du bâtiment. Celui-ci doit se trouver tout près de l'appareil et l'opérateur doit pouvoir y accéder facilement. Il doit être marqué comme le dispositif d'interruption de l'appareil : IEC / EN 61010-1 § 6.11.2.
- Nettoyer l'appareil avec un chiffon doux, ne pas utiliser de produits abrasifs, détergents liquides ou solvants.



ACHTUNG!

- Dieses Handbuch vor Gebrauch und Installation aufmerksam lesen.
- Zur Vermeidung von Personen- und Sachschäden dürfen diese Geräte nur von qualifiziertem Fachpersonal und unter Befolgung der einschlägigen Vorschriften installiert werden.
- Vor jedem Eingriff am Instrument die Spannungszufuhr zu den Messeingängen trennen und die Stromwandler kurzschließen.
- Bei zweckwidrigem Gebrauch der Vorrichtung übernimmt der Hersteller keine Haftung für die elektrische Sicherheit.
- Die in dieser Broschüre beschriebenen Produkte können jederzeit weiterentwickelt und geändert werden. Die im Katalog enthaltenen Beschreibungen und Daten sind daher unverbindlich und ohne Gewähr.
- In die elektrische Anlage des Gebäudes ist ein Ausschalter oder Trennschalter einzubauen. Dieser muss sich in unmittelbarer Nähe des Geräts befinden und vom Bediener leicht zugänglich sein. Er muss als Trennvorrichtung für das Gerät gekennzeichnet sein: IEC / EN 61010-1 § 6.11.2.
- Das Gerät mit einem weichen Tuch reinigen, keine Scheuermittel, Flüssigreinerer oder Lösungsmittel verwenden.



ADVERTENCIA

- Leer atentamente el manual antes de instalar y utilizar el regulador.
- Este dispositivo debe ser instalado por personal cualificado conforme a la normativa de instalación vigente a fin de evitar daños personales o materiales.
- Antes de realizar cualquier operación en el dispositivo, desconectar la corriente de las entradas de alimentación y medida, y cortocircuitar los transformadores de corriente.
- El fabricante no se responsabilizará de la seguridad eléctrica en caso de que el dispositivo no se utilice de forma adecuada.
- Los productos descritos en este documento se pueden actualizar o modificar en cualquier momento. Por consiguiente, las descripciones y los datos técnicos aquí contenidos no tienen valor contractual.
- La instalación eléctrica del edificio debe disponer de un interruptor o disyuntor. Este debe encontrarse cerca del dispositivo, en un lugar al que el usuario pueda acceder con facilidad. Además, debe llevar el mismo marcado que el interruptor del dispositivo (IEC / EN 61010-1 § 6.11.2).
- Limpiar el dispositivo con un trapo suave; no utilizar productos abrasivos, detergentes líquidos ni disolventes.



UPOZORNĚNÍ

- Návod se pozorně pročtěte, než začnete regulátor instalovat a používat.
- Tato zařízení smí instalovat kvalifikovaní pracovníci v souladu s platnými předpisy a normami pro předcházení úrazu osob či poškození věcí.
- Před jakýmkoli zásahem do přístroje odpojte měřicí a napájecí vstupy od napětí a zkratujte transformátory proudu.
- Výrobce nenese odpovědnost za elektrickou bezpečnost v případě nevhodného používání regulátoru.
- Výrobky popsané v tomto dokumentu mohou kdykoli projít úpravami či dalším vývojem. Popisy a údaje uvedené v katalogu nemají proto žádnou smluvní hodnotu.
- Spínač či odpojovač je nutno zabudovat do elektrického rozvodu v budově. Musejí být nainstalovány v těsné blízkosti přístroje a snadno dostupné pracovníku obsluhy. Je nutno ho označit jako vypínači zařízení přístroje: IEC / EN 61010-1 § 6.11.2.
- Přístroj čistěte měkkou utěrkou, nepoužívejte abrazivní produkty, tekutá čistidla či rozpouštědla.



AVERTIZARE!

- Cititi cu atentie manualul înainte de instalare sau utilizare.
- Acest echipament va fi instalat de personal calificat, în conformitate cu standardele actuale, pentru a evita deteriorări sau pericolose.
- Înainte de efectuarea oricărei operațiuni de întreținere asupra dispozitivului, îndepărtați toate tensiunile de la intrările de măsurare și de alimentare și scurtcircuitați bornele de intrare CT.
- Producătorul nu poate fi considerat responsabil pentru siguranța electrică în caz de utilizare incorectă a echipamentului.
- Produsele ilustrate în prezentul sunt supuse modificărilor și schimbărilor fără notificare anterioară. Datele tehnice și descrierile din documentație sunt precise, în măsura cunoștințelor noastre, dar nu se acceptă nicio răspundere pentru erorile, omisiunile sau evenimentele neprevăzute care apar ca urmare a acestora.
- Trebuie inclus un disjuncteur în instalația electrică a clădirii. Acesta trebuie instalat aproape de echipament și într-o zonă ușor accesibilă operatorului. Acesta trebuie marcat ca fiind dispozitivul de deconectare al echipamentului: IEC/EN 61010-1 § 6.11.2.
- Curățați instrumentul cu un material textil moale și uscat; nu utilizați substanțe abrazive, detergenți lichizi sau solvenți.



ATTENZIONE!

- Leggere attentamente il manuale prima dell'utilizzo e l'installazione.
- Questi apparecchi devono essere installati da personale qualificato, nel rispetto delle vigenti normative impiantistiche, allo scopo di evitare danni a persone o cose.
- Prima di qualsiasi intervento sullo strumento, togliere tensione dagli ingressi di misura e di alimentazione e cortocircuare i trasformatori di corrente.
- Il costruttore non si assume responsabilità in merito alla sicurezza elettrica in caso di utilizzo improprio del dispositivo.
- I prodotti descritti in questo documento sono suscettibili in qualsiasi momento di evoluzioni o di modifiche. Le descrizioni ed i dati a catalogo non possono pertanto avere alcun valore contrattuale.
- Un interruttore o disgiuntore va compreso nell'impianto elettrico dell'edificio. Esso deve trovarsi in stretta vicinanza dell'apparecchio ed essere facilmente raggiungibile da parte dell'operatore. Deve essere marchiato come il dispositivo di interruzione dell'apparecchio: IEC / EN 61010-1 § 6.11.2.
- Pulire l'apparecchio con panno morbido, non usare prodotti abrasivi, detergenti liquidi o solventi.



UWAGA!

- Przed użyciem i instalacją urządzenia należy uważnie przeczytać niniejszą instrukcję.
- W celu uniknięcia obrażeń osób lub uszkodzenia mienia tego typu urządzenia muszą być instalowane przez wykwalifikowany personel, zgodnie z obowiązującymi przepisami.
- Przed rozpoczęciem jakichkolwiek prac na urządzeniu należy odłączyć napięcie od wejść pomiarowych i zasilania oraz zewrzeć zaciski przekładnika prądowego.
- Producent nie przyjmuje na siebie odpowiedzialności za bezpieczeństwo elektryczne w przypadku niewłaściwego użytkowania urządzenia.
- Produkty opisane w niniejszym dokumencie mogą być w każdej chwili udoskonalone lub zmodyfikowane. Opisy oraz dane katalogowe nie mogą mieć w związku z tym żadnej wartości umownej.
- W instalacji elektrycznej budynku należy uwzględnić przełącznik lub wyłącznik automatyczny. Powinien on znajdować się w bliskim sąsiedztwie urządzenia i być łatwo osiągalny przez operatora. Musi być oznaczony jako urządzenie służące do wyłączania urządzenia: IEC / EN 61010-1 § 6.11.2.
- Urządzenie należy czyścić miękką szmatką, nie stosować środków ściernych, płynnych detergentów lub rozpuszczalników.



警告!

- 安装或使用前，请仔细阅读本手册。
- 本设备只能由合格人员根据现行标准进行安装，以避免造成损坏或安全危害。
- 对设备进行任何维护操作前，请移除测量输入端和电源输入端的所有电压，并短接 CT 输入端。
- 制造商不负责因设备使用不当导致的电气安全问题。
- 此处说明的产品可能会有变更，恕不提前通知。我们竭力确保本文件中技术数据和说明的准确性，但对于错误、遗漏或由此产生的意外事件概不负责。
- 建筑电气系统中必须装有断路器。断路器必须安装在靠近设备且方便操作人员触及的地方。必须将断路器标记为设备的断开装置：IEC/EN 61010-1 § 6.11.2。
- 请使用柔软的干布清洁设备；切勿使用研磨剂、洗涤剂或溶剂。



ПРЕДУПРЕЖДЕНИЕ!

- Прежде чем приступать к монтажу или эксплуатации устройства, внимательно ознакомьтесь с содержанием настоящего руководства.
- Во избежание травм или материального ущерба монтаж должен осуществляться только квалифицированным персоналом в соответствии с действующими нормативами.
- Перед проведением любых работ по техническому обслуживанию устройства необходимо обесточить все измерительные и питающие входные контакты, а также замкнуть коротко входные контакты трансформатора тока (ТТ).
- Производитель не несет ответственность за обеспечение электробезопасности в случае ненадлежащего использования устройства.
- Изделия, описанные в настоящем документе, в любой момент могут подвергнуться изменению или усовершенствованию. Поэтому каталожные данные и описания не могут рассматриваться как действительные с точки зрения контрактов.
- Электрическая сеть здания должна быть оснащена автоматическим выключателем, который должен быть расположен вблизи оборудования в пределах доступа оператора. Автоматический выключатель должен быть промаркирован как отключающее устройство оборудования: IEC / EN 61010-1 § 6.11.2.
- Очистку устройства производить с помощью мягкой сухой ткани, без применения абразивных материалов, жидких моющих средств или растворителей.



DIKKATI!

- Montaj ve kullanımdan önce bu el kitabını dikkatlice okuyunuz.
- Bu aparatlar kişilere veya nesnelere zarar verme ihtimaline karşı yürürlükte olan sistem kurma normlarına göre kalifiye personel tarafından monte edilmelidir.
- Aparata (cihaz) herhangi bir müdahalede bulunmadan önce ölçüm girişlerindeki genilimi kesip akım transformatorlerinede kısa devre yaptırınız.
- Üretici aparatın hatalı kullanımından kaynaklanan elektriksel güvenliği ait sorumluluk kabul etmez.
- Bu dokümanda tarif edilen ürünler her an evrimlere veya değişimlere açıktır. Bu sebeple katalogdaki tarif ve değerler herhangi bir bağlayıcı değeri haiz değildir.
- Binanın elektrik sisteminde bir anahtar veya şalter bulunmalıdır. Bu anahtar veya şalter operatörün kolaylıkla ulaşabileceği yakın bir yerde olmalıdır. Aparatı (cihaz) devreden çıkartma görevi yapan bu anahtar veya şalterin markası: IEC / EN 61010-1 § 6.11.2.
- Aparatı (cihaz) sıvı deterjan veya solvent kullanılarak yumuşak bir bez ile siliniz aşındırıcı temizlik ürünleri kullanmayınız.



INDICE	Pagina	Pagina
Cronologia revisioni manuale	16	Impostazione rapida TA
Introduzione	16	Tabella dei parametri
Descrizione	16	Allarmi
Funzione dei tasti frontali	16	Descrizione degli allarmi
Indicazioni sul display	17	Proprietà di default allarmi
Modi operativi	18	Menu comandi
Misure	19	Utilizzo dongle CX02
Blocco tastiera	19	Installazione
Espandibilità	19	Schemi di collegamento
Porta di programmazione IR	20	Disposizione morsetti
Impostazione parametri da PC	20	Dimensioni meccaniche e foratura pannello
Impostazione parametri da pannello frontale	20	Caratteristiche tecniche

INTRODUZIONE

Il regolatore di rifasamento DCRL è stato progettato incorporando lo stato dell'arte delle funzioni richieste per le applicazioni di rifasamento. Realizzato con un contenitore dedicato, di dimensioni estremamente compatte, il DCRL unisce il moderno design del frontale alla praticità di montaggio e alla possibilità di espansione sul retro, dove è possibile alloggiare un modulo della serie EXP... Il display LCD consente una interfaccia utente chiara ed intuitiva.

DESCRIZIONE

- Regolatore di rifasamento per la regolazione automatica del fattore di potenza.
- Montaggio a pannello, contenitore standard 96x96mm.
- Display LCD retroilluminato.
- Versioni:
 - DCRL3 con 3 gradini, espandibile a 6 max.
 - DCRL5 con 5 gradini, espandibile a 8 max.
- 4 tasti di navigazione per funzioni ed impostazioni.
- Messaggi di allarme con testi in 6 lingue.
- Bus di espansione con 1 slot per moduli di espansione serie EXP:
 - Interfacce di comunicazione RS232, RS485, USB.
 - Uscite a relè aggiuntive
- Elevata accuratezza delle misure in vero valore efficace (TRMS).
- Vasta gamma di misure disponibili, inclusive di THD di tensione e di corrente con analisi delle singole armoniche fino al 15.mo ordine.
- Ingresso di misura tensione separato dalla alimentazione, utilizzabile con TV in applicazioni di media tensione.
- Alimentazione ausiliaria ad ampio range di tensione (100-440 VAC).
- Interfaccia di programmazione ottica frontale, isolata galvanicamente, alta velocità, impermeabile, compatibile con dongle USB e WiFi.
- Programmazione dal fronte, da PC o da tablet/smartphone.
- Protezione impostazioni via password a 2 livelli.
- Copia di salvataggio delle impostazioni originali.
- Sensore di temperatura incorporato.
- Montaggio senza necessità di utensili.

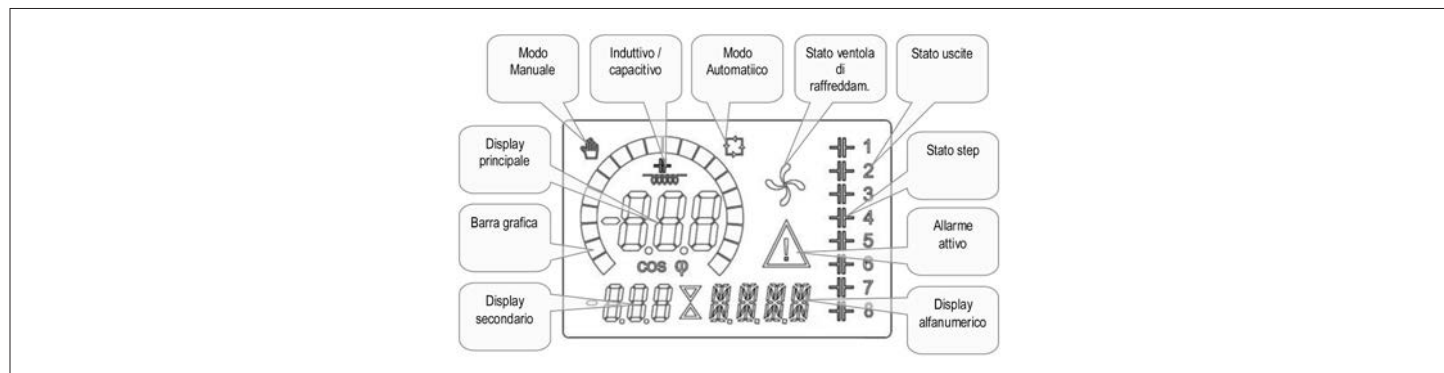
FUNZIONE DEI TASTI FRONTALI

Tasto MODE – Selezione a rotazione fra le misure disponibili. Usato anche per l'accesso ai menu di programmazione.

Tasti ▲ e ▼ – Servono per impostare valori e selezionare gradini.

Tasto MAN-AUT – Serve per selezionare la modalità operativa fra manuale ed automatico.

INDICAZIONI SUL DISPLAY



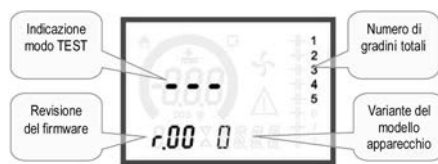
MODI OPERATIVI

Esistono tre possibili modi operativi, elencati di seguito:

Modo TEST

- Quando l'apparecchio è nuovo di fabbrica e non è mai stato programmato, entra automaticamente nel modo TEST che consente all'installatore di attivare manualmente le singole uscite a relè, in modo da poter verificare la correttezza del cablaggio del quadro.
- Il modo TEST è evidenziato dalla presenza di tre trattini --- sul display principale.
- L'attivazione e la disattivazione delle uscite avviene direttamente premendo i tasti ▲ e ▼, ma senza considerare il tempo di riconnessione.
- La modalità TEST viene abbandonata automaticamente dopo aver effettuato la programmazione dei parametri (vedere capitolo Impostazione dei parametri).

1377 GB | 02 21



Modi MAN e AUT

- Le icone AUT e MAN indicano la modalità di funzionamento automatica o manuale.
- Per cambiare modalità, premere il tasto MAN/AUT per 1 s consecutivo.
- La modalità di funzionamento rimane memorizzata anche in assenza della tensione di alimentazione.

Modo MAN

- Quando l'apparecchio è in modalità manuale, è possibile selezionare uno degli step ed inserirlo o disinserirlo manualmente.
- Oltre alla apposita icona, il display alfanumerico visualizza MAN per evidenziare la modalità manuale. Premendo MODE è possibile scorrere le altre misure come di consueto.
- Mentre il display alfanumerico è posizionato su MAN, è possibile attivare/disattivare manualmente gli step. Per selezionare uno step utilizzare i tasti ▲ e ▼. Lo step selezionato lampeggia velocemente.
- Premere MODE per inserire o disinserire lo step selezionato.
- Se lo step selezionato non ha ancora esaurito il tempo di riconnessione, l'icona MAN lampeggerà ad indicare che l'operazione è stata accettata e che verrà eseguita non appena possibile.
- La configurazione manuale degli step viene mantenuta anche in assenza della tensione di alimentazione. Quando l'apparecchio viene rialimentato, lo stato originario dei gradini viene ripristinato.



Modo AUT

- In modalità automatico l'apparecchio calcola la configurazione di gradini ottimale per raggiungere il $\cos\phi$ impostato.
- Il criterio di selezione tiene in considerazione molte variabili quali: la potenza dei singoli gradini, il numero di manovre, il tempo totale di utilizzo, il tempo di riconnessione, ecc.
- L'apparecchio evidenzia l'imminenza dell'inserzione o disinserzione dei gradini con il lampeggio del loro numero identificativo. Il lampeggio potrebbe protrarsi nei casi in cui l'inserimento di un gradino non è possibile a causa del tempo di riconnessione (tempo di scarica del condensatore).
- Affinchè l'apparecchio attui una correzione in automatico, deve essere presente una richiesta media di potenza reattiva (delta-kvar) maggiore del 50% dello step più piccolo, ed il cos ϕ misurato deve essere diverso dal quello impostato come setpoint.

MISURE

- La DCRL fornisce una serie di misure visualizzate sul display alfanumerico, in abbinamento al cosfi attuale che rimane sempre visualizzato sul display principale.
- Premendo il tasto MODE è possibile scorrere fra le misure a rotazione.
- Dopo 30 secondi senza premere tasti, la visualizzazione ritorna automaticamente alla misura di default definita con il parametro P.47.
- Se P.47 è impostato su ROT, allora le misure ruotano automaticamente ogni 5 secondi.
- In fondo alla lista delle misure è possibile impostare il setpoint del cosfi, agendo sullo stesso valore impostato con P.19.
- Di seguito viene riportata una tabella con le misure visualizzate.

MISURA	ICONA	DESCRIZIONE
Delta-kvar	Δ kvar	Kvar necessari a raggiungere il setpoint. Se delta-kvar positivo condensatori da inserire, se negativo da disindere.
	kvar	kvar totali dell'impianto
	Δ STEP	Numero di step equivalenti necessari a raggiungere setpoint
MODE		
Tensione	V	Tensione RMS di linea dell'impianto.
	V HI	Picco massimo della misura.
MODE		
Corrente	A	Corrente RMS di linea dell' impianto.
	A HI	Massima corrente registrata
MODE		
PF medio	WPF	Power factor medio settimanale.
	PF	Power factor istantaneo.
MODE		
Corr. Cond.	%C.CU	Corrente calcolata nei condensatori, in % della nominale.
	%C.HI	Picco massimo della misura.
MODE		
Temperatura	°C °F	Temperatura sensore interno.
	°CHI °FHI	Picco massimo della misura.
MODE		
THD tensione	THDV	Distorsione armonica % totale (THD) della tensione dell'impianto.
	VH02... ...VH15	Contenuto armonico % dal 2.0 al 15.mo ordine
MODE		
THD corrente	THDI	Distorsione armonica totale % (THD) della corrente dell'impianto.
	IH02... ...IH15	Contenuto armonico % di corrente dal 2.0 al 15.mo ordine
MODE		
Setpoint cosfi	IND CAP	Impostazione del cosfi desiderato (come P.19).
MODE		
Potenza step	%	ⓘ Potenza residua dello step in percentuale rispetto alla nominale impostata.
MODE		
Manovre step	OPC	ⓘ Contatore delle manovre (numero di commutazioni) degli step.
MODE		
Ore step	H	ⓘ Contatore di inserzione degli step.

ⓘ Queste misure sono visualizzate solo se la funzione Aggiustamento potenza step è abilitata (P.25=ON) e la password avanzata è abilitata ed inserita.

BLOCCO TASTIERA

- È possibile attivare una funzione che impedisce la modifica dei parametri di funzionamento, ma che consente di accedere alle misure.
- Per bloccare o sbloccare la tastiera, premere e tenere premuto MODE, premere tre volte ▲, due volte ▼ e quindi rilasciare MODE.
- Il display mostrerà LOC quando la tastiera è bloccata e UNL quando è sbloccata.
- Quando è attivo il blocco impostazioni non sono possibili le seguenti operazioni:
 - Passaggio da automatico a manuale
 - Accesso ai menu di impostazione
 - Modifica setpoint $\cos\varphi$
- Tentando di eseguire le suddette operazioni, il display visualizzerà LOC per indicare la condizione di blocco.

ESPANDIBILITÀ

- Grazie al suo bus di espansione, la DCRL può essere espansa con un modulo aggiuntivo della serie EXP...
- I moduli EXP... supportati dal DCRL si dividono nelle seguenti categorie:
 - step aggiuntivi
 - moduli di comunicazione
 - moduli di I/O digitale
- Per inserire un modulo di espansione:
 - togliere l'alimentazione alla DCRL.
 - rimuovere il coperchio protettivo dello slot di espansione.
 - inserire il gancio superiore del modulo nella apposita feritoia in alto nello slot.
 - ruotare il modulo verso il basso inserendo il connettore sul bus.
 - premere fino a che l'apposita clip sul lato inferiore del modulo si aggancia a scatto.



- Quando una DCRL viene alimentata, riconosce automaticamente il modulo EXP ad essa collegato.
- I moduli di espansione forniscono delle risorse aggiuntive che possono essere sfruttate tramite gli opportuni menu di impostazione.
- I menu di impostazione che riguardano le espansioni sono disponibili anche se i moduli non sono fisicamente presenti.
- La seguente tabella riassume i modelli di moduli di espansione supportati:

TIPO MODULO	CODICE	FUNZIONE
STEP AGGIUNTIVI	EXP 10 06	2 STEP RELE'
	EXP 10 07	3 STEP RELE'
I/O DIGITALI	EXP 10 03	2 RELE' IN SCAMBIO
COMUNICAZIONE	EXP 10 10	USB
	EXP 10 11	RS-232
	EXP 10 12	RS-485

PORTA DI PROGRAMMAZIONE IR

- La configurazione dei parametri della DCRL si può effettuare tramite la porta ottica frontale, attraverso la chiavetta di programmazione IR-USB codice CX01 oppure la chiavetta IR-WiFi codice CX02.
- Questa porta di programmazione ha i seguenti vantaggi:
 - Consente di effettuare la configurazione e la manutenzione della DCRL senza la necessità di accedere al retro dell'apparecchio e quindi di aprire il quadro elettrico.
 - E' galvanicamente isolata dalla circuiteria interna della DCRL, garantendo la massima sicurezza per l'operatore.
 - Consente una elevata velocità di trasferimento dei dati.
 - Consente una protezione frontale IP54.
 - Restringe la possibilità di accessi non autorizzati alla configurazione del dispositivo, in quanto richiede la presenza delle chiavette CX01 o CX02.
- Semplicemente avvicinando una chiavetta CX.. alla porta frontale ed inserendo le spine negli appositi fori, si otterrà il vicendevole riconoscimento dei dispositivi evidenziato dal colore verde del LED LINK sulla chiavetta di programmazione.

Adattatore di programmazione USB cod. CX01



Adattatore di programmazione WiFi cod. CX02



IMPOSTAZIONE PARAMETRI DA PC

- Mediante il software di setup DCRG Remote control è possibile effettuare il trasferimento dei parametri di setup (precedentemente impostati) da DCRL al disco del PC e viceversa.
- Il trasferimento dei parametri da PC a DCRL può essere parziale, cioè solo i parametri dei menu specificati.

IMPOSTAZIONE DEI PARAMETRI (SETUP) DAL PANNELLO FRONTALE

Per accedere al menu di programmazione (setup):

- Per accedere alla impostazione, la centralina si deve trovare in modalità TEST (prima impostazione) oppure in modalità MAN.
- Dalla normale visualizzazione misure, premere MODE per 3 secondi per richiamare il menu principale. Compare SET sul display principale.
- Se è stata impostata la password (P.21=ON), invece di SET compare PAS (richiesta immissione password). Impostare la password numerica con ▲ ▼ e poi premere MAN-AUT per spostarsi alla cifra successiva.
- Se la password è corretta verrà visualizzato OK U oppure OK A a seconda se la password è di livello utente o avanzato. Le password si definiscono con P.22 e P.23. Di default sono impostate a 001 e 002.
- Se si inserisce una password errata verrà visualizzato ERR.
- Dopo l'inserimento della password l'accesso è consentito fino a che l'apparecchio non viene resettato o fino a che non trascorrono 2 minuti senza pressioni sui tasti.
- Una volta inserita la password, ripetere la procedura di accesso alle impostazioni.
- Premere ▲ ▼ per selezionare il sottomenu desiderato (BAS → ADV → ALA...) che viene visualizzato sul display alfanumerico.



– Nella seguente tabella sono elencati i sottomenu disponibili:

COD	DESCRIZIONE
BAS	Accesso al menu Base
ADV	Accesso al menu Avanzato
ALA	Accesso al menu Allarmi
CMD	Accesso al menu Comandi
CUS	Accesso al menu Custom
SAVE	Uscita con salvataggio delle modifiche
EXIT	Uscita senza salvataggio (annulla)

- Premere MAN-AUT per accedere al sottomenu selezionato.
- Quando si è all'interno di un sottomenu, sul display principale viene visualizzato il codice del parametro selezionato (es. P.01), mentre sui display numerico ed alfanumerico in basso vengono visualizzati i valori del parametro e/o la descrizione.
- Premere MAN-AUT per avanzare nella selezione delle voci (ad esempio scorrere fra i parametri P.01 → P.02 → P.03...), oppure premere MODE per retrocedere.
- Mentre un parametro è selezionato, con ▲ ▼ se ne può impostare il valore.



- Una volta raggiunto l'ultimo parametro del menu, premendo ancora MAN-AUT si ritorna alla selezione dei sottomenu.
- Con ▲ ▼ selezionare SAVE per salvare le modifiche o EXIT per annullare.



- In alternativa, dall'interno della programmazione, tenendo premuto MAN-AUT per tre secondi, si salvano le modifiche e si esce direttamente.
- Se non vengono premuti tasti per 2 minuti consecutivi, il menu setup viene abbandonato automaticamente e il sistema torna alla visualizzazione normale senza salvare i parametri (come con EXIT).
- Rammentiamo che, per i soli dati di setup modificabili da tastiera, è possibile fare una copia di sicurezza (backup) nella memoria eeprom della DCRL. Questi stessi dati all'occorrenza possono essere ripristinati (restore) nella memoria di lavoro. I comandi di copia di sicurezza e ripristino dei dati sono disponibili nel Menu comandi.

IMPOSTAZIONE RAPIDA TA

- Nei casi in cui non è noto il TA che verrà utilizzato al momento dell'installazione, è possibile lasciare il parametro P.01 Primario TA impostato su OFF ed impostare tutti i rimanenti parametri.
- In questo caso, al momento dell'installazione dell'impianto, una volta alimentato l'apparecchio, il display visualizzerà CT (Current Transformer) lampeggiante. Premendo ▲ ▼ si imposterà, direttamente il valore del primario del TA.
- Ad impostazione avvenuta, premere MAN/AUT per confermare. L'apparecchio memorizza l'impostazione in P.01 e riparte direttamente in modalità automatica.



TABELLA DEI PARAMETRI

- Di seguito vengono riportati tutti i parametri di programmazione disponibili in forma tabellare. Per ogni parametro sono indicati il range di impostazione possibile ed il default di fabbrica, oltre ad una spiegazione della funzionalità del parametro. La descrizione del parametro visibile sul display può in qualche caso differire da quanto riportato in tabella a causa del ridotto numero di caratteri disponibile. Il codice del parametro vale comunque come riferimento.
- Nota: i parametri evidenziati nella tabella con uno sfondo ombreggiato sono essenziali al funzionamento dell'impianto, rappresentano quindi la programmazione minima indispensabile per la messa in funzione.

MENU BASE

COD	DESCRIZIONE	ACC	UdM	DEF	RANGE
P.01	Primario TA	Usr	A	OFF	OFF / 1...10.000
P.02	Secondario TA	Usr	A	5	1 / 5
P.03	Fase lettura correnti TA	Usr		L3	L1 L2 L3
P.04	Verso collegamento TA	Usr		Aut	Aut Dir Inv
P.05	Fase lettura tensioni	Usr		L1-L2	L1-L2 L2-L3 L3-L1 L1-N L2-N L3-N
P.06	Potenza step più piccolo	Usr	Kvar	1,00	0,10 ... 10000
P.07	Tensione nominale condensatori	Usr	V	400V	50 ... 50000
P.08	Frequenza nominale	Usr	Hz	Aut	Aut 50Hz 60Hz Var
P.09	Tempo di riconnessione	Adv	sec	60	1 ... 30000
P.10	Sensibilità	Usr	sec	60	1 ... 1000
P.11	Funzione step 1	Usr		OFF	OFF 1...32 ON NOA NCA FAN MAN AUT A01...A13
P.12	Funzione step 2	Usr		OFF	=
P.13	Funzione step 3	Usr		OFF	=
P.14	Funzione step 4	Usr		OFF	=
P.15	Funzione step 5	Usr		OFF	=
P.16	Funzione step 6	Usr		OFF	=
P.17	Funzione step 7	Usr		OFF	=
P.19	Setpoint cosfi	Usr		0,95 IND	0,50 Ind - 0,50 Cap
P.20	Lingua messaggi di allarme	Usr		ENG	ENG ITA FRA SPA POR DEU

- P.01** – Valore del primario dei trasformatori di corrente. Esempio: con TA 800/5 impostare 800. Se impostato su OFF, alla messa in tensione l'apparecchio richiederà di impostare il TA e permetterà l'accesso diretto a questo parametro.
- P.02** – Valore del secondario dei trasformatori di corrente. Esempio: con TA 800/5 impostare 5.
- P.03** – Definisce su quale fase l'apparecchio legge il segnale di corrente. Il collegamento degli ingressi amperometrici deve coincidere con quanto impostato in questo parametro. Sono supportate tutte le combinazioni con il parametro P.05.
- P.04** – Lettura della polarità di collegamento dei TA.
AUT = La polarità è riconosciuta automaticamente alla messa in tensione. Utilizzabile solo quando l'impianto non ha alcun dispositivo generatore.
Dir = Riconoscimento automatico disabilitato. Collegamento diretto.
Inv = Riconoscimento automatico disabilitato. Collegamento inverso (incrociato).
- P.05** – Definisce su quali fasi l'apparecchio legge il segnale di tensione. Il collegamento degli ingressi voltmetrici deve coincidere con quanto impostato in questo parametro. Sono supportate tutte le combinazioni con il parametro P.03.
- P.06** – Valore in kvar dello step più piccolo installato (equivalente al peso 1). Potenza di targa del banco di condensatori erogato alla tensione di targa specificata in P.07 e riferito al totale dei tre condensatori se in applicazione trifase.
- P.07** – Tensione nominale di targa dei condensatori, alla quale viene erogata la potenza specificata in P.06. Se i condensatori sono utilizzati ad una tensione diversa (inferiore) rispetto a quella nominale, la potenza risultante viene ricalcolata automaticamente dall'apparecchio.
- P.08** – Frequenza di lavoro dell'impianto:
Aut = selezione automatica fra 50 e 60 Hz alla messa in tensione
50 Hz = fissa a 50 Hz
60 Hz = fissa a 60 Hz
Var = variabile, misurata continuamente ed adattata.
- P.09** – Tempo minimo che deve trascorrere fra la disconnessione di uno step e la successiva riconnessione sia in MAN che in AUT. Durante questo tempo il numero dello step sulla pagina principale lampeggia. Tempo di riconnessione = sensibilità/delta kvar * potenza step base*.
- P.10** – Sensibilità alla connessione. Parametro che imposta la velocità di reazione della centralina. Con valori bassi di P.10 la regolazione è veloce (maggiore precisione intorno al setpoint ma maggior numero di manovre). Con valori alti invece si hanno reazioni più lente della regolazione, con minor numero di manovre degli step. Il tempo di ritardo alla reazione è inversamente proporzionale alla richiesta di step per raggiungere il setpoint: tempo attesa = (sensibilità / numero di step richiesti).
 Esempio: impostando la sensibilità a 60s, se viene richiesta l'inserzione di uno step di peso 1 vengono attesi 60s (60/1 = 60) . Se invece servono un totale di 4 step verranno attesi 15s (60 / 4 = 15).

P.11 ... P.18 – Funzione dei relè di uscita 1...8:

OFF = Non utilizzato

1..32 = Peso dello step. A questo relè è collegato un banco di condensatori di potenza n volte (n=1...32) quella del più piccolo, definita con P.06.

ON = Sempre attivato.

NOA = Allarme normalmente diseccitato. Il relè si eccita in presenza di un qualsiasi allarme con la proprietà Allarme globale attiva.

NCA = Allarme normalmente eccitato. Il relè si diseccita in presenza di un qualsiasi allarme con la proprietà Allarme globale attiva.

FAN = Relè controlla la ventola di raffreddamento.

MAN = Relè eccitato quando centralina è in MAN.

AUT = Relè eccitato quando centralina è in AUT.

A01...A13 = Il relè si eccita in presenza dell'allarme specificato.

P.19 – Setpoint (valore da raggiungere) del cosφ. Utilizzato in applicazioni standard.

P.20 – Lingua dei messaggi di allarme scorrevoli.

MENU AVANZATO

COD	DESCRIZIONE	ACC	UdM	DEF	RANGE
P.21	Abilitazione password	Adv		OFF	OFF ON
P.22	Password utente	Usr		001	0-999
P.23	Password avanzata	Adv		002	0-999
P.24	Tipo di collegamento	Usr		3PH	3PH Trifase 1PH Monofase
P.25	Aggiustamento potenza step	Usr		OFF	ON Abilitato OFF Disabilitato
P.26	Tolleranza + su setpoint	Usr		0,00	0 – 0,10
P.27	Tolleranza - su setpoint	Usr		0,00	0 – 0,10
P.28	Modo inserzione step	Usr		STD	STD Standard Lin Lineare
P.29	Setpoint cosφ cogenerazione	Usr		OFF	OFF / 0.50 IND – 0.50 CAP
P.30	Sensibilità alla disconnessione	Usr	sec	OFF	OFF / 1 – 600
P.31	Disconnessione steps passando in MAN	Usr	OFF	OFF ON	Disabilitato Abilitato
P.32	Soglia allarme sovraccarico corrente condensatori	Adv	%	125	OFF / 100...150
P.33	Soglia sovraccarico per disconnessione immediata step	Adv	%	150	OFF / 100.. 200
P.34	Primario TV	Usr	V	OFF	OFF / 50-50000
P.35	Secondario TV	Usr	V	100	50-500
P.36	Unità di misura temperatura	Usr		°C	°C °Celsius °F °Fahrenheit
P.37	Temperatura di start ventilatore	Adv	°	55	0...212
P.38	Temperatura di stop ventilatore	Adv	°	50	0...212
P.39	Soglia di allarme temperatura	Adv	°	60	0...212
P.40	Soglia allarme step difettoso	Adv	%	OFF	OFF / 25...100
P.41	Soglia allarme tensione massima	Adv	%	120	OFF / 90...150
P.42	Soglia allarme tensione minima	Adv	%	OFF	OFF / 60..110
P.43	Soglia allarme THD V	Adv	%	OFF	OFF / 1..250
P.44	Soglia allarme THD I	Adv	%	OFF	OFF / 1..250
P.45	Intervallo manutenzione ore	Adv	h	9000	OFF / 1 - 30000
P.46	Funzione barra grafica	Usr		Kvar ins/tot	Kvar ins/tot Corr att/nom Delta kvar att/tot
P.47	Misura ausiliaria di default	Usr		Delta kvar	Deltakvar V A TPF settimanale % Corr Cond. Temp THDV THDI ROT
P.48	Lampeggio back light su allarme	Usr		OFF	OFF ON
P.49	Indirizzo seriale nodo	Usr		01	01-255
P.50	Velocità seriale	Usr	bps	9,6k	1,2k 2,4k 4,8k 9,6k 19,2k 38,4k
P.51	Formato dati	Usr		8 bit – n	8 bit, no parità 8 bit, dispari 8 bit, pari 7 bit, dispari 7 bit, pari
P.52	Bit di stop	Usr		1	1-2
P.53	Protocollo	Usr		Modbus RTU	Modbus RTU Modbus ASCII
P.54	Intervallo manutenzione inserzioni	Adv	kcnt	OFF	OFF / 1-60

- P.21** – Se impostato ad OFF, la gestione delle password è disabilitata e l'accesso alle impostazioni e al menu comandi è libero.
- P.22** – Con P.21 attivo, valore da specificare per attivare l'accesso a livello utente. Vedere capitolo Accesso tramite password.
- P.23** – Come P.22, riferito all'accesso livello Avanzato.
- P.24** – Numero di fasi dell'impianto di rifasamento.
- P.25** – Abilita la misurazione della potenza effettiva degli step, effettuata in occasione della loro inserzione. La misura viene dedotta, essendo la corrente prelevata sulla totale dell'impianto. La potenza misurata degli step viene "aggiustata" dopo ogni manovra ed è visualizzata sulla pagina 'statistiche vita step'.
Quando questa funzione è abilitata, viene inserita una pausa di 15sec fra l'inserzione di uno step ed il successivo, necessaria a misurare la variazione di potenza.
- P.26 – P.27** – Tolleranza intorno al setpoint. Quando il cosfi si trova all'interno della fascia delimitata da questi parametri, in AUT non vengono fatte inserzioni/disinserzioni di step anche se il delta-kvar è maggiore dello step più piccolo.
Nota: + significa "verso induttivo", - significa "verso capacitivo".
- P.28** – Selezione modalità inserzione step.
Standard – Funzionamento normale con selezione libera degli step
Lineare – I gradini vengono inseriti solo in progressione da sinistra verso destra seguendo il numero di step, per poi essere disconnessi in modo inverso, secondo una logica LIFO (Last In, First Out).
In caso di gradini di potenza diversa, se l'inserzione di un ulteriore gradino comporta il superamento del setpoint, il regolatore non lo inserisce.
- P.29** – Setpoint utilizzato quando l'impianto sta generando potenza attiva verso il fornitore (con potenza attiva/ costi di segno negativo).
- P.30** – Sensibilità alla disconnessione. Come parametro precedente ma riferita alla disconnessione. Se impostata ad OFF la disconnessione ha gli stessi tempi di reazione della connessione regolata con il parametro precedente.
- P.31** – Se impostato ad ON, quando si passa da modalità AUT a modalità MAN gli step vengono disconnessi in sequenza.
- P.32** – Soglia oltre la quale interviene la protezione di sovraccarico condensatori (allarme A08), dopo un tempo di ritardo integrale, inversamente proporzionale all'entità del sovraccarico.
Nota: E' possibile utilizzare questa protezione solo se i condensatori non hanno dispositivi di filtro quali induttanze o altro.
- P.33** – Soglia oltre la quale il ritardo integrale di intervento del sovraccarico viene azzerato, provocando l'intervento immediato dell'allarme.
- P.34 – P.35** – Dati dei TV eventualmente utilizzati negli schemi di collegamento.
- P.36** – Unità di misura temperatura.
- P.37 – P.38** – Temperature di start e stop ventola di raffreddamento del quadro, espresse nell'unità di misura impostata con P.36. La ventola viene avviata quando la temperatura è \geq a P.37, e viene arrestata quando è $<$ di P.38.
- P.39** – Soglia di allarme per la generazione dell'allarme A08 temperatura troppo alta.
- P.40** – Soglia percentuale della potenza residua degli step, confrontata con quella originale programmata. Sotto questa soglia viene generato l'allarme A13 step difettoso.
- P.41** – Soglia di allarme di massima tensione, riferita alla tensione nominale impostata con P.07, oltre la quale viene generato l'allarme A06 Tensione troppo alta.
- P.42** – Soglia di allarme di minima tensione, riferita alla tensione nominale impostata con P.07, oltre la quale viene generato l'allarme A05 Tensione troppo bassa.
- P.43** – Soglia di allarme di massimo THD di tensione impianto, oltre la quale viene generato l'allarme A10 THDV troppo alto.
- P.44** – Soglia di allarme di massimo THD di corrente impianto, oltre la quale viene generato l'allarme A11 THDI troppo alto.
- P.45** – Intervallo di manutenzione in ore esaurito il quale viene generato l'allarme A12 Richiesta manutenzione. Il conteggio è attivo per tutto il tempo in cui l'apparecchio rimane alimentato.
- P.46** – Funzione della barra grafica semicircolare.
Kvar ins/tot: la barra rappresenta quanta potenza rifasante è attualmente inserita in rapporto alla totale installata nel quadro.
Corr att/nom: Percentuale di corrente attuale rispetto alla nominale del TA.
Delta kvar: Barra con zero centrale. Rappresenta il delta-kvar positivo/negativo necessario a raggiungere il setpoint riferito alla potenza totale installata.
- P.47** – Misura di default visualizzata sul display secondario. Impostando ROT le misure vengono visualizzate a rotazione.
- P.48** – Se impostato ad ON, la retroilluminazione del display lampeggia in presenza di un allarme.
- P.49** – Indirizzo seriale (nodo) del protocollo di comunicazione.
- P.50** – Velocità di trasmissione della porta di comunicazione.
- P.51** – Formato dati. Impostazioni a 7 bit possibili solo per protocollo ASCII.
- P.52** – Numero bit di stop.
- P.53** – Scelta del protocollo di comunicazione.
- P.54** – Definisce il numero di manovre degli step (considerando lo step che ha il conteggio più alto) oltre il quale viene generato l'allarme di manutenzione A12. Questo parametro va usato in alternativa a P.45.
Se sia P.45 che P.54 sono impostati ad un valore diverso da OFF, ha priorità P.45.
Passando dall'utilizzo della soglia definita al parametro P.45 a quella del parametro P.54 e viceversa, è necessario azzerare l'intervallo di manutenzione, tramite il comando C01 e il contatore del numero di manovre, tramite il comando C02.

MENU ALLARMI

COD	DESCRIZIONE	ACC	UdM	DEF	RANGE
P.61	Abilitazione allarme A01	Adv		ALA	OFF ON ALA DISC A+D
P.62	Ritardo allarme A01	Adv		15	0-240
P.63	Udm ritardo A01	Adv		Min	Min Sec
...
P.97	Abilitazione allarme A13	Adv		ALA	OFF ON ALA DISC A+D
P.98	Ritardo allarme A13	Adv		15	0-240
P.99	Udm ritardo A13	Adv		Min	Min Sec

P.61 – Abilita l'allarme A01 e definisce il comportamento della centralina quando l'allarme è attivo:

OFF – Allarme disabilitato

ON – Allarme abilitato, solo visivo

ALA – Allarme abilitato, attivazione relè di allarme globale (se impostato)

DISC – Allarme abilitato, disconnessione degli step

A + D = Eccitazione relè di allarme e disconnessione degli step.

Nota: quando si accede ai parametri P.61, P.64, P.67 ecc, il display ausiliario indica il codice dell'allarme relativo.

P.62 – Tempo di ritardo allarme A01.

P.63 – Unità di misura ritardo allarme A01.

P.64 – Come P.61, per allarme A02.

P.65 – Come P.62, per allarme A02.

P.66 – Come P.63, per allarme A02.

...

P.97 – Come P.61, per allarme A13.

P.98 – Come P.62, per allarme A13.

P.99 – Come P.63, per allarme A13.

ALLARMI

- Al sorgere di un allarme, il display mostra una icona di allarme, un codice identificativo e la descrizione dell'allarme nella lingua selezionata.
- Se vengono premuti dei tasti di navigazione delle pagine, la scritta scorrevole con le indicazioni di allarme scompare momentaneamente per poi ricomparire dopo 30 secondi.
- Il reset degli allarmi è automatico quando scompaiono le condizioni che li hanno generati.
- In seguito al verificarsi di uno o più allarmi, la DCRL ha un comportamento dipendente dalla impostazione delle proprietà degli allarmi attivi.

DESCRIZIONE ALLARMI

COD	ALLARME	DESCRIZIONE
A01	Sottocompensazione	In modo automatico, tutti gli step disponibili sono inseriti, ma il cosfi rimane più induttivo del setpoint.
A02	Sovraccorrezione	In modo automatico, tutti gli step sono disinseriti, ed il cosfi misurato è più capacitivo del setpoint.
A03	Corrente impianto troppo bassa	La corrente circolante sugli ingressi amperometrici è inferiore alla minima consentita dal range di misura. Condizione che si può verificare normalmente se l'impianto non ha carico.
A04	Corrente impianto troppo alta	La corrente circolante sugli ingressi amperometrici è superiore alla massima consentita dal range di misura.
A05	Tensione impianto troppo bassa	La tensione misurata è inferiore alla soglia impostata con P.42.
A06	Tensione impianto troppo alta	La tensione misurata è superiore alla soglia impostata con P.41.
A07	Sovraccarico corrente condensatori	Il sovraccarico dei condensatori calcolato è superiore alle soglie impostate con P.32 e P.33. Quando le condizioni sono cessate, la visualizzazione dell'allarme permane per i successivi 5min oppure fino a che si preme un tasto.
A08	Temperatura troppo alta	La temperatura del quadro è superiore alla soglia impostata con P.39.
A09	Microinterruzione	Si è verificata una microinterruzione sugli ingressi voltmetrici di durata superiore a 8ms.
A10	THD tensione troppo alto	Il THD della tensione dell'impianto è superiore alla soglia impostata con P.43
A11	THD corrente impianto troppo alto	Il THD della corrente dell'impianto è superiore alla soglia impostata con P.44
A12	Richiesta manutenzione	L'intervallo di manutenzione impostato con P.45 è scaduto. Per azzerare l'allarme utilizzare il comando C.01 (vedere menu comandi).
A13	Step difettoso	La potenza residua percentuale di uno o più step è inferiore alla soglia minima impostata con P.40.

PROPRIETÀ DI DEFAULT ALLARMI

COD	DESCRIZIONE	ABILITAZIONE	RELÈ ALLARME	DISCONNESS.	RITARDO INTERV.
A01	Sottocompensazione	●	●		15min
A02	Sovraccorrezione	●			120s
A03	Corrente impianto troppo bassa	●		●	5s
A04	Corrente impianto troppo alta	●			120s
A05	Tensione impianto troppo bassa	●	●		5s
A06	Tensione impianto troppo alta	●	●		15min
A07	Sovraccarico corrente condensatori	●	●	●	180s
A08	Temperatura troppo alta	●	●	●	30s
A09	Microinterruzione	●		●	0s
A10	THD tensione troppo alto	●	●	●	120s
A11	THD corrente impianto troppo alto	●	●	●	120s
A12	Richiesta manutenzione	●			0s
A13	Step difettoso	●	●		0s

MENU COMANDI

- Il menu comandi permette di eseguire operazioni saltuarie quali azzeramenti di misure, contatori, allarmi, ecc.
- Se è stata immessa la password per accesso avanzato, allora tramite il menu comandi è anche possibile effettuare delle operazioni automatiche utili ai fini della configurazione dello strumento.
- Con centralina in modalità MAN, premere MODE per 5s.
- Premere ▲ fino a selezionare CMD.
- Premere MAN-AUT per accedere al Menu comandi.
- Selezionare comando desiderato con MODE o MAN-AUT.
- Premere e tenere premuto ▲ per tre secondi se si vuole eseguire comando. DCRL mostra OK? con countdown.
- Se si tiene premuto ▲ fino alla fine del countdown il comando viene eseguito, mentre se si rilascia prima il tasto il comando viene annullato.

COD	COMANDO	LIVELLO ACCESSO	DESCRIZIONE
C01	Azz. manutenzione	Avanzato	Azzerare intervallo di manutenzione.
C02	AZZ. MANOIVRE STEP	Avanzato	Azzerare i contatori di manovre step.
C03	AZZ. STEP TRIMMING	Avanzato	Ripristina le potenze originali nell'aggiustamento step.
C04	AZZ. ORE STEP	Avanzato	Azzerare i contatori di funzionamento step.
C05	AZZ. VALORI MASSIMI	Avanzato	Azzerare i picchi massimi registrati delle misure.
C06	AZZ. TPF SETTIMANALE	Avanzato	Azzerare memoria TPF settimanale.
C07	SETUP a DEFAULT	Avanzato	Ripristina i parametri ai default di fabbrica.
C08	SALVA COPIA SETUP	Avanzato	Salva una copia di backup delle impostazioni di setup dell'utente.
C09	RIPRIS. COPIA SETUP	Avanzato	Ripristina i parametri al valore della copia utente.

UTILIZZO DONGLE CX02

- La chiavetta (dongle) CX02 oltre a fornire la funzionalità di collegamento WiFi con PC, Tablet o Smartphone ha anche la possibilità di poter memorizzare e trasferire un blocco di dati da e per la DCRL.
- Inserire l'interfaccia CX02 nell'apposita sede sul fronte della DCRL.
- Accendere CX02 premendo il pulsante per 2 sec.
- Attendere che il led LINK diventi di colore arancio lampeggiante.
- Premere per 3 volte consecutivamente e velocemente il tasto della CX02.
- A questo punto il display della DCRL visualizza il primo dei possibili comandi (D1...D6).
- Premere i tasti ▲ ▼ per selezionare il comando voluto.
- Premere MAN-AUT per eseguire il comando selezionato. Verrà richiesta una conferma (OK?). Premere di nuovo AUT-MAN per confermare, o MODE per annullare.
- Di seguito la lista dei comandi disponibili:

COD	COMANDO	DESCRIZIONE
D1	SETUP DEVICE → CX02	Copia le impostazioni del setup dalla DCRL alla CX02
D2	SETUP CX02 → DEVICE	Copia le impostazioni del setup dalla CX02 alla DCRL
D3	CLONE DEVICE → CX02	Copia setup e dati di lavoro dalla DCRL alla CX02
D4	CLONE CX02 → DEVICE	Copia setup e dati di lavoro dalla CX02 alla DCRL
D5	INFO DATA CX02	Visualizza informazioni circa i dati contenuti nella CX02
D6	EXIT	Esce dal menu dongle.

- Per maggiori dettagli vedere il manuale operativo del dongle CX02.

INSTALLAZIONE

- DCRL è destinata al montaggio da incasso. Con il corretto montaggio garantisce una protezione frontale IP54.
- Dall'interno del quadro, per ciascuna delle quattro clips di fissaggio, posizionare la clip in una delle due guide laterali, premendo successivamente sullo spigolo della clip in modo da agganciare a scatto anche la seconda guida.
- Spingere la clip in avanti facendo pressione sulle sue pareti laterali e facendole scorrere sulle guide fino che le apposite alette deformabili premono al massimo possibile contro la superficie interna del pannello.



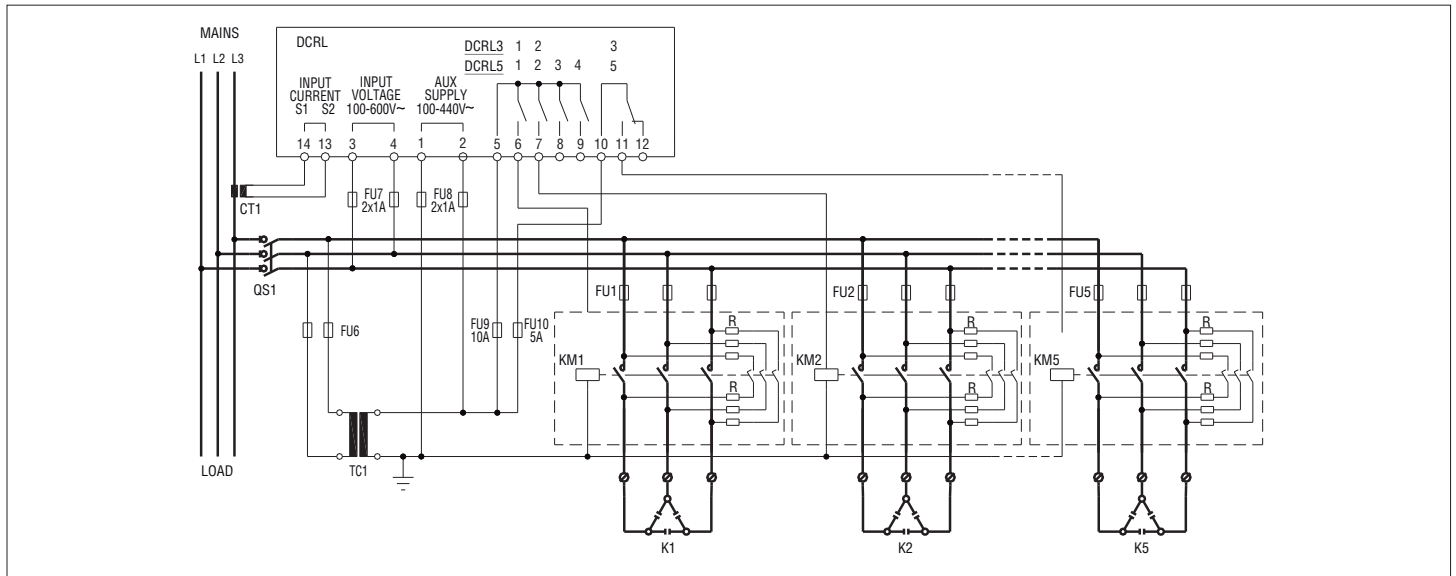
- Per i collegamenti elettrici fare riferimento agli schemi di connessione riportati nell'apposito capitolo e alle prescrizioni riportate nelle caratteristiche tecniche.

SCHEMI DI COLLEGAMENTO



ATTENZIONE!!
Togliere sempre tensione quando si opera sui morsetti.

Inserzione trifase standard



INSERZIONE TRIFASE STANDARD (default)

Configurazione di default per applicazioni standard

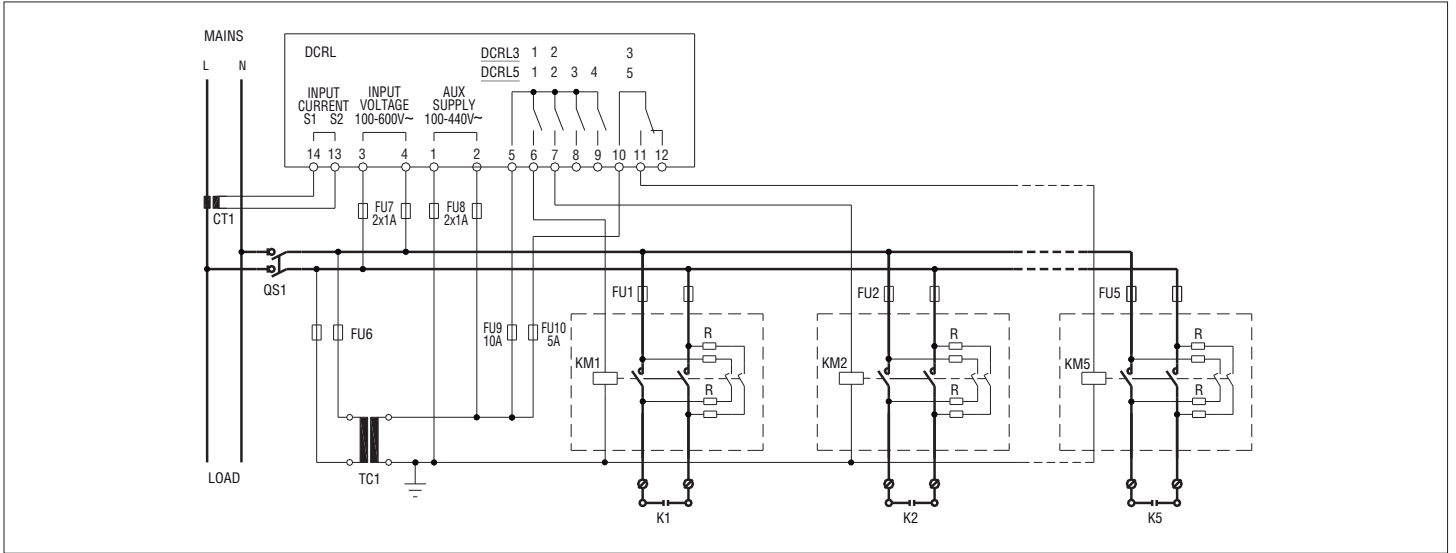
Misura tensione	1 misura di tensione concatenata L1-L2
Misura corrente	Fase L3
Angolo di sfasamento	Fra V (L1-L2) e I (L3) $\approx 90^\circ$
Misura sovraccarico condensatori	1 misura calcolata su L1-L2
Impostazione parametri	P.03 = L3 P.05 = L1-L2 P.24 = 3PH

NOTE

- Per inserzione trifase, l'ingresso voltmetrico deve essere connesso tra due fasi; il T.A. di linea deve essere inserito sulla rimanente fase.
- La polarità dell'ingresso amperometrico è influente.

Inserzione monofase

1377 GB | 02 21



INSERZIONE MONOFASE

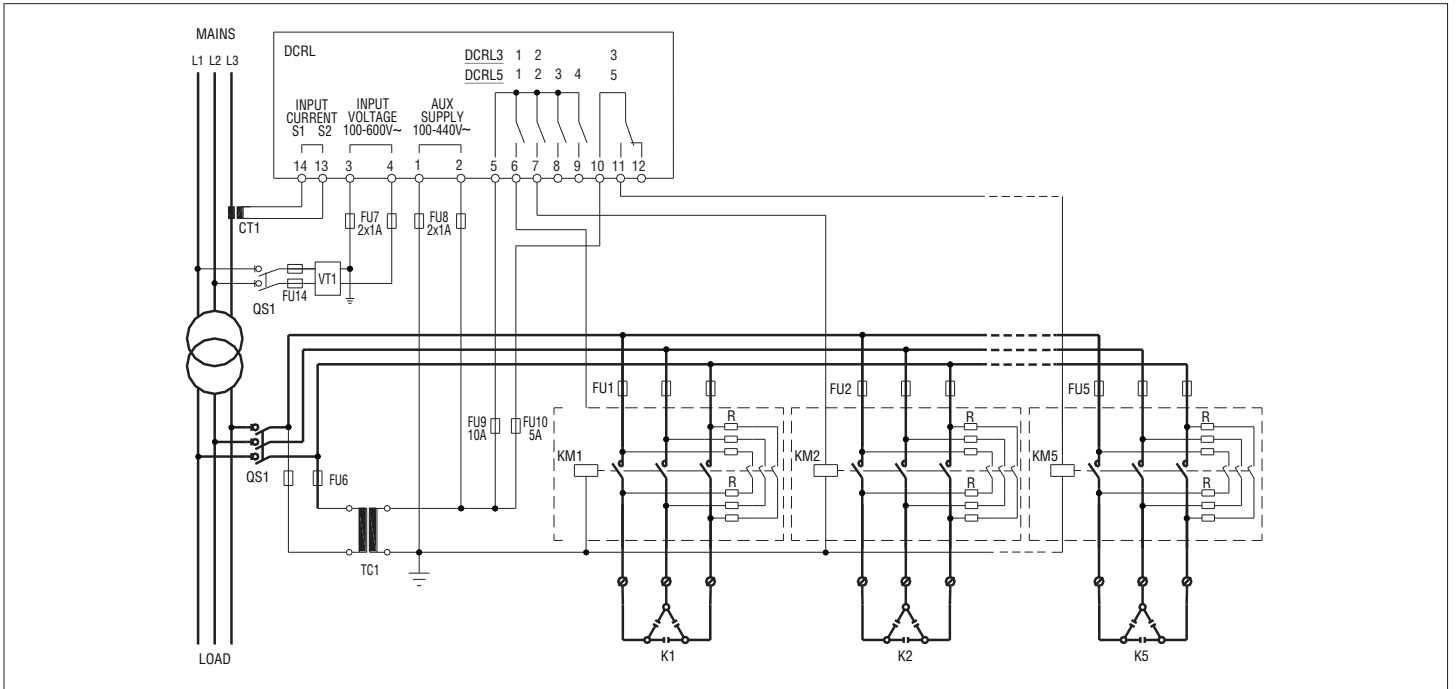
Configurazione per applicazioni con rifasamento monofase

- Misura tensione 1 misura di tensione di fase L1-N
- Misura corrente Fase L1
- Angolo di sfasamento Fra $V(L1-N)$ e $I(L1) \Rightarrow 0^\circ$
- Sovraccarico condensatori 1 misura calcolata su L1-N
- Impostazione parametri P.03 = L1
P.05 = L1-N
P.24 = 1PH

NOTE

IMPORTANTE! La polarità dell'ingresso amperometrico è ininfluente.

Inserzione su MT

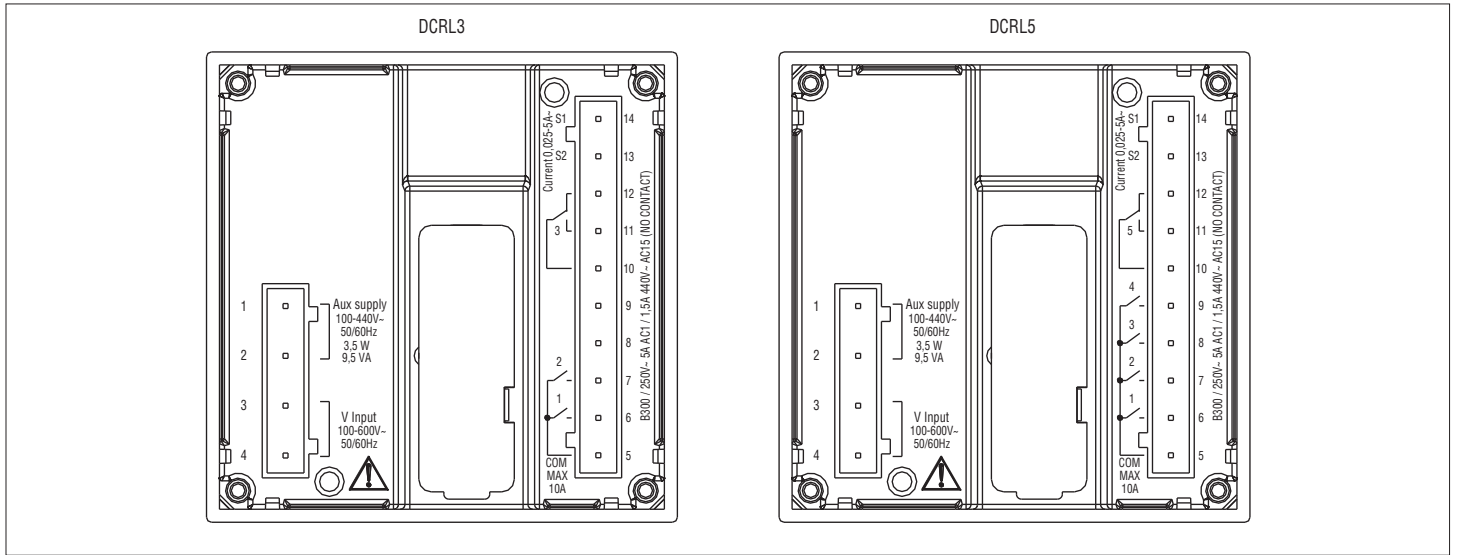


Inserzione con misure e rifasamento su MT

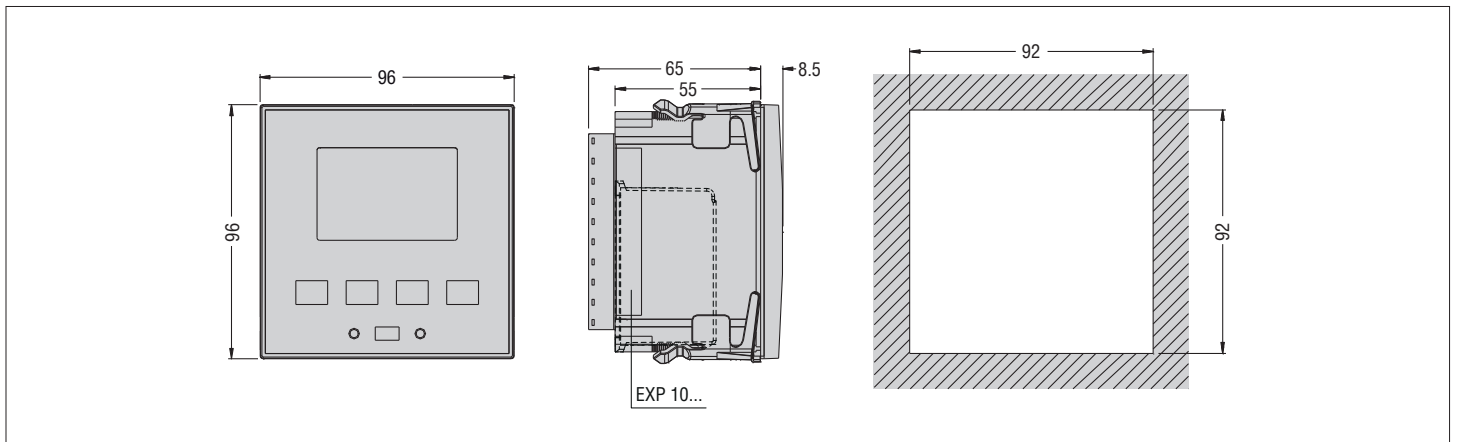
- Misura tensione 3 misure di tensione concatenata
Fasi L1-L2 su media tensione
Fase L3 su media tensione
- Misura corrente Fase L3 su media tensione
- Angolo di sfasamento 90°
- Sovraccarico condensatori disabilitato
- Impostazione parametri P.03 = L3
P.05 = L1-L2
P.24 = 3PH
P.34 = Primario TV
P.35 = Secondario TV

DISPOSIZIONE MORSETTI

1377 GB | 02 21



DIMENSIONI MECCANICHE E FORATURA PANNELLO [mm]





CARATTERISTICHE TECNICHE

Alimentazione

Tensione nominale Us ¹	100 - 440V~
Limiti di funzionamento	90 - 484V~
Frequenza	45 - 66Hz
Potenza assorbita/dissipata	3,5W - 9,5VA
Rilascio relè alla microrottura	>= 8ms
Tempo di immunità alla microinterruzione	<= 25ms
Fusibili raccomandati	F1A (rapidi)

Ingresso voltmetrico

Tensione nominale Ue max	600VAC L-L (346VAC L-N)
Campo di misura	50...720V L-L (415VAC L-N)
Campo di frequenza	45...66Hz
Tipo di misura	Vero valore efficace (TRMS)
Impedenza dell'ingresso di misura	> 0,55MΩ L-N > 1,10MΩ L-L
Modalità di collegamento	Linea monofase, bifase, trifase con o senza neutro e trifase bilanciato
Accuratezza misura	±1% ±0,5 digit
Fusibili raccomandati	F1A (rapidi)

Ingressi amperometrici

Corrente nominale Ie	1A~ o 5A~
Campo di misura	Per scala 5A: 0,025 - 6A~ Per scala 1A: 0,025 - 1,2A~
Tipo di ingresso	Shunt alimentati mediante trasformatore di corrente esterno (bassa tensione) 5A max.
Tipo di misura	Vero valore efficace (RMS)
Limite termico permanente	+20% Ie
Limite termico di breve durata	50A per 1 secondo
Accuratezza misura	± 1% (0,1...1,2In) ±0,5 digit
Autoconsumo	<0,6VA

Uscite a relè: DCRL3 OUT 1 - 2 / DCRL5 OUT 1 - 4

Tipo di contatto	DCRL3	2 x 1 NO + comune contatti
	DCRL5	4 x 1 NO + comune contatti
Dati d'impiego UL	B300 30V= 1A Servizio ausiliario	
Massima tensione d'impiego	440V~	
Portata nominale	AC1-5A 250V~ AC15-1,5A 440V~	
Corrente massima al terminale comune dei contatti	10A	
Durata meccanica / elettrica	1x10 ⁷ / 1x10 ⁵ operazioni	

Uscite a relè: DCRL3 OUT 3 / DCRL5 OUT 5

Tipo di contatto	1 contatto scambio
Dati d'impiego UL	B300 / 30V= 1A servizio ausiliario
Massima tensione d'impiego	440V~
Portata nominale	AC1-5A 250V~ AC15-1,5A 440V~ (solo NO)
Durata meccanica / elettrica	1x10 ⁷ / 1x10 ⁵ operazioni

Isolamento

Tensione nominale d'isolamento Ui	600V~
Tensione nomi. di tenuta a impulso Uimp	9,5kV
Tensione di tenuta a frequenza d'esercizio	5,2kV

Condizioni ambientali

Temperatura d'impiego	-20 - +60°C
Temperatura di stoccaggio	-30 - +80°C
Umidità relativa	<80% (IEC/EN/BS 60068-2-78)
Grado di inquinamento ambiente massimo	2
Categoria di sovratensione	3
Categoria di misura	III
Sequenza climatica	Z/ABDM (IEC/EN/BS 60068-2-61)
Resistenza agli urti	15g (IEC/EN/BS 60068-2-27)
Resistenza alle vibrazioni	0,7g (IEC/EN/BS 60068-2-6)

Connessioni

Tipo di morsetti	Estraibili
Sezione conduttori (min e max)	0,2...2,5 mm ² (24...12 AWG)
Dati d'impiego UL	
Sezione conduttori (min e max)	0,75...2,5 mm ² (18...12 AWG)
Coppia di serraggio	0,56 Nm (5 lbin / 4-5 lbin per UL)

Contenitore

Esecuzione	Da incasso
Materiale	Policarbonato
Grado di protezione	IP54 sul fronte con guarnizione se installato in un quadro di pari protezione IP - IP20 sui morsetti
Peso	340g

Omologazioni e conformità

Omologazioni ottenute	cULus/EAC
UL Marking	Use 60°C/75°C copper (CU) conductor only AWG Range: 18 - 12 AWG stranded or solid Field Wiring Terminals Tightening Torque: 4.5lb.in Flat panel mounting on a Type 1 enclosure
Conformi alle norme	IEC/EN/BS 61010-1, IEC/EN/BS 61010-2-30 IEC/EN/BS 61000-6-2, IEC/EN/BS 61000-6-4, UL508, CSA C22.2 n°14

¹ Alimentazione ausiliaria prelevata da un sistema con tensione fase-neutro ≤300V