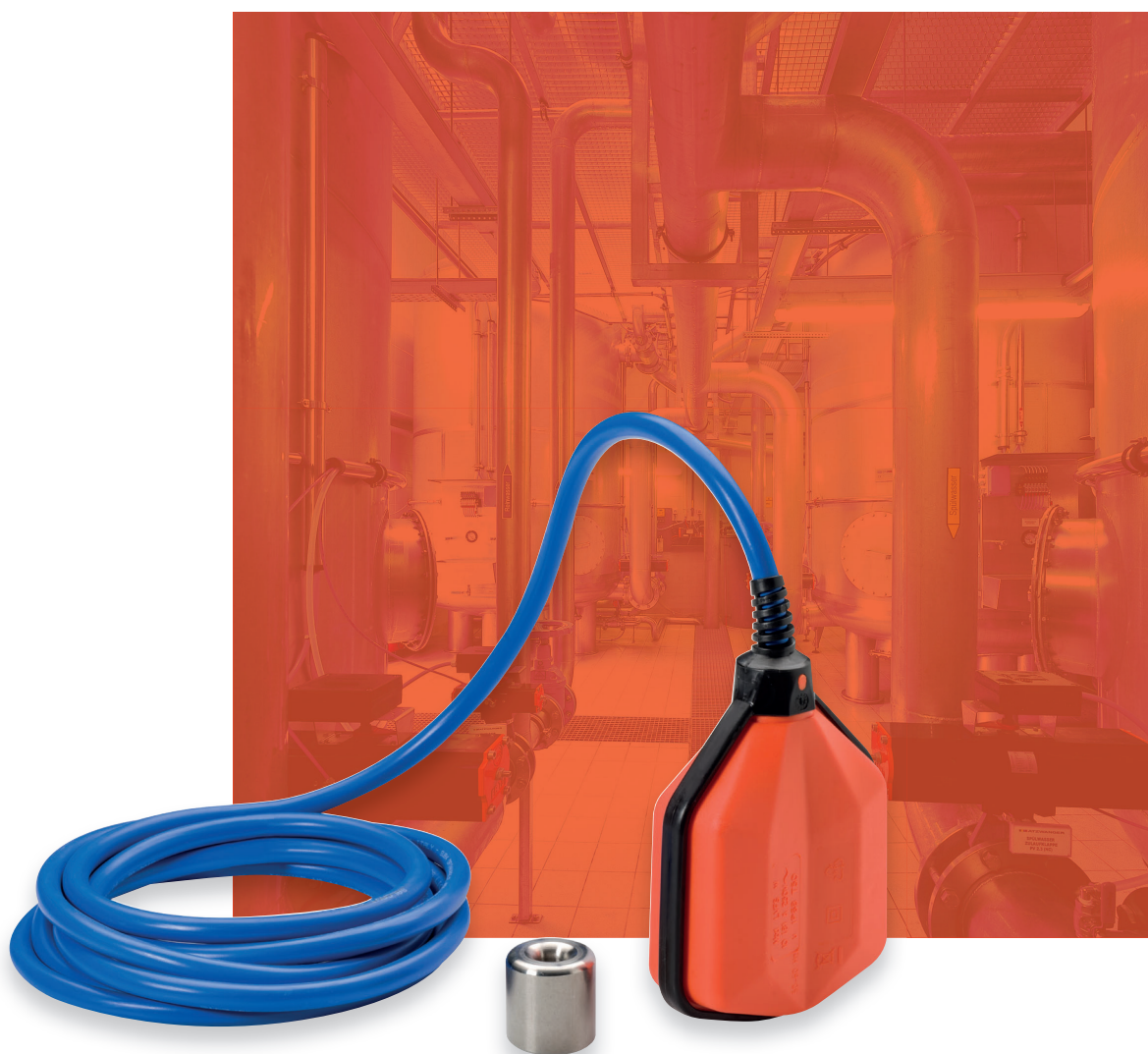


FLOAT SWITCHES FOR DRINKING WATER



 **Lovato**
electric

ENERGY AND AUTOMATION

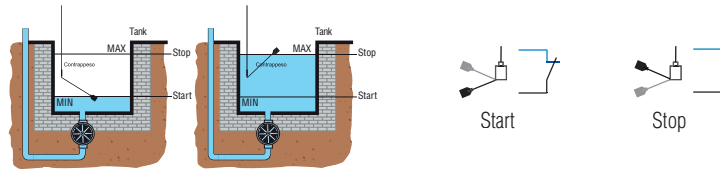


LVFS A1 D...

Order code	Cable material	Cable length	Counter-weight included	Qty per pack	Wt
		[m]		n°	[kg]
LVFS A1 D 03	PVC ACS+AD8 certificated	3	Yes	1	0.630
LVFS A1 D 05	PVC ACS+AD8 certificated	5	Yes	1	0.850
LVFS A1 D 10	PVC ACS+AD8 certificated	10	Yes	1	1.430
LVFS A1 D 15	PVC ACS+AD8 certificated	15	Yes	1	1.950
LVFS A1 D 20	PVC ACS+AD8 certificated	20	Yes	1	2.400

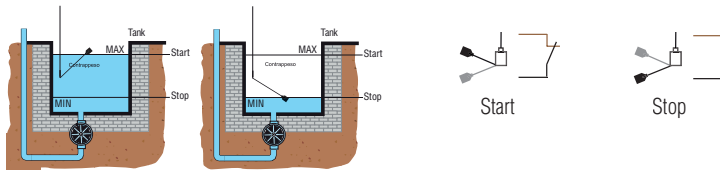
Filling function

This function is achieved by connecting the black and blue float terminals. The level regulator contact closes the lower circuit at minimum level and opens the circuit when the float reaches the upper maximum level. The MIN and MAX levels can be adjusted by varying the distance between counterweight and float.

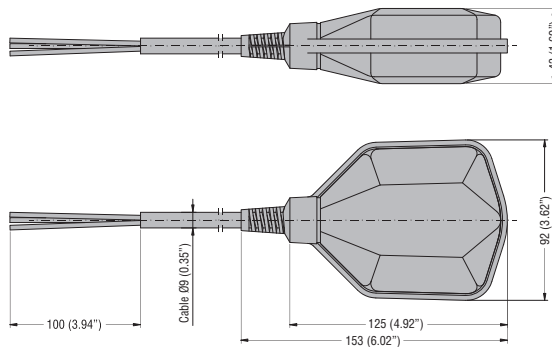


Emptying function

This function is achieved by connecting the black and brown float terminals. The level regulator contact closes the upper circuit at maximum level and opens the circuit when the float reaches the lower minimum level. The MIN and MAX levels can be adjusted by varying the distance between counterweight and float.



DIMENSIONS [mm(in)]



General characteristics

Float switches LVFS A1 D type are suitable for drinking water and foodstuffs applications such as aqueducts, fountains, aquariums, drinks, fish hatcheries, swimming pools, etc.

They are realized with a non-toxic polypropylene outer shell, a stainless steel untreated sphere, and an AD8 cable with health certification ACS (Attestation de Conformité Sanitaire) with outer sheath with PVC suitable for drinkable water immersion and use with food products.

They are provided with stainless steel counterweight AISI 316.

All versions, which differ in the length of the cable, feature an internal changeover contact operated in accordance with the level of liquid where the float is located.

The cables are 3x1 type, that is 3 wires with section 1mm². This allows the user to choose the filling and emptying function during regulator wiring.

Operational characteristics

- Upper switching angle: 30°±5°
- Lower switching angle: 30°±5°
- Stainless steel counterweight AISI 316 included
- Float casing material: polypropylene
- PVC cable ACS + AD8 certified
- Microswitch with changeover contact:
 - 10A 250VAC (AC1) 50-60Hz
 - 8A 250VAC (AC15) 50-60Hz
- Maximum installation depth: 20m
- Maximum pressure: 2bar
- Operating temperature: 0...+50°C
- Storage temperature: -20...+80°C
- Degree of protection: IP68
- Insulation Class: II.

Certifications and compliance

Certifications: Health certification ACS (Attestation de Conformité Sanitaire) for the cable.

Compliant with standards: IEC/EN 60730-1, IEC/EN 60730-2-15.