

- Supervision of two or three power sources
- Emergency demand supervision for standby generating set
- Tie-breaker management
- Control of contactors, motorised circuit breakers and motorised changeover switches
- Closed transition
- Automatic non-priority load management
- Event logging
- Remote control and supervision
- Front optical port
- Built-in NFC technology
- Expandable with EXP modules
- Communication protocols Modbus-ASCII, RTU and TCP
- Real time clock
- Enclosed automatic transfer switches ATS.

Automatic transfer switch controllers for 2 power sources

ATL100 type modular version for controlling 2 power sources with single-phase control	31 - 7
ATL500 type non expandable with synoptic and NFC for controlling 2 power sources	31 - 7
ATL600 and ATL601 type non expandable for controlling 2 power sources	31 - 8
ATL610 type expandable with EXP modules for controlling 2 power sources	31 - 8
ATL800 type expandable with EXP modules for controlling 2 power sources and 1 tie breaker	31 - 9

Automatic transfer switch controllers for 3 power sources

ATL900 type expandable with EXP modules for controlling 3 power sources and 2 tie breakers	31 - 10
--	---------

Enclosed automatic transfer switches ATS

ATS with ATL600 automatic transfer switch controller type and contactors	31 - 11
--	---------

Accessories

Dual power supply module	31 - 12
Communication devices, gateway data loggers, gateway, converter, GSM modem	31 - 13

Dimensions	31 - 14
-------------------------	----------------

Wiring diagrams	31 - 15
------------------------------	----------------

Technical characteristics	31 - 18
--	----------------

Home Channel Device Monitoring Trend Parameters Commands Events Alarm Log Utility

© 2021 - Synergy

User 1 Administrator

Seleziona Ambiente > Seleziona Dashboard > Giovedì 31 Dicembre 2020, ore 10:10

AMBIENTE / DASHBOARD Y

Dashboard Y + Nuovo elemento

Indicatori

Id	kW	kvar
L3	91.63	13.14
L2	110.61	12.58



Page 31-7

ATL100

- Modular housing
- Management of two power sources
- Single-phase control.



Page 31-7

ATL500

- Management of two power sources
- Self-seeking power supply
- 2 programmable digital inputs
- 3 programmable digital outputs
- Built-in NFC technology for parameter settings with App **NFC**.



Page 31-8

ATL600 - ATL601

- Management of two power sources
- AC or DC power supply
- 6 programmable digital inputs
- 7 programmable relay outputs.



Page 31-8

ATL610

- Management of two power sources
- AC and DC power supply
- 6 programmable digital inputs
- 7 programmable relay outputs
- Real time clock (RTC)
- Expandable with EXP series modules (inputs and outputs, communication ports).



Page 31-9

ATL800

- Management of 2 power sources and 1 tie breaker
- AC and DC power supply
- 8 programmable digital inputs
- 7 programmable relay outputs
- Built-in NFC technology for parameter settings with App **NFC**
- Real time clock (RTC)
- Non-priority load management
- Closed transition with brief parallel configuration
- Built-in RS485 communication
- Built-in PLC logic
- Expandable with EXP series modules (inputs and outputs, communication ports).



Page 31-10

ATL900

- Management of 3 power sources and 2 tie breakers
- AC and DC power supply
- 12 programmable digital inputs
- 4 current inputs
- 10 programmable relay outputs
- 1 programmable static output
- Built-in NFC technology for parameter settings with App **NFC**
- Real time clock (RTC)
- Non-priority load management
- Closed transition with brief parallel configuration
- Built-in RS485 communication
- Built-in PLC logic
- Expandable with EXP series modules (inputs and outputs, communication ports).



Page 31-11

ENCLOSED AUTOMATIC TRANSFER SWITCHES ATS

- Enclosed automatic transfer switches from 45 to 160A
- Management of 2 power sources
- Four-pole interlocked contactors
- Automatic transfer switch controller type ATL600
- Dual power supply module type ATLDPS1 for the measurement and control of voltages present at supply inputs
- Miniature circuit breakers for the protection of the measuring lines
- Metallic enclosure IP65.



Page 31-12

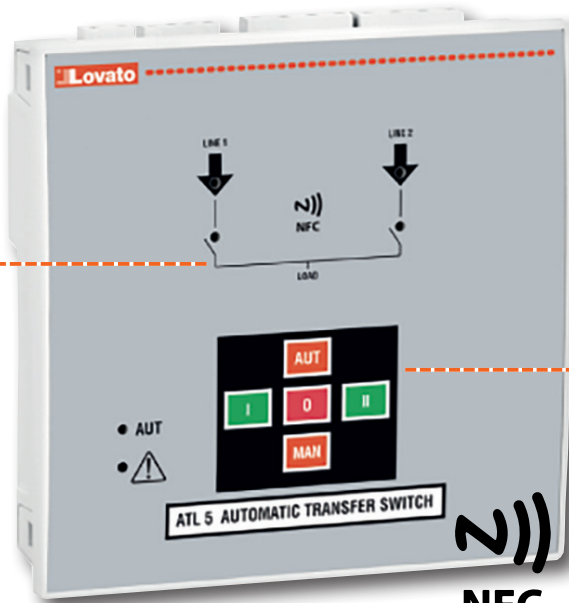
ATLDPS1

- Module specifically designed to control power supply voltage of motorised circuit breakers and changeover switches
- Continuous monitoring of supply line status
- Management via microcontroller management.

SIMPLE AND READY TO USE

SYNOPTIC

The frontal synoptic provides a simple and clear view of the status of the plant, signalling with LEDs the status of the power sources and the status of the changeover devices.

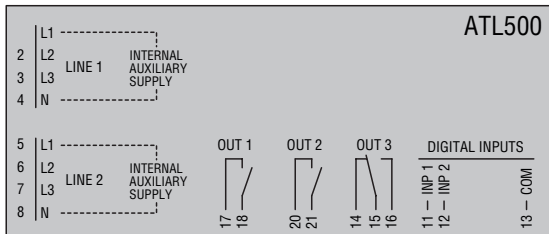


FRONTAL KEYBOARD

With the frontal keyboard it is possible to select the operating mode (manual or automatic) and command manually the switching between the power sources directly with the buttons I-O-II on the front, without need to program any setting on the controller.

SELF-SEEKING POWER SUPPLY

ATL500 has a self-seeking power supply, which automatically selects the best of the two available power sources for the internal supply, taken directly from the two measuring inputs (rated voltage 110...240VAC L-N), without the need of an external circuit or dual power supply module for the selection of the power for the auxiliary supply.



THREE-PHASE WITH NEUTRAL VOLTAGE MONITORING INPUTS

ATL500 is provided with three-phase with neutral voltage monitoring inputs for a complete monitoring of the voltage and frequency of both power sources. The controller can be configured to be used in three-phase with neutral, single-phase or two-phase systems.

PROGRAMMABLE DIGITAL INPUTS AND OUTPUTS

The function of the programmable digital inputs and outputs can be configured via NFC to satisfy different application needs.

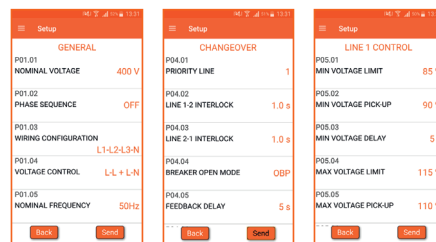
HIGH PROTECTION DEGREE

The controller front and the optional frame seal have been designed to warrant an IP65 protection degree.

NFC CONNECTION

ATL500 is provided with built-in NFC connectivity for the programming via Android and iOS smart devices (smartphone and tablets) with the LOVATO NFC App in a simple, fast and innovative way, which does not need any connection cable and is able to operate even without power supply on the controller. With the LOVATO NFC App it is possible to configure:

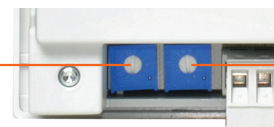
- system parameters: rated system voltage, rated frequency, type of wiring, voltage control mode, etc.
- password for the protection of the access to the settings
- changeover settings: priority line selection, interlock times, feedback delays, etc.
- protection thresholds and tripping delays: min/max voltage, min/max frequency, phase sequence, asymmetry
- function of the programmable digital inputs and outputs
- function of the potentiometers
- alarms properties.



POTENTIOMETERS

ATL500 is provided with two potentiometers on the back, one for each power source, which can be used for the manual setting of the line presence delays (default setting) or to set the tripping delays of the protection thresholds, in alternative to the setting via NFC. The function of the potentiometers can be modified with the LOVATO NFC App.

LINE 1
0...60 sec



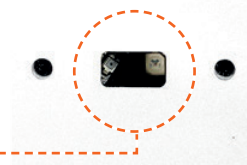
LINE 2
0...60 sec

31 Automatic transfer switch controllers

For 2 power sources.
ATL600 - ATL601 - ATL610

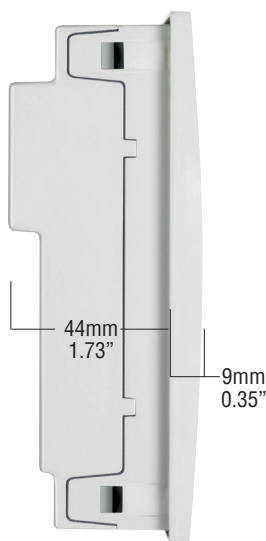
STAY IN CONTROL!

- BACKLIT GRAPHIC LCD DISPLAY**
 128x80 pixel, with excellent legibility with adjustable brightness and display of events, alarms and measurements in 5 languages: English, Italian, French, Spanish and German.



- OPTICAL COMMUNICATION PORT**
 The optical port on the front, using a standard USB or Wi-Fi point, permits communication with a PC, smartphone and tablet, to carry out programming, diagnostics and data download without removing power to the electric panel.

COMPACT SIZE



Slim frame profile and reduced total depth simplify installation of the transfer switch controller also in very compact electric panels.

- HIGH PROTECTION DEGREE**
 The controller front and the optional frame seal have been designed to warrant an **IP65** protection degree.
- MAINTENANCE COUNTERS**
 ATL features two counters used for maintenance; the first monitors the operating time and the second counts the number of switching operations. Exceeding the limit set on the counters activates the corresponding alarm.

FIXING SYSTEM



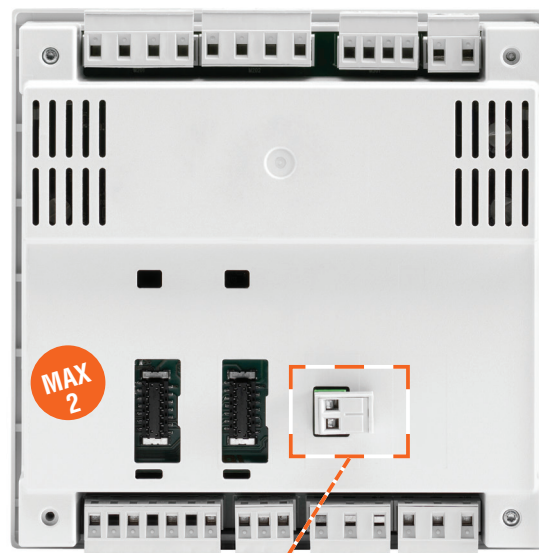
The fixing system with **metal screws** guarantees excellent, lasting hold over time.

- STATISTICS AND EVENTS**
 The recorded statistical data is available to the user for understanding how the system operates. A cyclical internal memory records up to 100 events.
- EMERGENCY DEMAND SUPERVISION FOR STANDBY GENERATING SET**
 In applications where one of the two supply sources is a generating set, the transfer switch controller has specific functions to supervise the generator starting and stopping operations.

INPUTS, OUTPUTS, INTERNAL VARIABLES, COUNTERS

The inputs and outputs can be configured by the user to manage the various application requirements. Also available to the user are limit thresholds, counters, user alarms and remote control variables (ATL610 only) to customise the control functions. The limit and counter statuses, if enabled, are shown in the appropriate pages on the display.

- CALENDAR CLOCK (ATL610)**
 Built-in calendar-clock with backup reserve power.
- DUAL POWER SUPPLY (ATL610)**
 110...240VAC and 12/24VDC supply.
- EXPANDABILITY (ATL610)**
 Basic functions of the transfer switch controllers can be easily extended using EXP series expansion modules:
 - Relay outputs
 - Digital and analogue inputs and outputs
 - Opto-isolated RS232 interface
 - Opto-isolated RS485 interface
 - Opto-isolated Ethernet interface.
 Using modules dedicated to communications the device can be controlled and supervised by the **Synergy** and **Synergy.com** softwares and controlled remotely and configured with the **Xpress** software.



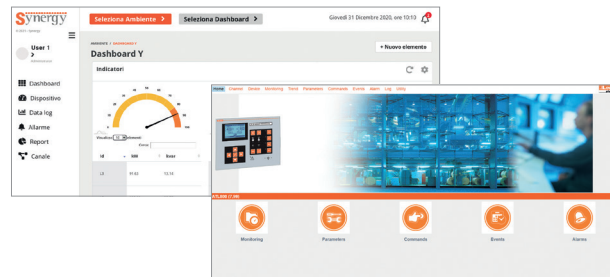
12/24VDC battery supply input (only for ATL601 and ATL610)

VERSATILE CONFIGURATION



ATL800

- Management of 2 energy sources and 1 tie breaker.
- 6 preconfigured system layouts.
- Non-priority load management.
- Management of transition with brief parallel configuration.
- RS485 built-in.
- Built-in NFC technology for parameter settings with the **NFC** App.
- App and software: **Synergy**, **Xpress**, **Sam1**, **NFC**.



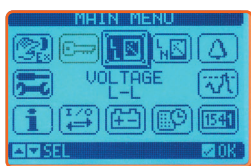
● GRAPHIC LCD AND 8 LANGUAGE TEXT

The backlit graphic display simplifies the user interface and permits good visibility in environments with poor lighting. For ATL800 and ATL900 the texts are available in 8 languages:

English, Italian, French, Spanish, German, Portuguese, Polish and Russian.

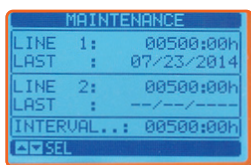
The new interface allows the user to see, clearly and simply:

- System status
- Measurements
- Statistical data
- Threshold control
- Alarm pop-up windows.



● MAINTENANCE COUNTERS

Two counters can be used for scheduling maintenance on the transfer systems installed: the first for recording the operating time and the second for monitoring the number of switching operations. Exceeding the limit set on the counters activates the corresponding alarm.

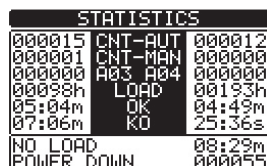
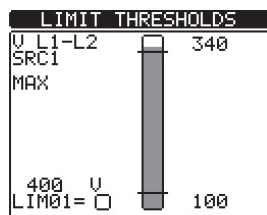


● INPUTS, OUTPUTS, INTERNAL VARIABLES, COUNTERS

The input and output functions are preconfigured with the most frequently used settings; the user can easily modify the predefined configuration and adapt the switch to their application requirements. All the inputs and outputs can be configured. There are various types of programmable internal variables:

- Limit thresholds
- Remote control variables
- User alarms
- Programmable counters
- Timer.

The limit, counter and enabled timer statuses are available for display on dedicated pages.



● HIGH PROTECTION RATING

The controller front and the frame seal have been designed to warrant an **IP65** protection degree.

● STATISTICS AND EVENTS

The statistical data recorded by the transfer switch controller is available to the user for analysing the performance of the switching system. A cyclical internal memory records up to 250 events, providing useful information on the history of the system controlled.

● BUILT-IN CALENDAR CLOCK

A built-in calendar clock with backup reserve energy permits each event to be identified using the time and date on which it occurred.

● BUILT-IN RS485 COMMUNICATION

Thanks to the built-in RS485 communication port, ATL800 and ATL900 are already set up for remote supervision and control. In addition to this communication port, the user can install two further types of communication from those available in the EXP... expansion modules.

● DUAL AC/DC SUPPLY

ATL switches can deal with all supply solutions demanded by the market. The best and safest solution is the simultaneous use of AC and DC supply. The switches can then be supplied by the AC line available and, during switching, in the absence of the AC line, the switch will be supplied by the battery via the DC inputs. Non-stop control! AC supply ensures supply during system monitoring and DC supply guarantees constant supply during switching.

● PROGRAMMABLE PLC LOGIC (ATL900 only)

With the built-in PLC functions, new switching logic can be defined through appropriate combinations of input, output and internal variable signals.

● TIMER

8 timer variables are available for use in the system's PLC logic, in combination with the outputs or user alarms. Each timer variable has an input variable that controls it. When this variable changes state, so does the timer variable, but it remains in the new state only for the time specified then returns automatically to the starting condition.

● NFC CONNECTION

Programming the parameters via tablet and smartphone is now possible also through NFC wireless technology. Bringing a smartphone or tablet with NFC connection enabled close to the display of the ATL800-900 activates the **NFC** App LOVATO and the switch connected is recognised automatically. It will then be possible to modify the parameters and program the ATL.

● USB AND WI-FI COMMUNICATION INTERFACES

ATL800 and ATL900 feature a front optical port for programming via optional USB (CX01) or Wi-Fi (CX02) communication interface. Advantages:

- Not necessary to disconnect the supply from the panel to connect to the switch
- Electrical safety (no physical connection)
- Convenience of operating on the front.

31 Automatic transfer switch controllers

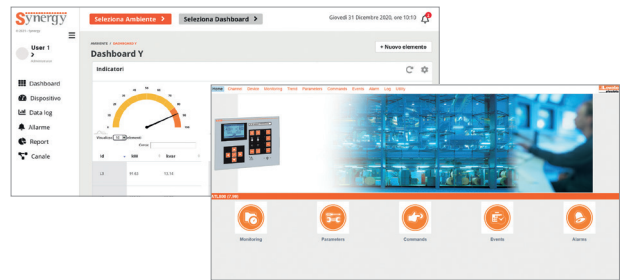
For 2 and 3 power sources.
ATL800 - ATL900

FLEXIBILITY FOR EVERY REQUIREMENT



ATL900

- Management of 3 energy power sources and 2 tie breakers.
- 4 current inputs for the three-phases and neutral.
- 14 preconfigured system layouts.
- Non-priority load management.
- Management of transition with brief parallel configuration.
- RS485 built-in.
- Built-in NFC technology for parameter settings with the **NFC App**.
- App and software: **Synergy**, **Xpress**, **Sam1**, **NFC**.



● WI-FI COMMUNICATION INTERFACE (VIA CX02)

This connection can be used to:

- Copy the parameters. All the parameters of the ATL can be saved in the CX02 memory and if necessary loaded back into the same device (backup function) or a new switch (replication of the configuration).
- Clone the device settings. In addition to copying the parameters, the current values of the statistical data, counters and events can be saved in the memory in order to completely replicate an ATL on another device of the same type or restore the ATL to a previously saved state.

THREE TYPES OF TRANSITION AVAILABLE

Open transition

The switch transfers the load between the two sources, interrupting the supply for a period of time that can be programmed by the user.

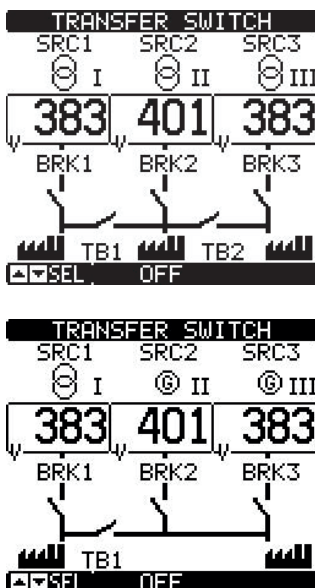
In-phase transition

The switch transfers the load between the two sources, interrupting the supply for a period of time that can be programmed. In this case the load is passed to a new source if spontaneous synchronisation is found; the amplitude, phase and frequency of the two sources must not differ from the maximum value set.

Closed transition

With switches and external protections, configured appropriately, the two sources will be synchronised (where possible) or spontaneous synchronisation will be expected within a limit time. In presence of all synchronisation conditions the load will be transferred with closed transition and instantaneous parallel without interrupting supply.

ATL900: management of three sources and two tie breakers



A single transfer switch controller can be used to manage applications which in the past required several transfer switch controllers in a cascade connection. 24 system layouts are available.

4 current inputs

The current inputs permit the monitoring of the demand load and defining of the correct switching strategy. Knowing the power demanded by the system and the rated power of the sources, ATL900 can select the best source available that can supply the loads correctly.

● EXPANDABILITY

ATL800 and ATL900 functionality can be extended thanks to the EXP... series expansion modules. Three expansion slots are available, and while the switch is restarting the modules are recognised and configured entirely automatically. The following EXP... modules are available:

- Digital I/O modules
- Analogue I/O modules
- USB, RS232, RS485, Ethernet and Profibus communication modules
- GPRS/GSM modem

Since the additional modules are shared with other LOVATO Electric products, it is possible to save in management costs, guaranteeing flexibility and ease of installation, above all when the system has already been commissioned.



EXP10...





	ATL100	ATL500	ATL600 - ATL601	ATL610	ATL800	ATL900
POWER SUPPLY						
Rated DC supply voltage	—	—	12/24VDC (ATL601)	12/24VDC	12/24/48VDC	12/24/48VDC
Rated AC supply voltage	110...230VAC	110...240VAC (self-powered)	110...240VAC (ATL600)	110...240VAC	110...240VAC	110...240VAC
Frequency	45...66Hz	45...66Hz	45...66Hz (ATL600)	45...66Hz	45...66Hz	45...66Hz
FRONT PANEL / HOUSING						
Backlit display	—	—	LCD graphic 128x80 pixel	LCD graphic 128x80 pixel	LCD graphic 128x80 pixel	LCD graphic 128x112 pixel
Languages	—	—	5	5	8	8
Size	Modular housing (3U)	144x144x52.2mm/ 5.67x5.67x2.05"	144x144x52.2mm/ 5.67x5.67x2.05"	144x144x52.2mm/ 5.67x5.67x2.05"	240x180x45mm/ 9.45x7.09x1.77"	240x180x45mm/ 9.45x7.09x1.77"
Degree of protection	IP40 on front / IP20 terminals	IP40 / optional IP65	IP40 / optional IP65	IP40 / optional IP65	IP65	IP65
Expandable with EXP... series modules	—	—	—	2 modules	3 modules	3 modules
VOLTAGE AND CURRENT MEASUREMENT INPUT						
Power sources that can be controlled	—	2	2	2	2	3
Voltage inputs per line	1 phase + neutral	3 phases + neutral	3 phases + neutral	3 phases + neutral	3 phases + neutral	3 phases + neutral
Rated voltage Ue	110...230VAC	110...240VAC L-N	480VAC	480VAC	600VAC	600VAC
Current inputs	—	—	—	—	—	4 (by 5A or 1A)
Frequency range	45...66Hz	45...66Hz	45...66Hz	45...66Hz	45...66Hz	45...66Hz
BUILT-IN DIGITAL INPUTS AND OUTPUTS						
Number of inputs	—	2	6	6	8	12
Number of outputs	3	3	7	7	7	11
Contact configuration	3 NO	2 NO + 1 changeover	6 NO + 1 changeover	6 NO + 1 changeover	4 NO + 3 changeover	6 NO + 4 changeover + 1 SSR
INTERFACE						
Programming with NFC technology	—	●	—	—	●	●
Front optical USB communication port	—	—	● with CX01	● with CX01	● with CX01	● with CX01
Front optical Wi-Fi communication port	—	—	● with CX02	● with CX02	● with CX02	● with CX02
USB communication	—	—	—	● EXP1010	● EXP1010	● EXP1010
RS232 communication	—	—	—	● EXP1011	● EXP1011	● EXP1011
RS485 communication	—	—	—	● EXP1012	● (built-in)	● (built-in)
Ethernet communication	—	—	—	● EXP1013	● EXP1013	● EXP1013
Profibus communication	—	—	—	● EXP1014	● EXP1014	● EXP1014
Communication via Modem	—	—	—	—	● EXP1015	● EXP1015
FUNCTIONS						
Number of tie breakers that can be managed	—	—	—	—	1	2
Programmable source type (utility or generation)	—	●	●	●	●	●
Closed transition	—	—	—	—	●	●
Non-priority load management	—	—	—	—	●	●
Switching management with power thresholds	—	—	—	—	—	●
PLC logic	—	—	—	—	●	●
Timers	—	—	—	—	●	●
System layout available on display	—	—	—	—	6	14
Custom system layouts	—	—	—	—	●	●
User alarms	—	—	●	●	●	●
Limits	—	—	●	●	●	●
Counters	—	—	●	●	●	●
Event logging	—	—	100	100	250	250
Real time clock with backup reserve energy	—	—	—	●	●	●
Acoustic alarms	—	—	—	—	●	●
Analogue inputs	—	—	—	—	● EXP1004	● EXP1004
Analogue outputs	—	—	—	—	● EXP1005	● EXP1005
Accessory for remote alarm status	—	—	—	—	—	● RGKRR

Non expandable modular



ATL100

Order code	Description	Qty per pkg	Wt
		n°	[kg]
ATL100	Automatic transfer switch controller for 2 power sources with single-phase control, modular housing, 110...230VAC supply	1	0.300

General characteristics ATL100

ATL100 is a single-phase automatic transfer switch controller in modular housing. It monitors 2 single-phase voltage inputs and it connects to the output the line that is within the limits. The priority line is the line 1. The 2 outputs can control contactors or motorized changeover switches to perform the transfer between the lines.

Operational characteristics ATL100

- Self-powered
- Input voltage range: 80...300VAC
- Frequency range: 45...66Hz
- 2 relay outputs with 1 NO contact 4A 250VAC
- 1 relay output with 1 NO contact 3A 250VAC.

Non expandable flush-mount



ATL500



Order code	Description	Qty per pkg	Wt
		n°	[kg]
ATL500	Automatic transfer switch controller with NFC technology and synoptic, for 2 power sources with three-phase control (144x144mm/5.7x5.7") self-seeking power supply 110...240VAC	1	0.580

General characteristics ATL500

ATL500 is an automatic transfer switch controller for the automatic or manual switching of the load from the MAIN LINE to a stand-by or emergency SECONDARY LINE and vice versa.

With the integrated outputs, it is possible to control contactors or motorised changeover switches.

The main features are:

- Self-seeking power supply from the two measurement inputs
- Measurement inputs for three-phase + neutral voltage values, also suitable for 1 and 2 phase lines
- Synoptic on front with LEDs for a simple and clear visualisation of the status of the lines and the changeover devices
- Parameter programming via NFC technology and LOVATO **NFC** App downloadable from Google Play Store and App Store. With LOVATO **NFC** App is possible to set: rated system parameters, line control settings, changeover settings, password and I/O functions
- Frontal keyboard for the selection of the operating mode and the manual command of the changeover devices
- 2 programmable digital inputs
- 3 programmable relay outputs
- Potentiometers on the back for the manual setting of the line presence delays or the tripping delays of the protection thresholds.

Operational characteristics ATL500

- Power supply:
 - Self-seeking power supply from the measurement inputs 110...240VAC L-N (range: 90...300VAC L-N)
- Voltage measurement inputs:
 - Rated voltage Ue: 110...240VAC L-N / 190...415VAC L-L
 - Measuring range: 90...300VAC L-N / 155...519VAC L-L
 - Frequency range: 45...66Hz
- Programmable digital inputs:
 - Negative inputs
- Programmable relay outputs:
 - 2 each with 1 normally open contact (NO - SPST) rated 8A 250VAC
 - 1 with 1 changeover contact (NO/NC - SPDT) rated 8A 250VAC
- Enclosure:
 - Flush-mount housing: 144x144mm/5.7x5.7"
 - IEC degree of protection: IP40 on front; IP65 with optional seal EXP8001; IP20 at rear.

Certifications and compliance

Certifications obtained: EAC, RCM (only for ATL500).
 Compliant with standards: IEC/EN/BS 61010-1, IEC/EN/BS 61010-2-030, IEC/EN/BS 60947-1, IEC/EN/BS 60947-6-1, IEC/EN/BS 61000-6-2, IEC/EN/BS 61000-6-3.

Accessories



EXP8001

Order code	Description	Qty per pkg	Wt
		n°	[kg]
EXP8001	IP65 gasket seal for ATL500/600/601/610	1	0.009

Non expandable



ATL600

Order code	Description	Qty per pkg	Wt
		n°	[kg]
ATL600	Automatic transfer switch controller with LCD display and optical port for 2 power sources with three-phase control (144x144mm/5.7x5.7"), 110...240VAC supply	1	0.600
ATL601	Automatic transfer switch controller with LCD display and optical port for 2 power sources with three-phase control (144x144mm/5.7x5.7"), 12...24VDC supply	1	0.600

Expandable with EXP... modules



ATL610

Order code	Description	Qty per pkg	Wt
		n°	[kg]
ATL610	Automatic transfer switch controller with LCD display and optical port for 2 power sources with three-phase control (144x144mm/5.7x5.7"), 110...240VAC and 12/24VDC, supply expandable with EXP... series modules	1	0.680



EXP10...

Order code	Description
------------	-------------

EXPANSION MODULES FOR ATL610
Snap on fixing of two modules on ATL610 rear.
Inputs and outputs.

EXP1000	4 opto-isolated digital inputs
EXP1001	4 opto-isolated static outputs
EXP1002	2 digital inputs and 2 static outputs, opto-isolated
EXP1003	2 relay outputs with changeover contact 5A 250VAC
EXP1006	2 relay outputs, normally open contact 5A 250VAC
EXP1007	3 relay outputs, normally open contact 5A 250VAC
EXP1008	2 opto-isolated digital inputs and 2 5A relay outputs, normally open contact 250VAC

Communication ports.

EXP1010	Opto-isolated USB interface
EXP1011	Opto-isolated RS232 interface
EXP1012	Opto-isolated RS485 interface
EXP1013	Opto-isolated Ethernet interface
EXP1014	Opto-isolated Profibus-DP interface

EXP... expansion modules fixing on ATL610



Accessories



EXP8001

Order code	Description	Qty per pkg	Wt
		n°	[kg]
EXP8001	Protective seal IP65 for ATL500/600/601/610	1	0.150

For ATL610 - ATL800 - ATL900.

51C2	Connection cable PC ↔ ATL610/800/900 with EXP1011, length 1.8m	1	0.090
51C4	Connection cable PC ↔ product RS232/RS485, length 1.8m	1	0.147



51C4

General characteristics ATL600 - ATL601 - ATL610

The automatic transfer switch controllers ATL600 / ATL601 / ATL610 are used for the automatic or manual switching of the load from the MAIN LINE to a stand-by or emergency SECONDARY LINE and vice versa. They have two outputs for the "automatic" and/or "manual" control of contactors or motorised circuit breakers and switches.

The main features are:

- Supply input:
 - Single in AC for ATL600
 - Single in DC for ATL601
 - Dual in AC and DC for ATL610
- Measurement inputs for three-phase + neutral voltage values; also suitable for 1 and 2 phase lines
- 128x80 pixel backlit graphic LCD to view measurements, events and alarms in 5 languages (English, Italian, French, Spanish and German)
- 2 status indication LEDs
- 6 programmable digital inputs
- 7 programmable relay outputs
- Viewing of L-L and L-N voltage values of the controlled lines
- Status viewing of contactor or motorised circuit breakers and switches
- Configuration programming of lines, control and supervision parameters for emergency demand of generating set
- Event logging
- Microprocessor supervision of functions; including virtual real time clock for ATL610
- Communication interface by front optical port with CX01 or CX02 dongle using USB or Wi-Fi
- Compatible with Synergy, supervision and energy management software, Xpress remote control and configuration software and with the Sam1 application for Android/iOS
- Modbus-RTU, ASCII and TCP communication protocol.

CONTROL FUNCTIONS OF THE LINES

- Phase sequence and phase loss
- Minimum and maximum voltage
- Voltage asymmetry
- Minimum and maximum frequency.

Operational characteristics ATL600 - ATL601 - ATL610

- Power supply:
 - Power supply voltage: 110...240VAC (ATL600); 12/24VDC (ATL601); 12/24VDC - 110...240VAC (ATL610)
- Voltage measurement inputs:
 - Rated voltage Ue: 100...480VAC (L-L)
 - Measuring range: 50...576VAC (L-L)
 - Frequency range: 45...66Hz
- Programmable digital inputs:
 - Negative inputs
- Programmable relay outputs:
 - 6 each with 1 normally open contact (NO - SPST) rated 8A 250VAC
 - 1 with changeover contact (NO/NC - SPDT) rated 8A 250VAC
- Enclosure:
 - Flush-mount housing: 144x144mm/5.7x5.7"
 - IEC degree of protection: IP40 on front; IP65 with optional seal EXP8001; IP20 at rear.

Synergy, Synergy_{Yema}, Xpress, Sam1 software and App
See section 36.

EXP expansion modules
See page 35-2.

Certifications and compliance

Certifications obtained: cULus, RCM, LOVAG (only for ATL600 - ATL610), EAC.
Compliant with standards: IEC/EN/BS 61000-6-3 (only for ATL601), IEC/EN/BS 61000-6-4 (only for ATL600 - ATL610), IEC/EN/BS 60947-1, IEC/EN/BS 60947-6-1, IEC/EN/BS 61000-6-2, IEC/EN/BS 61000-6-3, UL508, CSA C22.2 n° 14.

Expandable with EXP... modules



ATL800



EXP10...

EXP... expansion module fixing on ATL800



MAX
3

Accessories



51C4

Order code	Description	Qty per pkg	Wt
		n°	[kg]
ATL800	Automatic transfer switch controller (240x180mm/9.45"-7.09") with LCD display, optical port and NFC for 2 lines control and 1 tie breaker, 110...240VAC supply and 12/24/48VDC, expandable with EXP... series modules	1	1.000

Order code	Description	Qty per pkg	Wt
		n°	[kg]
EXPANSION MODULES. Snap on fixing of three modules on rear of ATL800. Digital inputs and outputs.			
EXP1000	4 opto-isolated digital inputs		
EXP1001	4 opto-isolated static outputs		
EXP1002	2 digital inputs and 2 static outputs, opto-isolated		
EXP1003	2 relay outputs 5A 250VAC, changeover contact		
EXP1006	2 relay outputs, normally open contact 5A 250VAC		
EXP1007	3 relay outputs, normally open contact 5A 250VAC		
EXP1008	2 opto-isolated digital inputs and 2 5A relay outputs, normally open contact 250VAC		
Analogue inputs and outputs.			
EXP1004	2 opto-isolated analogue inputs 0/4...20mA or PT100 or 0...10V or 0...+5V		
EXP1005	2 opto-isolated analogue outputs 0/4...20mA or 0...10V or 0...+5V		
Communication ports.			
EXP1010	Opto-isolated USB interface		
EXP1011	Opto-isolated RS232 interface		
EXP1012	Opto-isolated RS485 interface		
EXP1013	Opto-isolated Ethernet interface		
EXP1014	Opto-isolated Profibus-DP interface		
EXP1015	GPRS/GSM modem		

Order code	Description	Qty per pkg	Wt
		n°	[kg]
51C2	Connection cable PC ↔ ATL610/800/900 with EXP1011, length 1.8m	1	0.090
51C4	Connection cable PC ↔ product RS232/RS485, length 1.8m	1	0.147

General characteristics

The automatic transfer switch controller ATL800 is used for the automatic or manual switching of the load between two lines in accordance with the selected switching logic. It has outputs for the "automatic" and/or "manual" control of contactors or motorised circuit breakers and switches. It can also manage a third control device as tie breaker or non-priority load management. The layout and system status are displayed directly on the graphic LCD.

The main features are:

- AC and DC supply inputs
- Measurement inputs for three-phase + neutral voltage values; also suitable for 1 and 2 phase lines
- 128x80 pixel backlit graphic LCD to view measurements, events and alarms in 8 languages (English, Italian, French, Spanish, German, Portuguese, Polish and Russian)
- Active operating mode indicator LED
- Viewing of L-L and L-N voltage values of the controlled lines
- Viewing the status of contactors or motorised circuit breakers both via display and LED
- 6 system layouts available
- Management of a tie breaker
- 8 programmable digital inputs
- 7 programmable relay outputs
- Viewing of L-L and L-N voltage values of the controlled lines
- Configuration programming of lines, type of source (line/generator), control and supervision parameters for emergency demand of generating set
- Possibility of transferring load with closed transition and spontaneous or controlled genset synchronisation
- Non-priority load management
- Built-in programmable PLC logic
- Built-in RS485 communication
- Event logging
- Virtual calendar clock (RTC)
- Communication interface by front optical port with CX01 or CX02 dongle using USB or Wi-Fi
- Parameter programming via NFC technology and the App **NFC** downloadable from Google Play Store and App Store
- Compatible with **Synergy**, supervision and energy management software, **Xpress** remote control and configuration software and with the **Sam1** application for Android/iOS
- Modbus-RTU, ASCII and TCP communication protocol.

CONTROL FUNCTIONS OF THE LINES

- Phase sequence and phase loss
- Minimum and maximum voltage
- Voltage asymmetry
- Minimum and maximum frequency.

Operational characteristics

- Power supply:
 - Power supply voltage: 100...240VAC; 12/24/48VDC
- Voltage measurement inputs:
 - Rated voltage U_e: 100...600VAC (L-L)
 - Frequency range: 45...66Hz
- Programmable digital inputs:
 - Negative inputs
- Programmable relay outputs:
 - 2 each with 1 normally open contact (NO - SPST) rated 12A 250VAC
 - 2 each with 1 normally open contact (NO - SPST) rated 8A 250VAC
 - 3 each with 1 changeover contact (NO/NC - SPDT) rated 8A 250VAC
- Enclosure:
 - Flush-mount housing: 180x240mm/7.09x9.45"
 - IEC degree of protection: IP65 on front; IP20 on back.

Synergy, **Synergy**, **Xpress**, **Sam1** and **NFC** software and App

See section 36.

EXP expansion modules

See page 35-2.

Certifications and compliance

Certifications obtained: cULus, EAC, RCM, LOVAG. Compliant with standards: IEC/EN/BS 61010-1, IEC/EN/BS 61010-2-030, IEC/EN/BS 61000-6-2, IEC/EN/BS 61000-6-4, IEC/EN/BS 60947-1, IEC/EN/BS 60947-6-1, UL508 and CSA C22.2 n° 14.

Expandable with EXP... modules



ATL900



EXP10...

EXP... expansion module fixing on ATL900

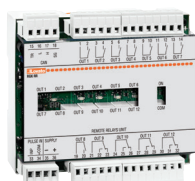


MAX 3

Accessories



51C4



RGKRR

Order code	Description	Qty per pkg	Wt
		n°	[kg]
ATL900	Automatic transfer switch controller (240x180mm/9.45"-7.09") with LCD display, optical port and NFC for 3 lines control and 2 tie breakers, 110...240VAC supply and 12/24/48VDC, expandable with EXP... series modules	1	1.800

Order code	Description
EXPANSION MODULES. Snap on fixing of three modules on rear of ATL900. Digital inputs and outputs.	
EXP1000	4 opto-isolated digital inputs
EXP1001	4 opto-isolated static outputs
EXP1002	2 digital inputs and 2 static outputs, opto-isolated
EXP1003	2 relay outputs 5A 250VAC, changeover contact
EXP1006	2 relay outputs, normally open contact 5A 250VAC
EXP1007	3 relay outputs, normally open contact 5A 250VAC
EXP1008	2 opto-isolated digital inputs and 2 5A relay outputs, normally open contact 250VAC
Analogue inputs and outputs.	
EXP1004	2 opto-isolated analogue inputs 0/4...20mA or PT100 or 0...10V or 0...+5V
EXP1005	2 opto-isolated analogue outputs 0/4...20mA or 0...10V or 0...+5V
Communication ports.	
EXP1010	Opto-isolated USB interface
EXP1011	Opto-isolated RS232 interface
EXP1012	Opto-isolated RS485 interface
EXP1013	Opto-isolated Ethernet interface
EXP1014	Opto-isolated Profibus-DP interface
EXP1015	GPRS/GSM modem

Order code	Description	Qty per pkg	Wt
		n°	[kg]
51C2	Connection cable PC ↔ ATL610/800/900 with EXP1011, length 1.8m	1	0.090
51C4	Connection cable PC ↔ product RS232/RS485, length 1.8m	1	0.147
RGKRR	Remote unit for status and alarms, 12/24 VDC, 12 relay outputs, pulse input	1	0.420

RGKRR is an expansion unit for remote status and alarms. RGKRR can be connected at a maximum distance of 1000m/39.37" using the static output of the ATL900. RGKRR has 12 output relays, 7 normally open (2.5A 250VAC/C38) and 5 changeover contacts (5A 250VAC/B300).

General characteristics

The automatic transfer switch controller ATL900 is used for the automatic or manual switching of the load between three lines in accordance with the selected switching logic. It has outputs for the "automatic" and/or "manual" control of contactors or motorised circuit breakers and switches. It can also manage two more control devices as tie breakers or non-priority load management. It has four current inputs for managing switching with power thresholds. The layout and system status are displayed directly on the graphic LCD. The main features are:

- AC and DC supply inputs
- Measurement inputs for three-phase + neutral voltage values; also suitable for 1 and 2 phase lines
- 4 current measurement inputs
- 128x112 pixel backlit graphic LCD to view measurements, events and alarms in 8 languages (English, Italian, French, Spanish, German, Portuguese, Polish and Russian)
- Active operating mode indicator LED
- Viewing of L-L and L-N voltage values of the controlled lines
- Viewing the status of contactors or motorised circuit breakers both via display and LED
- 6 system layouts available
- Management of a tie breaker
- 12 programmable digital inputs
- 10 programmable relay outputs
- 1 static output
- Viewing of L-L and L-N voltage values of the controlled lines
- Configuration programming of lines, type of source (line/generator), control and supervision parameters for emergency demand of generating set
- Possibility of transferring load with closed transition and spontaneous or controlled genset synchronisation
- Non-priority load management
- Built-in programmable PLC logic
- Built-in RS485 communication
- Event logging
- Virtual calendar clock (RTC)
- Communication interface by front optical port using USB CX01 or Wi-Fi CX02 dongle
- Parameter programming via NFC technology and the App **NFC** downloadable from Google Play Store and App Store
- Compatible with **Synergy**, supervision and energy management software, **Xpress** remote control and configuration software and with the **Sami1** application for Android/iOS
- Modbus-RTU ASCII and TCP communication protocol.

CONTROL FUNCTIONS OF THE LINES

- Phase sequence and phase loss
- Minimum and maximum voltage
- Voltage asymmetry
- Minimum and maximum frequency.

Operational characteristics

- Power supply:
 - Power supply voltage: 100...240VAC; 12/24/48VDC
- Voltage measurement inputs:
 - Rated voltage Ue: 100...600VAC (L-L)
 - Frequency range: 45...665Hz
- Programmable digital inputs:
 - Negative inputs
- Programmable relay outputs:
 - 3 each with 1 normally open contact (NO - SPST) rated 12A 250VAC
 - 3 each with 1 normally open contact (NO - SPST) rated 8A 250VAC
 - 4 each with 1 changeover contact (NO/NC - SPDT) rated 8A 250VAC
 - 1 30VDC 50mA static output
- Enclosure:
 - Flush-mount housing: 180x240mm/5.7x5.7"
 - IEC degree of protection: IP65 on front; IP20 at back.

Synergy, **Synergy**, **Xpress**, **Sami1** and **NFC** software and App

See section 36.

EXP expansion modules

See page 35-2.

Certifications and compliance

Certifications obtained: cULus, EAC, RCM, LOVAG. Compliant with standards: IEC/EN/BS 61010-1, IEC/EN/BS 61010-2-030, IEC/EN/BS 61000-6-2, IEC/EN/BS 61000-6-4, IEC/EN/BS 60947-1, IEC/EN/BS 60947-6-1, UL508 and CSA C22.2 n° 14.

ATS with ATL600 automatic transfer switch controller type and contactors



ATP...

Order code	Operating current AC1	Power (400V)	Dimensions
	[A]	[kVA]	[mm]
Auxiliary supply 230VAC, with four-pole contactors versions.			
ATP0045T4A230C600A	45	31	500x400x200 (19.68x15.75x7.87")
ATP0060T4A230C600A	60	42	500x400x200 (19.68x15.75x7.87")
ATP0080T4A230C600A	80	55	500x400x200 (19.68x15.75x7.87")
ATP0100T4A230C600A	100	69	500x400x200 (19.68x15.75x7.87")
ATP0125T4A230C600A	125	87	600x400x250 (23.62x15.75x9.84")
ATP0160T4A230C600A	160	111	600x400x250 (23.62x15.75x9.84")

General characteristics

The enclosed automatic transfer switches ATP series are supplied in a IP65 metallic enclosure, complete with automatic transfer switch controller type ATL600, four-pole contactors BF series, dual power supply module type ATLDPS1 and miniature circuit breakers (MCB) type P1MB for the protection of the measuring lines.

They are used for the automatic or manual switching of the load between two lines ("MAIN LINE" and "SECONDARY LINE").

They are available in versions from 45 to 160A in four-pole configuration.

CONTROL FUNCTIONS OF THE LINES

- Phase sequence and phase loss
- Minimum and maximum voltage
- Voltage asymmetry
- Minimum and maximum frequency

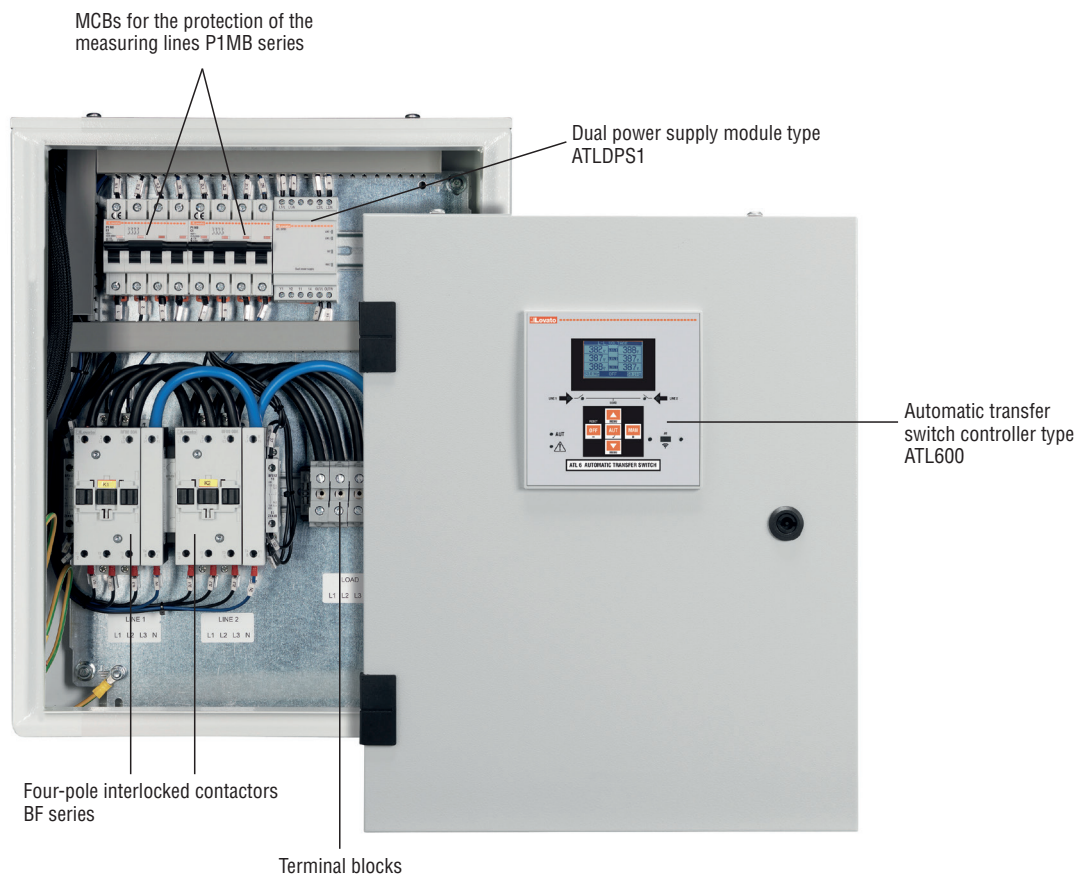
Operational characteristics

- Power supply:
 - Auxiliary supply voltage: 230VAC (taken from the input lines)
- Voltage measurement inputs:
 - Rated voltage U_e : 100...480VAC (L-L)
 - Measuring range: 50...576VAC (L-L)
 - Frequency range: 45...66Hz
- 6 programmable digital inputs
- 7 programmable relay outputs:
 - 6 each with 1 normally open contact (NO-SPST) rated 8A 250VAC
 - 1 with 1 changeover contact (NO/NC - SPDT) rated 8A 250VAC
- Enclosure:
 - Metallic enclosure
 - Flanges for cable entries in the top and bottom sides
 - PVC locking system with double-comb tool insert
 - Opening with left hinges
 - IEC degree of protection: IP65.

Certifications and compliance

Certification obtained: EAC.

Compliant with standards: IEC/EN/BS 61439-2.



Dual power supply module



ATLDPS1

Order code	Description	Qty per pkg	Wt
		n°	[kg]
ATLDPS1	For controlling and selecting supply for motorised circuit breakers and changeover switches 110...230VAC configurable	1	0.300

	110VAC		230VAC	
	MIN	MAX	MIN	MAX
Line absent	< 88V	> 152V	< 176V	> 288V
Line present	> 92V	< 144V	> 185V	< 273V

Using the thresholds above ATLDPS1 outputs one of the power supplies available according to the logic shown in the table:

Status Line 1	LED Line 1	Status Line 2	LED Line 2	Output	LED Output	ATLDPS1	Alarm contact	LED Fault
OK	ON	<MIN OR >MAX	OFF	ON - from line 1	ON	ON - OK	Closed	OFF
OK	ON	OK	ON	ON - from line 1	ON	ON - OK	Closed	OFF
<MIN OR >MAX	OFF	OK	ON	ON - from line 2	ON	ON - OK	Closed	OFF
<MIN	OFF	<MIN	OFF	OFF	OFF	OFF	Open	OFF
>MAX	OFF	<MIN OR >MAX	OFF	OFF	OFF	ON	Open	ON
<MIN OR >MAX	OFF	>MAX	OFF	OFF	OFF	ON	Open	ON
>MIN	ON	OK	ON	OFF	OFF	ON - Fault Internal relays	Open	ON
<MIN OR >MAX	OFF	<MIN OR >MAX	OFF					
OK	ON	>MIN	ON	OFF	OFF	ON - Fault Internal relays	Open	ON

General characteristics

ATLDPS1 is capable of measuring and controlling voltages at its inputs selecting the most ideal to connect to the output. It is suitable to supply motorised circuit breakers and changeover switches in automatic switching systems of 2 three-phase supply lines.

The two voltage inputs of the module are independent and insulated; each is capable of supplying the internal measuring circuit managed by the microcontroller. It reduces the number of components and improves installation safety.

Main ATLDPS1 features include:

- Voltage value selectable via bypass terminals
- Minimum and maximum voltage tripping thresholds
- 2 single-phase L+N inputs
- 1 single-phase L+N output
- L1 priority line
- Use with motorised control units powered at 110VAC or 230VAC
- Output voltage monitoring
- Internal relay self-diagnosis
- Indicating LEDs for abnormal conditions and status of inputs and outputs.

Operational characteristics

- Rated supply voltage: 110...230VAC configurable
- Frequency: 50/60Hz
- Input voltage range: 80...300VAC
- Voltage tripping thresholds min / max: 80% and 120% of preset value
- 2 line inputs L1-L2: Single-phase, between phase and neutral
- Current output: 4A max.
- Priority line: L1 when both input values are within limits
- Fixed delay time between line switching: 0.5s
- 4 status indication LEDs for voltage of each line within limits, voltage present at output, relay output anomaly
- Mounting: 35mm DIN rail (IEC/EN/BS 60715) or screw-type by means of removable clips
- Modular housing, 3 module
- IEC degree of protection: IP40 on front; IP20 at rear.

Certifications and compliance

Certifications obtained: cULus, EAC, RCM, LOVAG. Compliant with standards: IEC/EN/BS 61010-2-030, IEC/EN/BS 61010-2, IEC/EN/BS 61000-6-2, IEC/EN/BS 61000-6-4, IEC/EN/BS 60947-1, IEC/EN/BS 60947-6-1, UL508 and C22.2 n° 14.

Communication devices



CX01

CX02



CX03

Order code	Description	Qty	Wt
		per pkg	
		n°	[kg]
CX01	USB connection device PC↔ATL600/610/800/900 with optical connector for programming, data download, diagnostics and firmware upgrade	1	0.090
CX02	Wi-Fi connection dongle PC↔ATL600/610/800/900 for data download, diagnostics and firmware upgrade, project upload/download and cloning	1	0.090
CX03	GSM penta-band antenna (850/900/1800/1900/2100MHz)	1	0.090

General characteristics

For general characteristics of these accessories see section 35.

Gateway data loggers



EXCGLB...

new

Order code	Description	Qty	Wt
		per pkg	
		n°	[kg]
EXCGLB01	Gateway data logger, 1 RS485 port, 1 Ethernet port, Wi-Fi connection	1	0.190
EXCGLB02	Gateway data logger, 1 RS485 port, 1 Ethernet port, LTE connection, GNSS (GPS)	1	0.190
EXCGLB03	Gateway data logger, 1 RS485 port, 2 Ethernet ports, 4G (LTE) connection	1	0.190

General characteristics

For general characteristics of these accessories see section 34.

Gateway



EXCM4G01

Order code	Description	Qty	Wt
		per pkg	
		n°	[kg]
EXCM4G01	4G Gateway with RS485 and Ethernet port, Modbus RTU/TCP protocol	1	0.300

General characteristics

For general characteristics of these accessories see section 34.

Converter



EXCCON02

new

Order code	Description	Qty	Wt
		per pkg	
		n°	[kg]
EXCCON02	RS485/Ethernet converter, 9...48VDC, with Modbus RTU/TCP protocol conversion functionality	1	0.400

General characteristics

For general characteristics of these accessories see section 34.

Remote control and monitoring GSM modem via SMS

Compliant with Italian CEI 0-16 Standard, paragraph 8.8.6.5 and annex M, resolution 421/2014 of the ARERA



EXCGSM01

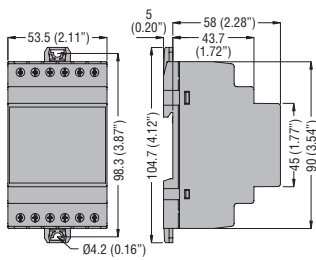
Order code	Description	Qty	Wt
		per pkg	
		n°	[kg]
EXCGSM01	100...240VAC, 1 digital input, 1 analog input (0...10V, 0...20mA, NTC), 1 relay output, receiving and sending SMS messages for remote controls and alarm signals	1	0.340

General characteristics

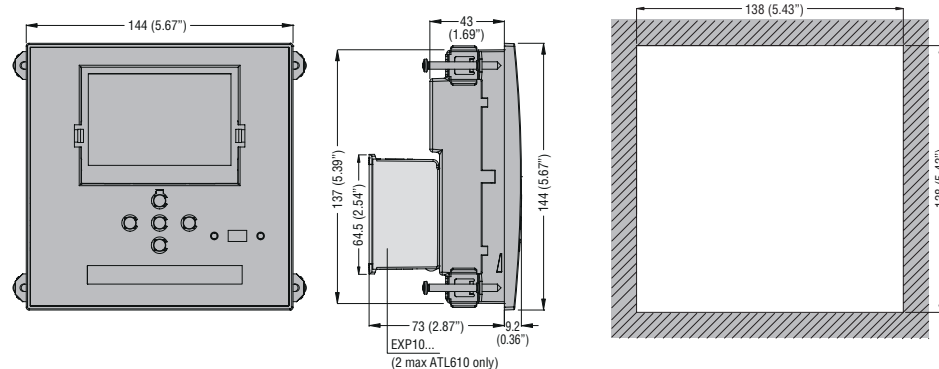
For general characteristics of these accessories see section 34.

AUTOMATIC TRANSFER SWITCH CONTROLLERS

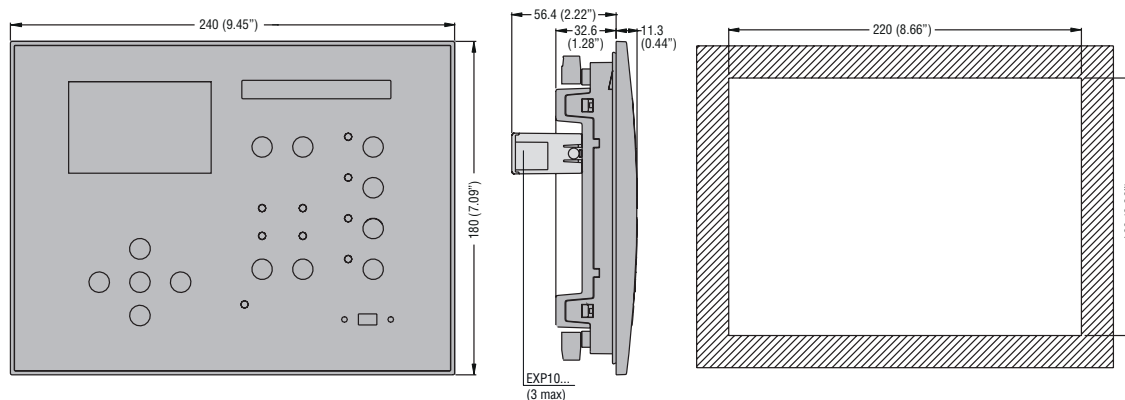
ATL100



ATL500 - ATL600 - ATL601 - ATL610

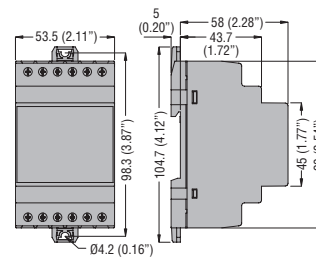


ATL800 - ATL900



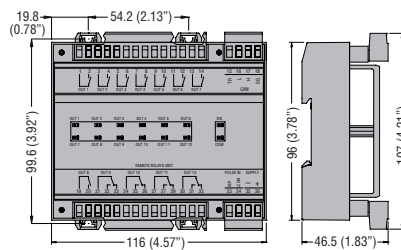
DUAL POWER SUPPLY MODULE

ATLDPS1



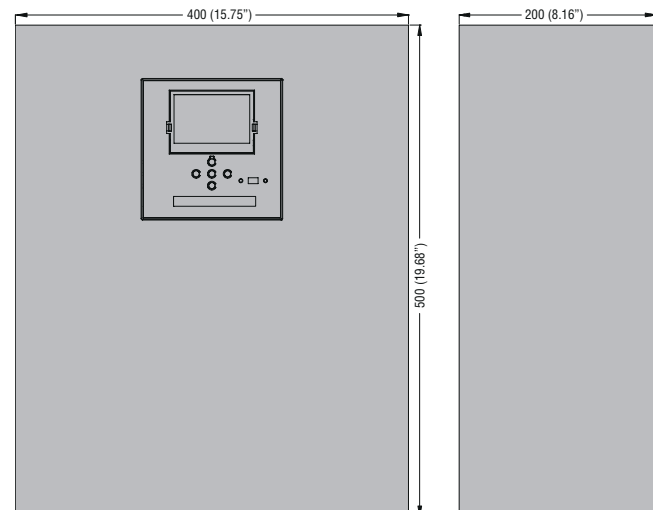
EXPANSION UNIT

RGKRR

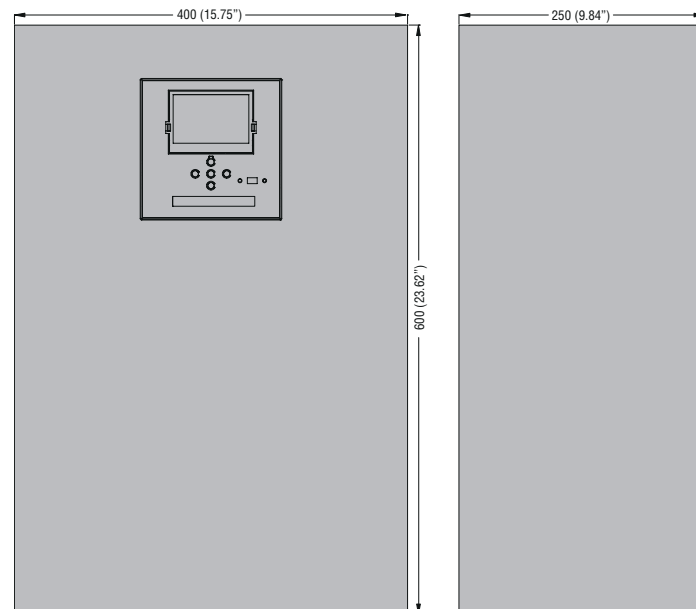


ENCLOSED AUTOMATIC TRANSFER SWITCHES

ATP0045... - ATP0060... - ATP0080... - ATP100...

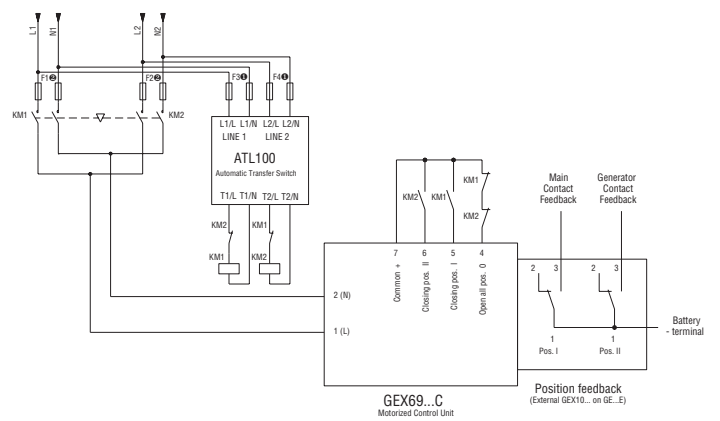
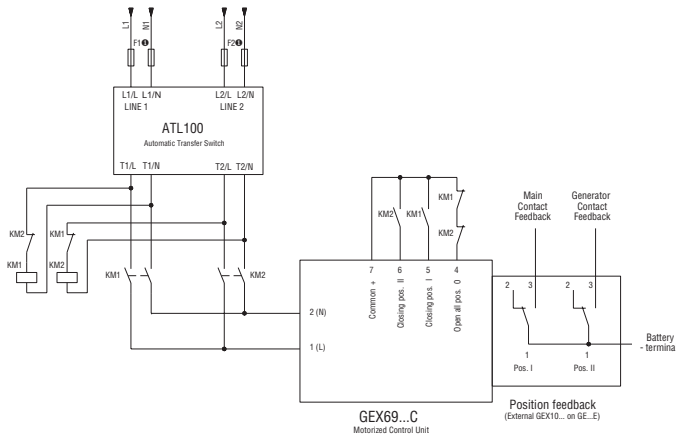
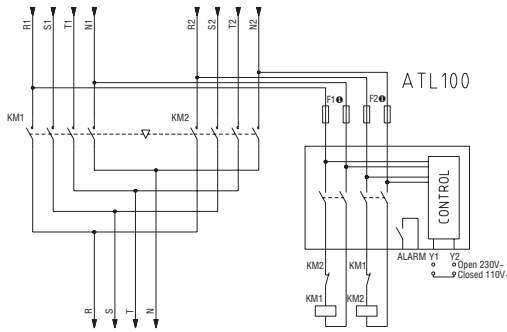


ATP0125... - ATP0160...



ATL100

Connection diagrams

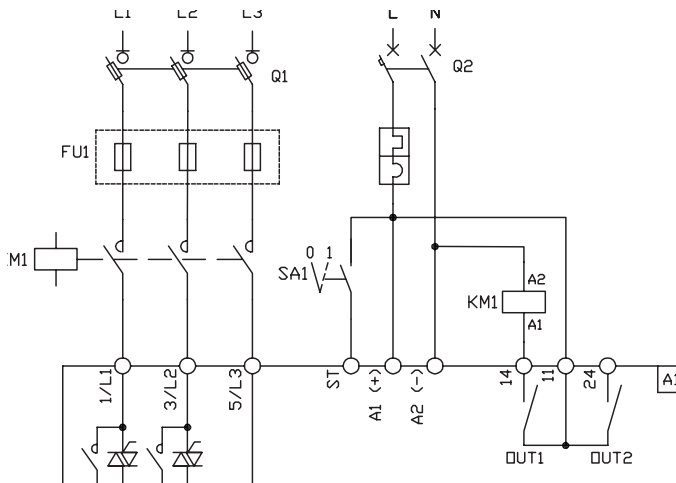


- ① 4A maximum fuses.
- ② 1A maximum fuses.

ATL500

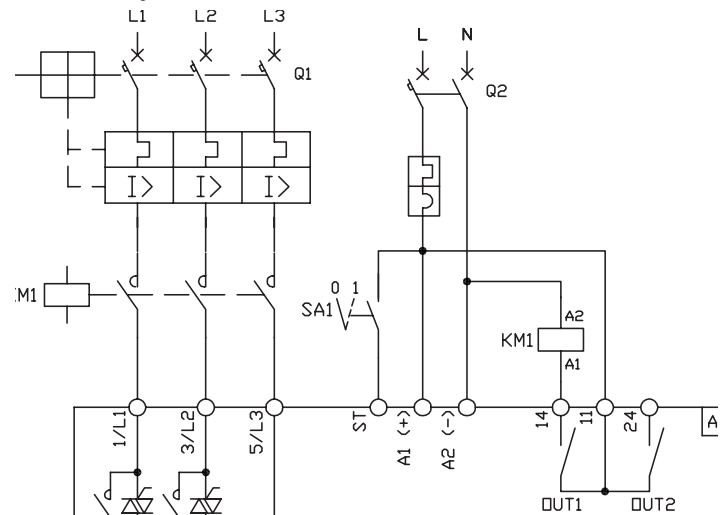
Connection diagrams

Contactors control



Connection diagrams

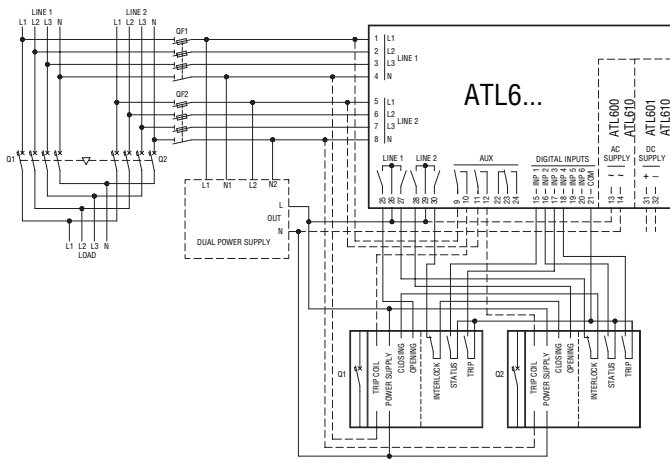
Motorised changeover switches control



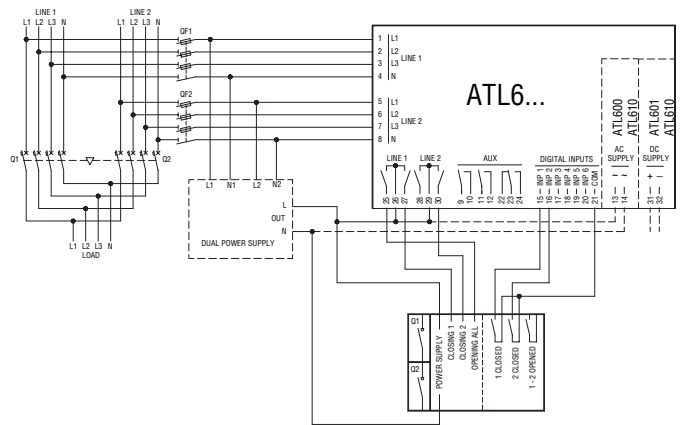
③ For the correct programming of inputs and outputs, consult the installation manuals available at www.LovatoElectric.com.

ATL600 - ATL601 - ATL610

Connection diagrams
Motorised breaker control



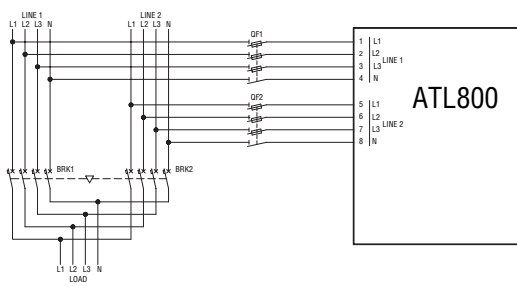
Connection diagrams
Motorised changeover switches control



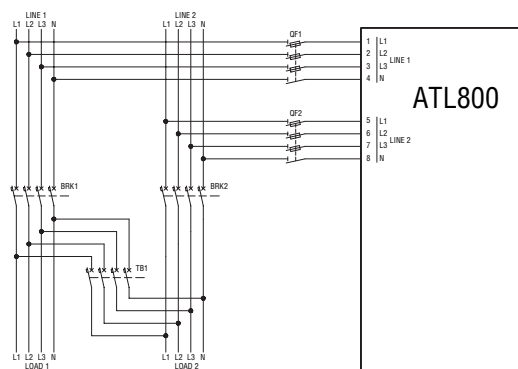
For the correct programming of inputs and outputs, consult the installation manuals available at www.LovatoElectric.com.

ATL800

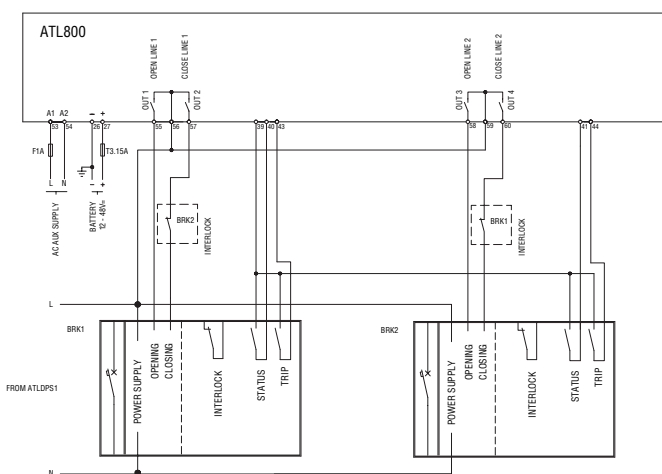
Power connection diagrams
Two breakers



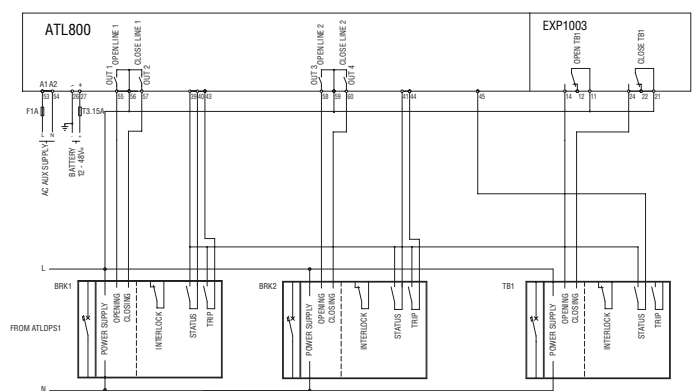
Power connection diagrams
Two breakers and a tie breaker



Control connection diagrams
Two breakers



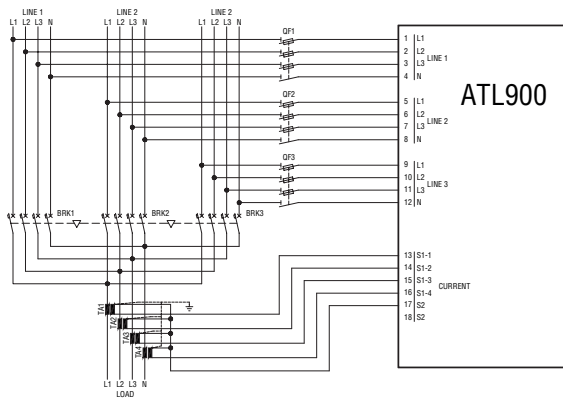
Control connection diagrams
Two breakers and a tie breaker



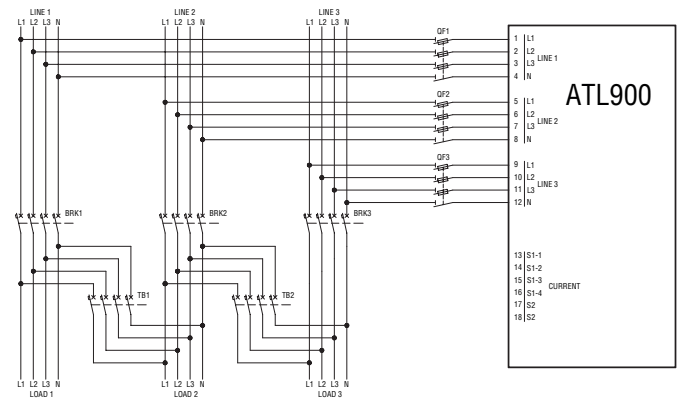
For the correct programming of inputs and outputs, consult the installation manuals available at www.LovatoElectric.com.

ATL900 ①

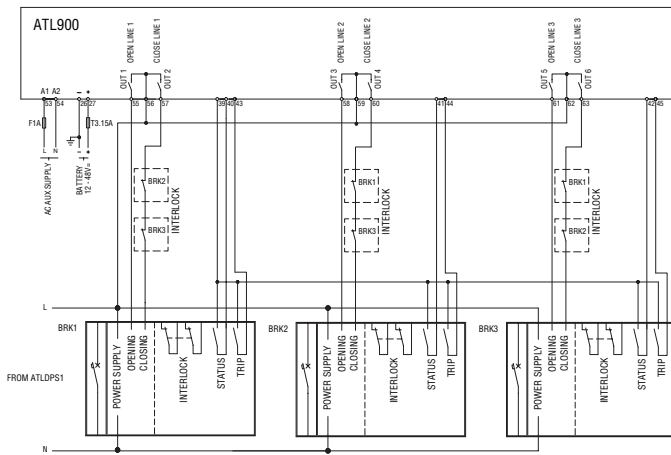
Power connection diagrams
Three breakers



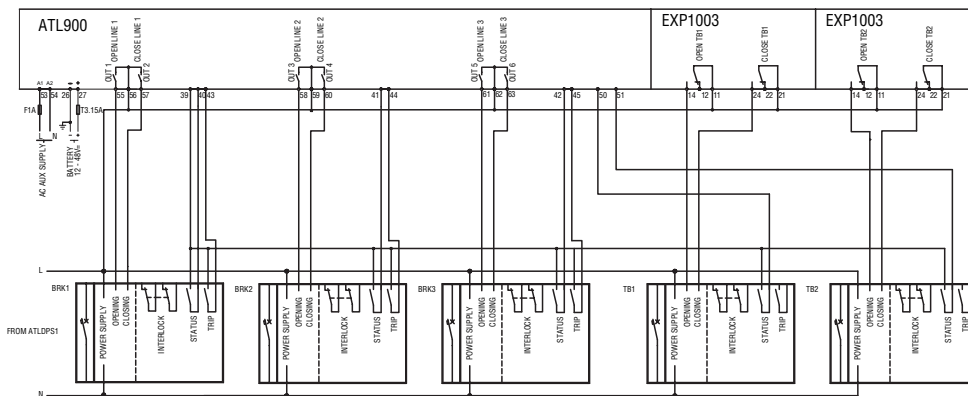
Power connection diagrams
Three breakers and two tie breakers



Control connection diagrams
Three breakers

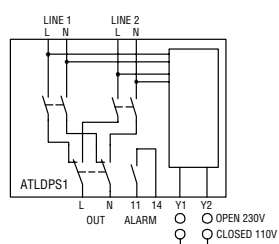


Control connection diagrams
Three breakers and two tie breakers



ATLDPS1 ①

Connection diagram



① For the correct programming of inputs and outputs, consult the installation manuals available at www.LovatoElectric.com.

TYPE	ATL100	ATL500	ATL600 - ATL601 - ATL610	ATL800	ATL900
AC POWER					
IEC rated supply voltage Us	110...230VAC	100...240VAC	100...240VAC (ATL600, ATL610)	100...240VAC	100...240VAC
Operating range	80...300VAC	90...300VAC	90...264VAC (ATL600, ATL610)	90...264VAC	90...264VAC
Frequency	45...66Hz	45...66Hz	45...66Hz	45...66Hz	45...66Hz
Immunity time for micro-breaking	—	≤200ms (110VAC) ≤400ms (220VAC)	≤50ms (110VAC) ≤250ms (220VAC)	≤40ms (110VAC) ≤200ms (220VAC)	≤40ms (110VAC) ≤200ms (220VAC)
Immunity time for micro-breaking (with EXP expansions)	—	—	≤25ms (110VAC) ≤120ms (220VAC)	≤20ms (110VAC) ≤100ms (220VAC)	≤20ms (110VAC) ≤100ms (220VAC)
DC POWER					
Rated battery voltage	—	—	12-24VDC (ATL601, ATL610)	12-24-48VDC	12-24-48VDC
Operating range	—	—	7.5...33VDC (ATL601, ATL610)	7.5...57.6VDC	7.5...57.6VDC
Maximum current consumption	—	—	230mA at 12VDC; 120mA at 24VDC	400mA at 12VAC; 220mA at 24VDC; 100mA at 48VDC	510mA at 12VAC; 260mA at 24VDC; 135mA at 48VDC
Maximum power consumption/dissipation	—	—	2.9W	4.8W	6.5W
VOLTMETER INPUTS					
Maximum rated voltage Ue	110...230VAC	415VAC L-L (240VAC L-N)	480VAC L-L (277VAC L-N)	600VAC L-L (346VAC L-N)	600VAC L-L (346VAC L-N)
Measuring range	80...300VAC	155...519VAC L-L (300VAC L-N)	50...576VAC L-L (333VAC L-N)	50...720VAC L-L (415VAC L-N)	50...720VAC L-L (415VAC L-N)
Frequency range	45...66Hz	45...66Hz	45...66Hz	45...66Hz	45...66Hz
Measurement method	True root mean square (TRMS)	True root mean square (TRMS)	True root mean square (TRMS)	True root mean square (TRMS)	True root mean square (TRMS)
Measuring input impedance	L-N >8MΩ	>0.5MΩ L-N, >1.0MΩ L-L	>0.5MΩ L-N, >1.0MΩ L-L	>0.55MΩ L-N, >1.10MΩ L-L	>0.55MΩ L-N, >1.10MΩ L-L
Wiring method	Single-phase and neutral	Single-phase, two-phase, three-phase line with neutral	Single-phase, two-phase, three-phase line with or without neutral		
AMMETER INPUTS					
Rated current Ie	—	—	—	—	1A~ or 5A~
Measuring range	—	—	—	—	for scale 5A: 0.02 - 6A~ for scale 1A: 0.02 - 1.2A~
Type of input	—	—	—	—	Shunt supplied by current transformer external (low voltage) 5A max.
Measurement type	—	—	—	—	True root mean square (TRMS)
Overload capacity	—	—	—	—	-20% Ie
Overload peak	—	—	—	—	50A for 1 second
Burden	—	—	—	—	<0.6VA
MEASUREMENT ACCURACY					
Mains and genset voltage	±0.25% f.s.	±0.25% f.s.	±0.25% f.s. ±1 digit	±0.25% f.s. ±1 digit	±0.25% f.s. ±1 digit
DIGITAL INPUTS					
Number of inputs	—	2	6	8	12
Type of input	—	Negative	Negative	Negative	Negative
Input current	—	≤5mA	<8mA	<8mA	<8mA
Low input signal	—	≤2.6V	≤2.2V	≤2.2V	≤2.2V
High input signal	—	≥3.1V	≥3.4V	≥3.4V	≥3.4V
Input signal delay	—	≥50ms	≥50ms	≥50ms	≥50ms
CALENDAR CLOCK					
Backup reserve power	—	—	Backup capacitor (ATL610)	Backup capacitor	Backup capacitor
Operation without power voltage	—	—	5 min approx. (ATL610)	14 days approx.	14 days approx.
RELAY OUTPUTS					
Number of outputs	3	3	7	7	10
Configuration	- 2NO: AC1 - 4A 250VAC; 1.5A 250V~ AC15 - 1NO: AC1 - 3A 250VAC; DC1 - 3A 30VDC	- 2NO: AC1 - 8A 250VAC; AC15 - 1.5A 250VAC; - 1 changeover: AC1 - 8A 250VAC, DC1 - 8A 30VDC; AC15 - 1.5A 250VAC	- 6NO: AC1 - 8A 250VAC; AC15 - 1.5A 250VAC; B300 - 1 changeover: AC1 - 8A 250VAC, DC1 - 8A 30VDC; AC15 - 1.5A 250VAC, B300 30VDC1A Auxiliary service	- 2NO: AC1 - 12A 250VAC; AC15 - 1.5A 250VAC; B300 - 2NO: AC1 - 8A 250VAC; AC15 - 1.5A 250VAC; B300 - 3 changeover: AC1 - 8A 250VAC, DC1 - 8A 30VDC; AC15 - 1.5A 250VAC; B300 30VDC 1A Auxiliary service	- 3NO: AC1 - 12A 250VAC; AC15 - 1.5A 250VAC; B300 - 3NO: AC1 - 8A 250VAC; AC15 - 1.5A 250VAC; B300 - 4 changeover: AC1 - 8A 250VAC, DC1 - 8A 30VDC; AC15 - 1.5A 250VAC; B300 30VDC 1A Auxiliary service
Mechanical / electrical endurance	1x10 ⁷ / 1x10 ⁵ operations	1x10 ⁷ / 1x10 ⁵ operations	1x10 ⁷ / 1x10 ⁵ operations	1x10 ⁷ / 1x10 ⁵ operations	1x10 ⁷ / 1x10 ⁵ operations

TYPE	ATL100	ATL500	ATL600 - ATL601 - ATL610	ATL800	ATL900
STATIC OUTPUT					
Output type	—	—	—	—	NO
Operating voltage	—	—	—	—	10-30V
Maximum current	—	—	—	—	50mA
AMBIENT CONDITIONS					
Operating temperature	-30...+70°C				
Storage temperature	-30...+80°C				
Relative humidity	<80% (IEC/EN/BS 60068-2-78)				
Maximum pollution degree	2				
Overvoltage category	3				
Climatic sequence	III				
Climatic sequence	Z/ABDM (IEC/EN/BS 60068-2-61)				
Shock resistance	15g (IEC/EN/BS 60068-2-27)				
Vibration resistance	0.7g (IEC/EN/BS 60058-2-6)				
HOUSING					
Version	Modular housing 3 modules (DIN 43880)	Flush-mount			
Material	Polyamide RAL 7035	Polycarbonate			
IEC degree of protection	IP40 on front IP20 on terminals	IP40 on front IP65 with optional gasket IP20 on terminals		IP65 on front IP20 on terminals	
Weight	300g	580g	600g (ATL600 - ATL601) 680g (ATL610)	1000g	1090g
CERTIFICATIONS AND COMPLIANCE					
Certifications obtained	EAC	EAC, RCM	cULus, RCM (except ATL601), EAC, LOVAG (ATL610, ATL800, ATL900)		
Compliance with standards	IEC/EN/BS 61010-1, IEC/EN/BS 61010-2-030, IEC/EN/BS 61000-6-2, IEC/EN/BS 61000-6-4, IEC/EN/BS 60947-1, IEC/EN/BS 60947-6-1	IEC/EN/BS 61010-1, IEC/EN/BS 61010-2-030, IEC/EN/BS 61000-6-2, IEC/EN/BS 61000-6-3, IEC/EN/BS 60947-1, IEC/EN/BS 60947-6-1	IEC/EN/BS 61010-1, IEC/EN/BS 61010-2-030, IEC/EN/BS 61010-2, IEC/EN/BS 61000-6-2, IEC/EN/BS 61000-6-4, IEC/EN/BS 60947-1, IEC/EN/BS 60947-6-1, UL508 e CSA C22.2 n°14		