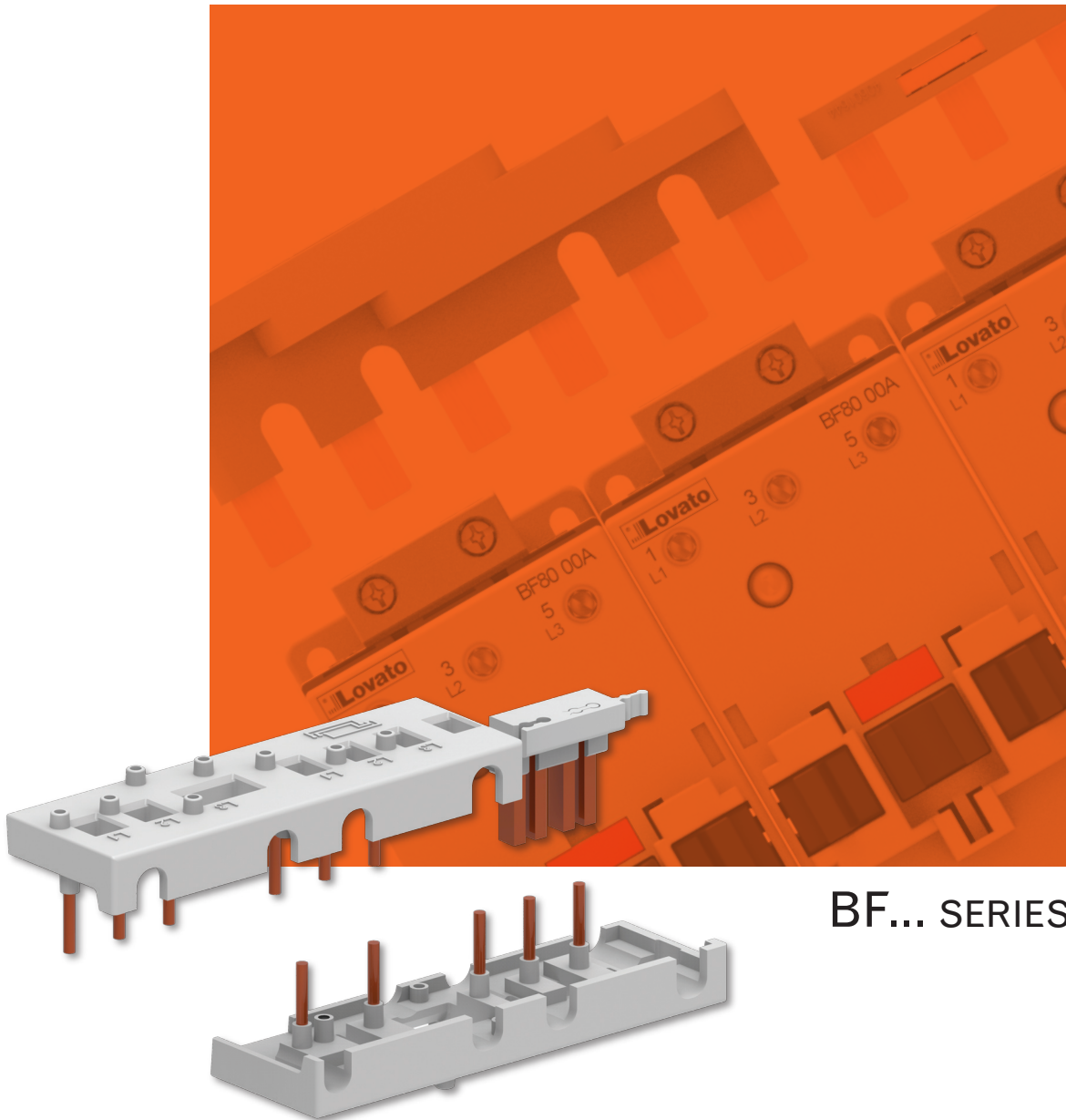


RIGID CONNECTIONS FOR CONTACTORS



BF... SERIES

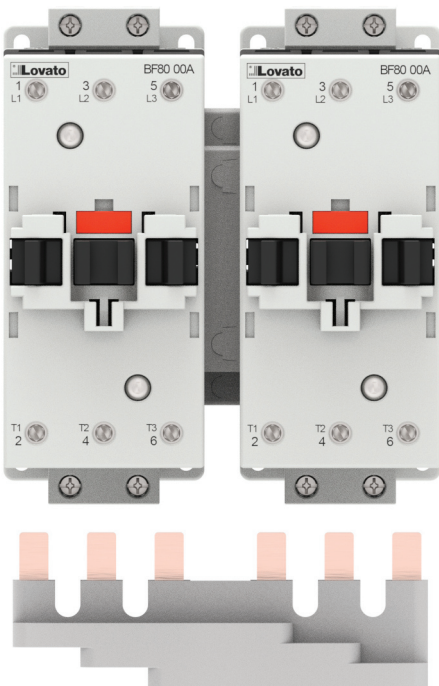

electric

ENERGY AND AUTOMATION

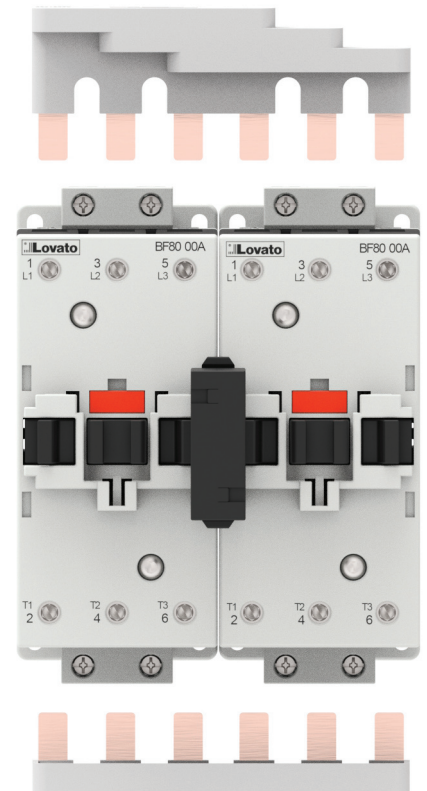
RIGID CONNECTION KIT FOR FAST WIRING WITHOUT MISTAKES

The assembly and wiring of electromechanical starters is extremely fast and reliable thanks to LOVATO Electric rigid connections. These versatile electrical and mechanical connecting systems provide easy and foolproof assembly of compact changeover switches, reversing switches and star-delta starters, in a short time and without the possibility of error.

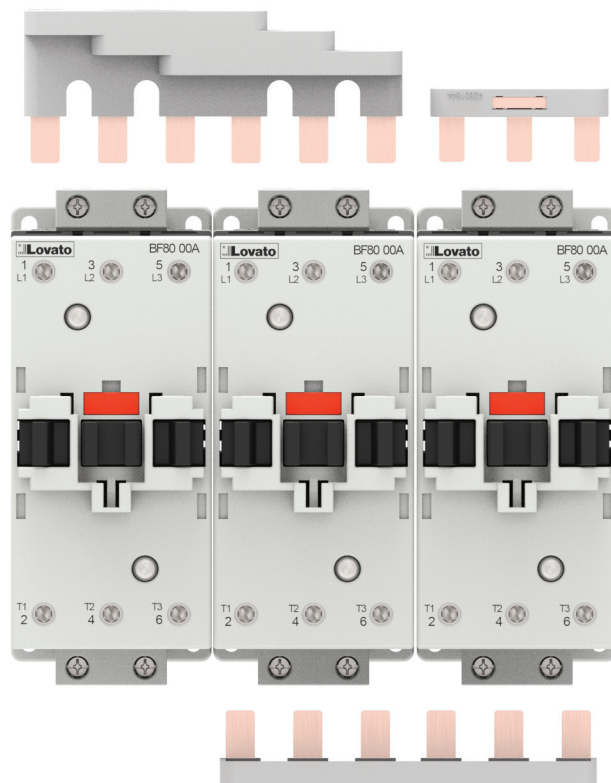
● CHANGEOVER

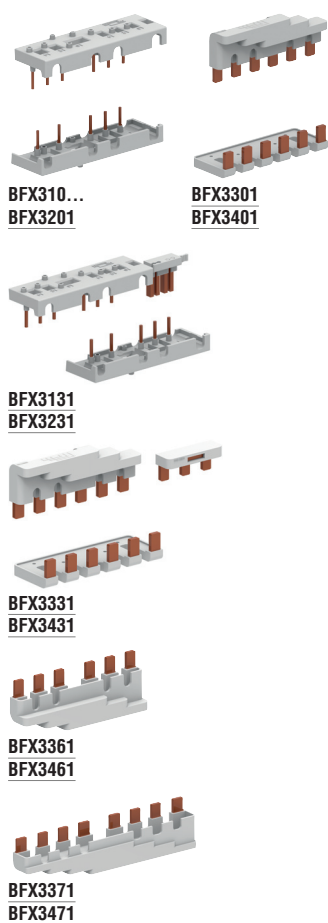


● REVERSING STARTER



● STAR-DELTA STARTER





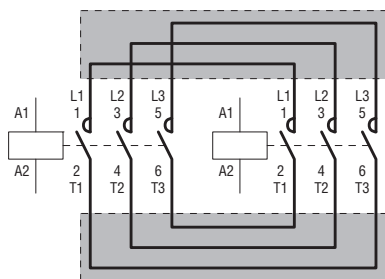
Order code	Characteristics	Qty	Wt
		per pkg	[kg]
		n°	
Rigid connecting kits for three-pole reversing contactor assembly.			
BFX3101	For contactors BF09...BF25 side by side with BFX5002 or BFX5003 mechanical interlock	1	0.052
BFX3102	For contactors BF09...BF25 side by side with BFX5000 or BFX5001 mechanical interlock	1	0.054
BFX3201	For contactors BF26...BF38 side by side with BFX50... mechanical interlock	1	0.060
BFX3301	For contactors BF40...BF94 side by side with BFX5303 mechanical interlock	1	0.150
BFX3401	For contactors BF95...BF150 side by side with BFX5403 mechanical interlock	1	0.200
Rigid connecting kits for star-delta starters.			
BFX3131	For contactors BF09...BF25	1	0.058
BFX3231	For contactors BF26...BF38	1	0.064
BFX3232	For contactors BF26...BF38 (L/Δ) BF09...BF25 (Δ)	1	0.064
BFX3332	For contactors BF40...BF94 (L/Δ) BF26...BF38 (Δ)	1	0.200
BFX3331	For contactors BF40...BF94	1	0.220
BFX3432	For contactors BF95...BF150 (L/Δ) BF40...BF94 (Δ)	1	0.250
BFX3431	For contactors BF95...BF150	1	0.270
Rigid connecting kits for changeovers.			
BFX3361	For three pole contactors BF40...BF94 with BFX5300/BFX5301 mechanical interlock	1	0.150
BFX3461	For three pole contactors BF95...BF150 with BFX5400/BFX5401 mechanical interlock	1	0.200
BFX3371	For four pole contactors BF40...BF80 with BFX5300/BFX5301 mechanical interlock	1	0.200
BFX3471	For four pole contactors BF95...BF150 with BFX5400/BFX5401 mechanical interlock	1	0.300

Certifications and compliance

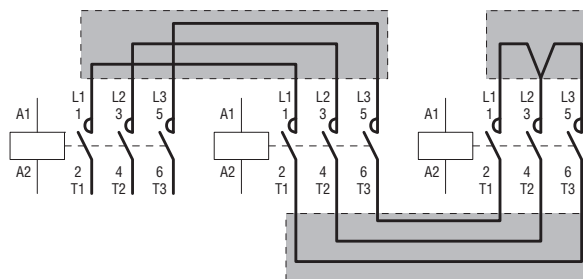
Certifications obtained: UL Listed for USA and Canada (cULus - File E93602), for all connecting kits for starters and changeovers BFX3...; EAC. Compliant with standards: IEC/EN/BS 60947-1, UL 60947-1, CSA C22.2 n° 60947-1.

Wiring diagrams

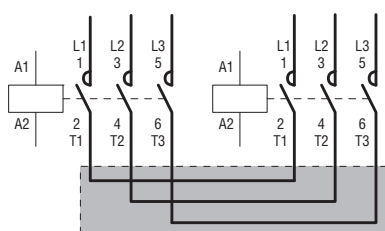
BFX3101 - BFX3102 - BFX3201
BFX3301 - BFX3401



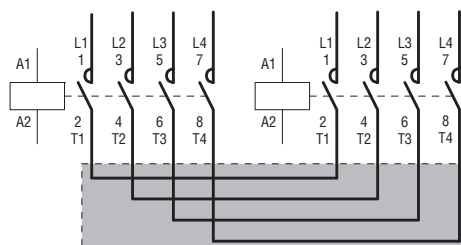
BFX3131 - BFX3231 - BFX3232 - BFX3331 - BFX3332 - BFX3431 - BFX3432



BFX3361 - BFX3461

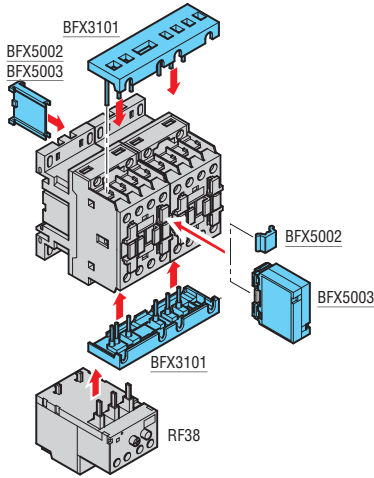


BFX3371 - BFX3471

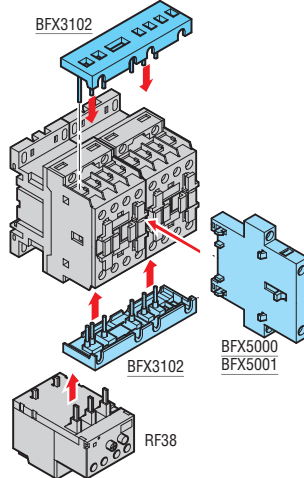


AC, DC and DC low consumption contactors

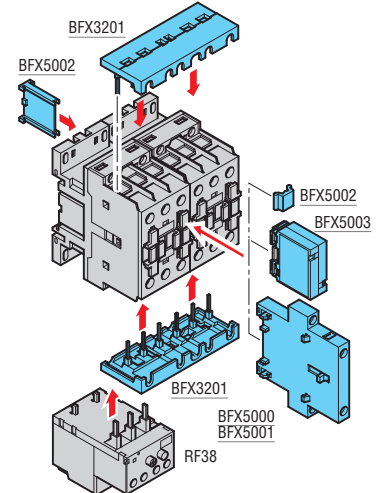
Rigid connecting kits for three-pole reversing contactor assembly. For BF09...BF25 contactors



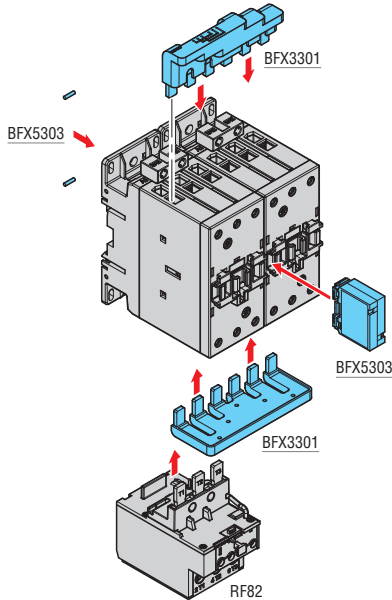
Rigid connecting kits for three-pole reversing contactor assembly. For BF09...BF25 contactors



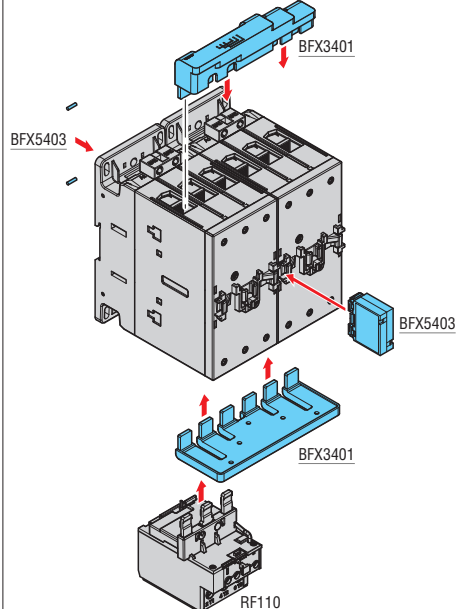
Rigid connecting kits for three-pole reversing contactor assembly. For BF26...BF38 contactors



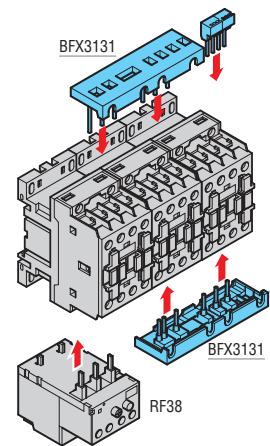
Rigid connecting kits for three-pole reversing contactor assembly. For BF40...BF94 contactors



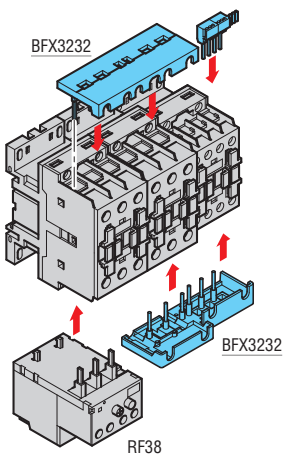
Rigid connecting kits for three-pole reversing contactor assembly. For BF95...BF150 contactors



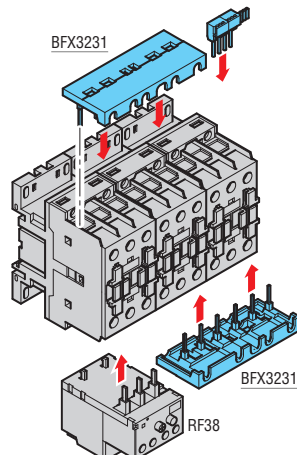
Rigid connecting kits for star-delta starters. For BF09...BF25 contactors



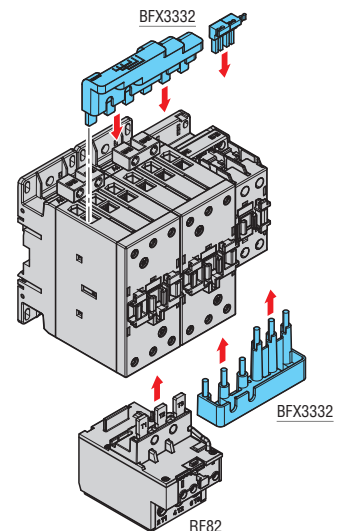
Rigid connecting kits for star-delta starters. For BF26...BF38 (line-delta) and BF09...BF25 (star) contactors



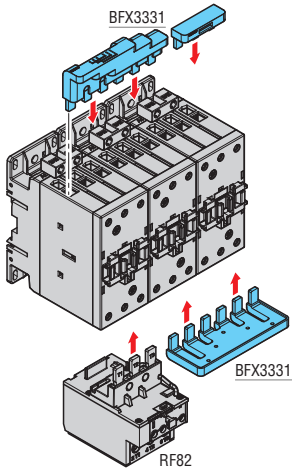
Rigid connecting kits for star-delta starters. For BF26...BF38 contactors



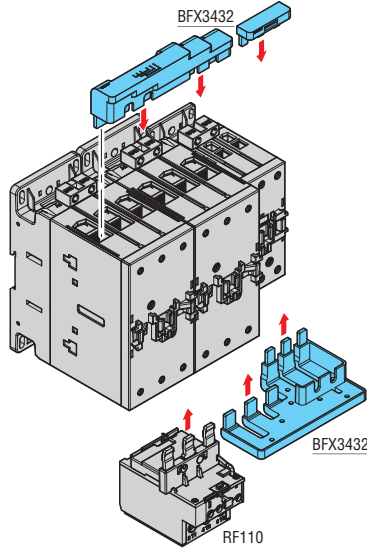
Rigid connecting kits for star-delta starters. For BF40...BF94 (line-delta) and BF26...BF38 (star) contactors



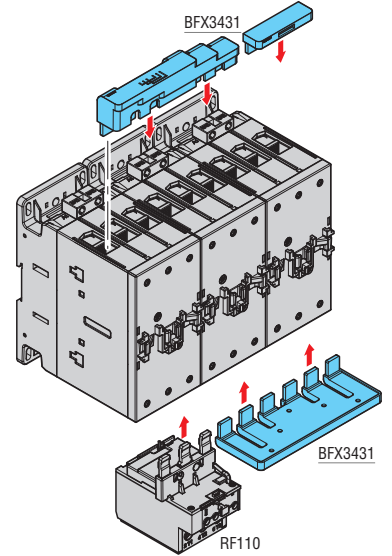
Rigid connecting kits for star-delta starters.
For BF40...BF94 contactors



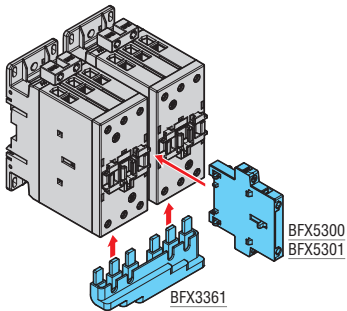
Rigid connecting kits for star-delta starters.
For BF95...BF150 (line-delta) and BF40...BF94 (star)
contactors



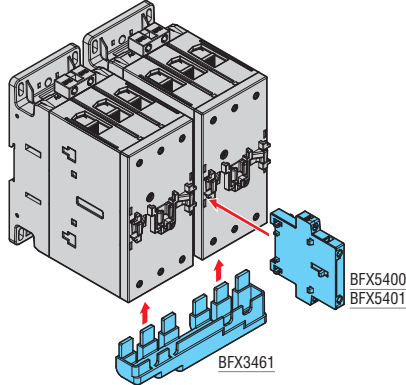
Rigid connecting kits for star-delta starters.
For BF95...BF150 contactors



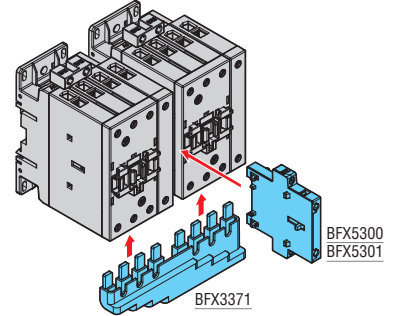
Rigid connecting kits for three-pole changeovers.
For BF40...BF94 contactors



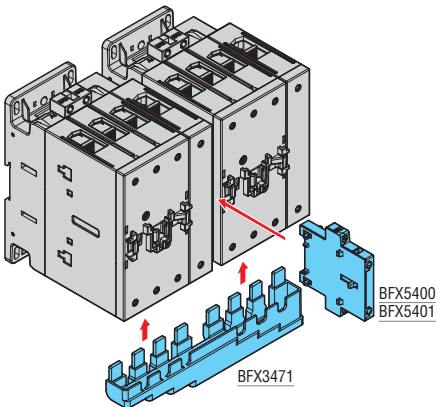
Rigid connecting kits for three-pole changeovers.
For BF95...BF150 contactors



Rigid connecting kits for four-pole changeovers.
For BF40...BF94 contactors



Rigid connecting kits for four-pole changeovers.
For BF95...BF150 contactors

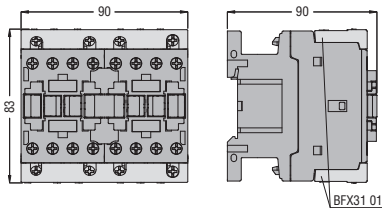


Rigid connections for contactors

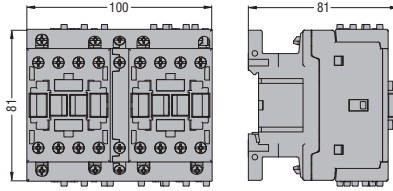
Dimensions [mm]

Rigid connecting kit reversing starters

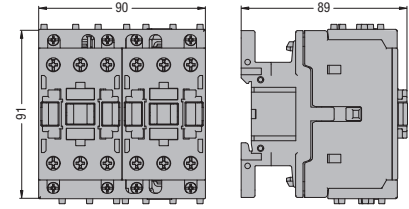
BFX3101



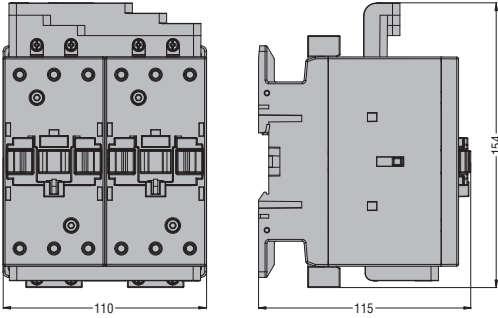
BFX3102



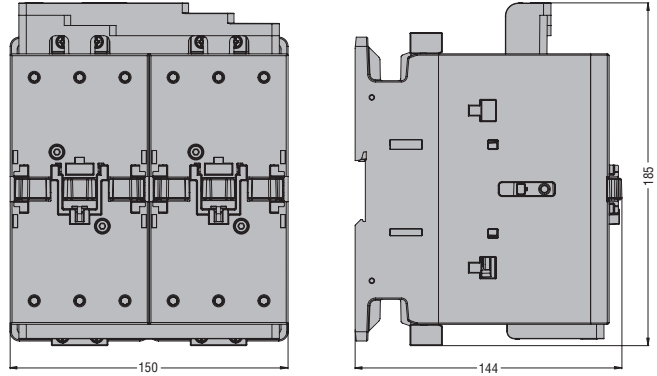
BFX3201



BFX3301

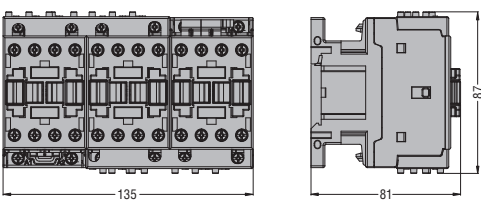


BFX3401

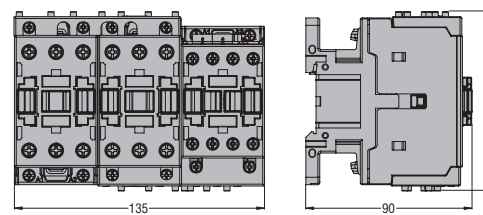


Rigid connecting kit star-delta starters

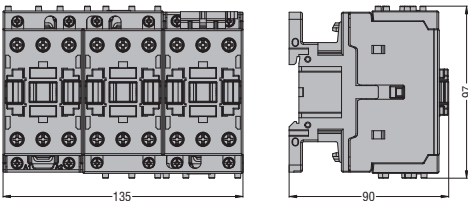
BFX3131



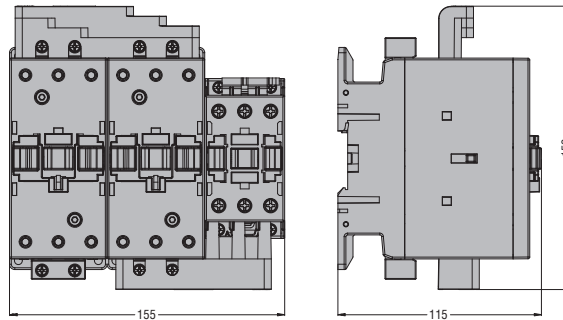
BFX3232



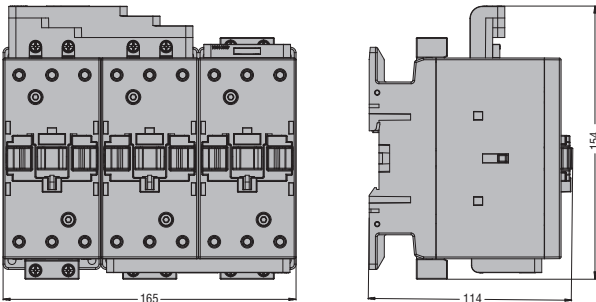
BFX3231



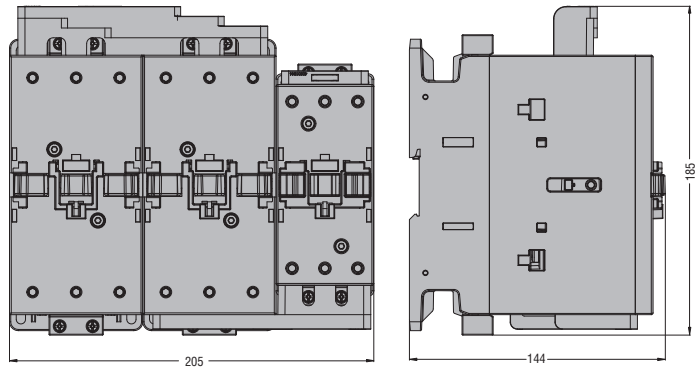
BFX3332



BFX3331



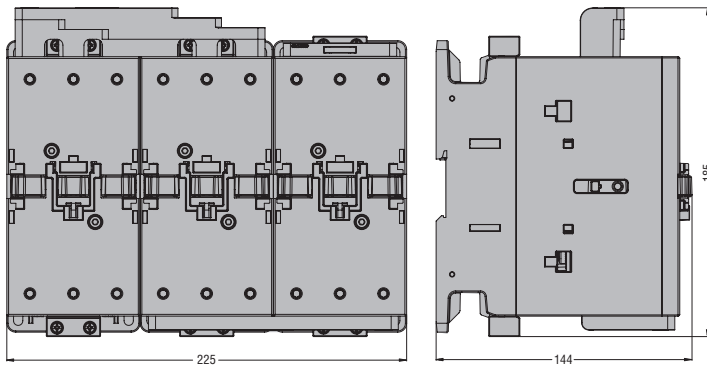
BFX3432



Rigid connections for contactors

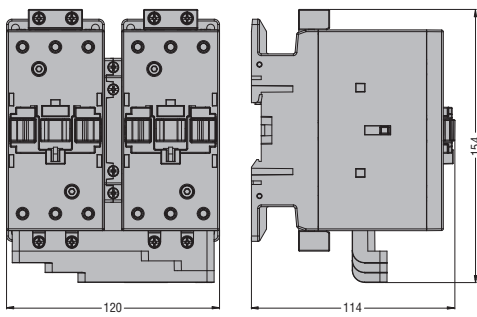
Dimensions [mm]

BFX3431

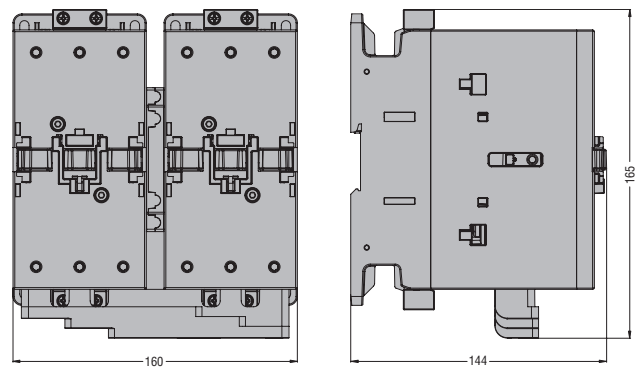


Rigid connecting kit changeover starters

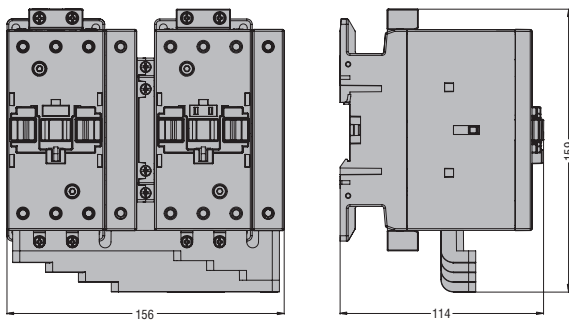
BFX3361



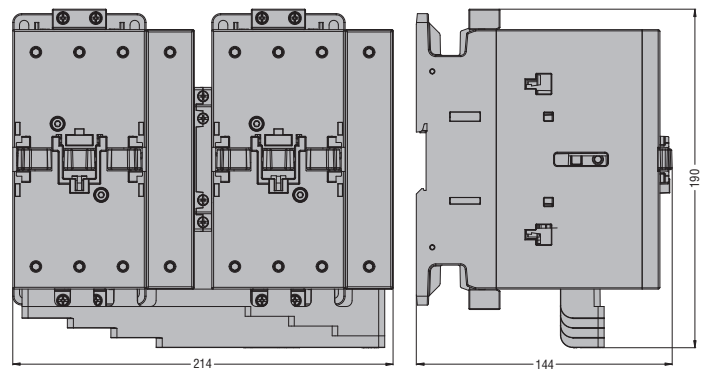
BFX3461



BFX3371



BFX3471



■ RIGID CONNECTIONS FOR CONTACTORS



ENERGY AND AUTOMATION

www.LovatoElectric.com

LOVATO ELECTRIC S.P. A.

via Don E. Mazza, 12
24020 Gorle (Bergamo), Italy

tel +39 035 4282111
info@LovatoElectric.com



Follow us

The products described in this publication are subject to be revised or improved at any moment. Catalogue descriptions and details, such as technical and operational data, drawings, diagrams and instructions, etc., do not have any contractual value. In addition, products should be installed and used by qualified personnel and in compliance with the regulations in force for electrical systems in order to avoid damages and safety hazards.