

LOVATO ELECTRIC S.P.A.

24020 GORLE (BERGAMO) ITALIA
VIA DON E. MAZZA, 12
TEL. 035 4282111
E-mail info@LovatoElectric.com
Web www.LovatoElectric.com



GB THYRISTOR MODULES

Instruction manual

DCTL...



WARNING!

- Carefully read the manual before the installation or use.
- This equipment is to be installed by qualified personnel, complying to current standards, to avoid damages or safety hazards.
- Before any maintenance operation on the device, remove all the voltages from measuring and supply inputs and short-circuit the CT input terminals.
- The manufacturer cannot be held responsible for electrical safety in case of improper use of the equipment.
- Products illustrated herein are subject to alteration and changes without prior notice. Technical data and descriptions in the documentation are accurate, to the best of our knowledge, but no liabilities for errors, omissions or contingencies arising there from are accepted.
- A circuit breaker must be included in the electrical installation of the building. It must be installed close by the equipment and within easy reach of the operator. It must be marked as the disconnecting device of the equipment: IEC/EN/BS 61010-1 § 6.11.3.1.
- Clean the device with a soft dry cloth; do not use abrasives, liquid detergents or solvents.



ATTENTION !

- Lire attentivement le manuel avant toute utilisation et installation.
- Ces appareils doivent être installés par un personnel qualifié, conformément aux normes en vigueur en matière d'installations, afin d'éviter de causer des dommages à des personnes ou choses.
- Avant toute intervention sur l'instrument, mettre les entrées de mesure et d'alimentation hors tension et court-circuiter les transformateurs de courant.
- Le constructeur n'assume aucune responsabilité quant à la sécurité électrique en cas d'utilisation impropre du dispositif.
- Les produits décrits dans ce document sont susceptibles d'évoluer ou de subir des modifications à n'importe quel moment. Les descriptions et caractéristiques techniques du catalogue ne peuvent donc avoir aucune valeur contractuelle.
- Un interrupteur ou disjoncteur doit être inclus dans l'installation électrique du bâtiment. Celui-ci doit se trouver tout près de l'appareil et l'opérateur doit pouvoir y accéder facilement. Il doit être marqué comme le dispositif d'interruption de l'appareil : IEC/EN/BS 61010-1 § 6.11.3.1.
- Nettoyer l'appareil avec un chiffon doux, ne pas utiliser de produits abrasifs, détergents liquides ou solvants.



ACHTUNG!

- Dieses Handbuch vor Gebrauch und Installation aufmerksam lesen.
- Zur Vermeidung von Personen- und Sachschäden dürfen diese Geräte nur von qualifiziertem Fachpersonal und unter Befolgung der einschlägigen Vorschriften installiert werden.
- Vor jedem Eingriff am Instrument die Spannungszufuhr zu den Messeingängen trennen und die Stromwandler kurzschließen.
- Bei zweckwidrigem Gebrauch der Vorrichtung übernimmt der Hersteller keine Haftung für die elektrische Sicherheit.
- Die in dieser Broschüre beschriebenen Produkte können jederzeit weiterentwickelt und geändert werden. Die im Katalog enthaltenen Beschreibungen und Daten sind daher unverbindlich und ohne Gewähr.
- In die elektrische Anlage des Gebäudes ist ein Ausschalter oder Trennschalter einzubauen. Dieser muss sich in unmittelbarer Nähe des Geräts befinden und vom Bediener leicht zugänglich sein. Er muss als Trennvorrichtung für das Gerät gekennzeichnet sein: IEC/EN/BS 61010-1 § 6.11.3.1.
- Das Gerät mit einem weichen Tuch reinigen, keine Scheuermittel, Flüssigreinerer oder Lösungsmittel verwenden.



ADVERTENCIA

- Leer atentamente el manual antes de instalar y utilizar el regulador.
- Este dispositivo debe ser instalado por personal cualificado conforme a la normativa de instalación vigente a fin de evitar daños personales o materiales.
- Antes de realizar cualquier operación en el dispositivo, desconectar la corriente de las entradas de alimentación y medida, y cortocircuitar los transformadores de corriente.
- El fabricante no se responsabilizará de la seguridad eléctrica en caso de que el dispositivo no se utilice de forma adecuada.
- Los productos descritos en este documento se pueden actualizar o modificar en cualquier momento. Por consiguiente, las descripciones y los datos técnicos aquí contenidos no tienen valor contractual.
- La instalación eléctrica del edificio debe disponer de un interruptor o disyuntor. Este debe encontrarse cerca del dispositivo, en un lugar al que el usuario pueda acceder con facilidad. Además, debe llevar el mismo marcado que el interruptor del dispositivo (IEC/EN/BS 61010-1 § 6.11.3.1).
- Limpiar el dispositivo con un trapo suave; no utilizar productos abrasivos, detergentes líquidos ni disolventes.



UPOZORNĚNÍ

- Návod se pozorně pročtěte, než začnete regulátor instalovat a používat.
- Tato zařízení smí instalovat kvalifikovaní pracovníci v souladu s platnými předpisy a normami pro předcházení úrazu osob či poškození věcí.
- Před jakýmkoli zásahem do přístroje odpojte měřicí a napájecí vstupy od napětí a zkratujte transformátory proudu.
- Výrobce nenese odpovědnost za elektrickou bezpečnost v případě nevhodného používání regulátoru.
- Výrobky popsané v tomto dokumentu mohou kdykoli projít úpravami či dalším vývojem. Popisy a údaje uvedené v katalogu nemají proto žádnou smluvní hodnotu.
- Spínač či odpojovač je nutno zabudovat do elektrického rozvodu v budově. Musejí být nainstalované v těsné blízkosti přístroje a snadno dostupné pracovníku obsluhy. Je nutno ho označit jako vypínací zařízení přístroje: IEC/EN/BS 61010-1 § 6.11.3.1.
- Přístroj čistěte měkkou utěrkou, nepoužívejte abrazivní produkty, tekutá čistidla či rozpouštědla.



AVERTIZARE!

- Citiți cu atenție manualul înainte de instalare sau utilizare.
- Acest echipament va fi instalat de personal calificat, în conformitate cu standardele actuale, pentru a evita deteriorări sau pericolele.
- Înainte de efectuarea oricărei operațiuni de întreținere asupra dispozitivului, îndeplățiți toate tensiunile de la intrările de măsurare și de alimentare și scurtcircuitați bornele de intrare CT.
- Producătorul nu poate fi considerat responsabil pentru siguranța electrică în caz de utilizare incorectă a echipamentului.
- Produsele ilustrate în prezentul sunt supuse modificărilor și schimbărilor fără notificare anterioară. Datele tehnice și descrierile din documentație sunt precise, în măsura cunoștințelor noastre, dar nu se acceptă nicio răspundere pentru erorile, omisiunile sau evenimentele neprevăzute care apar ca urmare a acestora.
- Trebuie inclus un disjunctiv în instalația electrică a clădirii. Acesta trebuie instalat aproape de echipament și într-o zonă ușor accesibilă operatorului. Acesta trebuie marcat ca fiind dispozitivul de deconectare al echipamentului: IEC/EN/BS 61010-1 § 6.11.3.1.
- Curățați instrumentul cu un material textil moale și uscat; nu utilizați substanțe abrazive, detergenți lichizi sau solvenți.



ATTENZIONE!

- Leggere attentamente il manuale prima dell'utilizzo e l'installazione.
- Questi apparecchi devono essere installati da personale qualificato, nel rispetto delle vigenti normative impiantistiche, allo scopo di evitare danni a persone o cose.
- Prima di qualsiasi intervento sullo strumento, togliere tensione dagli ingressi di misura e di alimentazione e cortocircuitare i trasformatori di corrente.
- Il costruttore non si assume responsabilità in merito alla sicurezza elettrica in caso di utilizzo improprio del dispositivo.
- I prodotti descritti in questo documento sono suscettibili in qualsiasi momento di evoluzioni o di modifiche. Le descrizioni ed i dati a catalogo non possono pertanto avere alcun valore contrattuale.
- Un interruttore o disgiuntore va compreso nell'impianto elettrico dell'edificio. Esso deve trovarsi in stretta vicinanza dell'apparecchio ed essere facilmente raggiungibile da parte dell'operatore. Deve essere marchiato come il dispositivo di interruzione dell'apparecchio: IEC/EN/BS 61010-1 § 6.11.3.1.
- Pulire l'apparecchio con panno morbido, non usare prodotti abrasivi, detergenti liquidi o solventi.



UWAGA!

- Przed użyciem i instalacją urządzenia należy uważnie przeczytać niniejszą instrukcję.
- W celu uniknięcia obrażeń osób lub uszkodzenia mienia tego typu urządzenia muszą być instalowane przez wykwalifikowany personel, zgodnie z obowiązującymi przepisami.
- Przed rozpoczęciem jakichkolwiek prac na urządzeniu należy odłączyć napięcie od wejść pomiarowych i zasilania oraz zewrzeć zaciski przekładnika prądowego.
- Producent nie przyjmuje na siebie odpowiedzialności za bezpieczeństwo elektryczne w przypadku niewłaściwego użytkowania urządzenia.
- Produkty opisane w niniejszym dokumencie mogą być w każdej chwili udoskonalone lub zmodyfikowane. Opisy oraz dane katalogowe nie mogą mieć w związku z tym żadnej wartości umownej.
- W instalacji elektrycznej budynku należy uwzględnić przełącznik lub wyłącznik automatyczny. Powinien on znajdować się w bliskim sąsiedztwie urządzenia i być łatwo osiągalny przez operatora. Musi być oznaczony jako urządzenie służące do wyłączenia urządzenia: IEC/EN/BS 61010-1 § 6.11.3.1.
- Urządzenie należy czyścić miękką szmatką, nie stosować środków ściernych, płynnych detergentów lub rozpuszczalników.



警告!

- 安装或使用前，请仔细阅读本手册。
- 本设备只能由合格人员根据现行标准进行安装，以避免造成损坏或安全危害。
- 对设备进行任何维护操作前，请移除测量输入端和电源输入端的所有电压，并短接 CT 输入端。
- 制造商不负责因设备使用不当导致的电气安全问题。
- 此处说明的产品可能会有变更，恕不提前通知。我们竭力确保本文件中技术数据和说明的准确性，但对于错误、遗漏或由此产生的意外事件概不负责。
- 建筑电气系统中必须装有断路器。断路器必须安装在靠近设备且方便操作人员触及的地方。必须将断路器标记为设备的断开装置：IEC/EN/BS 61010-1 § 6.11.3.1
- 请使用柔软的干布清洁设备；切勿使用研磨剂、洗涤剂或溶剂。



ПРЕДУПРЕЖДЕНИЕ!

- Прежде чем приступать к монтажу или эксплуатации устройства, внимательно ознакомьтесь с содержанием настоящего руководства.
- Во избежание травм или материального ущерба монтаж должен осуществляться только квалифицированным персоналом в соответствии с действующими нормативами.
- Перед проведением любых работ по техническому обслуживанию устройства необходимо обеспечить все измерительные и питающие входные контакты, а также замкнуть накоротко входные контакты трансформатора тока (ТТ).
- Производитель не несет ответственность за обеспечение электробезопасности в случае ненадлежащего использования устройства.
- Изделия, описанные в настоящем документе, в любой момент могут подвергнуться изменениям или усовершенствованиям. Поэтому каталожные данные и описания не могут рассматриваться как действительные с точки зрения контрактов.
- Электрическая сеть здания должна быть оснащена автоматическим выключателем, который должен быть расположен вблизи оборудования в пределах доступа оператора. Автоматический выключатель должен быть промаркирован как отключающее устройство оборудования: IEC/EN/BS 61010-1 § 6.11.3.1.
- Очистку устройства производить с помощью мягкой сухой ткани, без применения абразивных материалов, жидких мощных средств или растворителей.



DIKKATI!

- Montaj ve kullanımdan önce bu el kitabını dikkatlice okuyunuz.
- Bu aparatlar kişilere veya nesnelere zarar verme ihtimaline karşı yürürlükte olan sistem kuma normlarına göre kalifiye personel tarafından monte edilmelidir.
- Aparata (çihaz) herhangi bir müdahalede bulunmadan önce ölçüm girişlerindeki genilimi kesip akım transformatorlerinede kısa devre yaptırınız.
- Üretici aparatın hatalı kullanımından kaynaklanan elektriksel güvenliği ait sorumluluk kabul etmez.
- Bu dokümanda tarif edilen ürünler her an evrimlere veya değişimlere açıktır. Bu sebeple katalogdaki tarif ve değerler herhangi bir bağlayıcı değeri haiz değildir.
- Binanın elektrik sisteminde bir anahtar veya şalter bulunmalıdır. Bu anahtar veya şalter operatörün kolaylıkla ulaşabileceği yakın bir yerde olmalıdır. Aparat (çihaz) devreden çıkartma görevi yapan bu anahtar veya şalterin markası: IEC/EN/BS 61010-1 § 6.11.3.1.
- Aparat (çihaz) sıvı deterjan veya solvent kullanarak yumuşak bir bez ile siliniz aşındırıcı temizlik ürünleri kullanmayınız.



UPOZORENJE!

- Prije instalacije ili korištenja uređaja, pažljivo pročitate upute.
- Ovaj uređaj mora instalirati, u skladu s važećim normama, obučena osoba kako bi se izbjegle štete ili sigurnosne opasnosti.
- Prije bilo kakvog zahvata na uređaju otpojite napajanje s mjernih i napajajućih ulaza i kratko spojite ulazne stezaljke strujnog transformatora.
- Produđač ne snosi odgovornost za električnu sigurnost u slučaju nepravilnog korištenja opreme.
- Ovdje prikazan uređaj predmet je stalnog usavršavanja i promjena bez prethodne najave. Tehnički podaci i opisi u ovim uputama su točni, ali ne preuzimamo odgovornost za moguće izmjene nenamjerne greške.
- U električnu instalaciju zgrade mora biti instaliran prekidač. On mora biti instaliran blizu uređaja i na dohvata ruke operatera, te označen kao rastavljač u skladu s normom IEC/EN/BS 61010-1 § 6.11.3.1
- Uređaj čistite s mekom, suhom krpom bez primjene abraziva, tekućina, otapala ili deterdženta.



CONTENTS	Page
Introduction	2
Description	2
Front status LEDs	3
IR programming port	3
Parameter setting from PC	3
Parameter setting from smartphone or tablet with CX02 Wi-Fi device	3
Parameter setting from smartphone or tablet with NFC	3
Parameter table	4
Alarms	5
Description of the alarms	5
Programmable inputs default settings	5
Installation	5
Recommendations	6
Connection diagrams	6
Wiring dimensions	8
Terminal layout	9
Power ratings	9
Power dissipation	9
Recommended fuses	9
Technical characteristics	10

INTRODUCTION

The DCTL series of thyristor modules is intended to be used in power factor correction panels where a fast compensation is required due to a very fast variation of the inductive load. They are normally controlled by a fast power factor controller like LOVATO DCRG8-DCRG8F series controllers, even though they are compatible with any type of fast compensation controller.

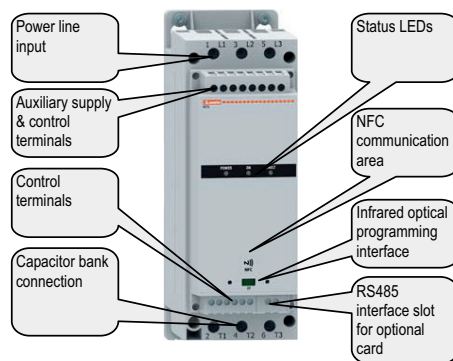
Thanks to their unique feature of having built-in current monitoring, they can detect abnormal situations occurring on the capacitor steps, signalling the problem and protecting the bank whenever possible. It is also possible to monitor the step residual kvar power with dedicated measurement and alarms.

DCTL can operate with RS485 serial communication. In this case the connection to the DCRG8F controller can be done through a 485 bus, and it is possible to exchange data like temperatures, step power, alarms etc and to show them on the DCRG8F display and/or on the remote supervision system.

The thyristor module does not require any particular programming when used with standard features. If the user wants to enable any special function like customized protections, this can be done by means of the built-in infrared port and/or NFC communication using the same hardware and software tools used for other LOVATO devices (CX01/CX02 devices, Xpress software, LOVATO SAM1 App or LOVATO NFC App).

DESCRIPTION

- 3 status LEDs (for the signalling of presence of power, operating and fault).
- 2-phase controlled switching.
- Monitoring of the current flowing into the capacitor bank through built-in current transformers.
- 3 different mechanical sizes and 5 electrical ratings for three-phase capacitor banks from 7.5 up to 100kvar.
- Rated line voltage:
 - 400 VAC (IEC and cULus) for DCTLA400...
 - 400...480 VAC (IEC and cULus) for DCTLA480...
 - 600...690 VAC (IEC), 600VAC (cULus) for DCTLA690...
- Thermostatically controlled cooling fan, with dedicated diagnostics (fan disconnected or jammed).
- Can be installed both vertically and horizontally.
- Separated switch-on command inputs for both static contact or from voltage control output.
- Changeover relay output for global alarm or for the command of an external fan.
- Separated auxiliary supply.
- Double power terminals for mechanical sizes 1 and 2.
- Integrated electronic thermal protection.
- Internal analogue temperature sensor to protect the thyristors.
- Optional external temperature sensor to protect the capacitor bank and/or detuning reactors.
- Advanced self-diagnostics.
- NFC interface for programming with smart devices (smartphone or tablet).
- Front-mounted optical interface for programming and maintenance.
- Isolated optional RS485 interface (mounted in a dedicated slot) with Modbus protocol for connection with DCRG8F controller.
- Compatible with the LOVATO SAM1 App, LOVATO NFC App, Synergy supervision software and Xpress remote control and configuration software.
- Optional accessories for DIN rail mounting (for mechanical sizes 1 and 2).



FRONT STATUS LEDS

- POWER LED (green, flashing)** – Auxiliary supply present.
- ON LED (green, steady)** – Thyristor switch active.
- FAULT LED (red, flashing)** – Alarm active. The number of flashes identifies the type of active alarm (e.g. 3 flashes = alarm A03). For details see chapter Alarms.

IR PROGRAMMING PORT

- The DCTL's parameters can be configured via the front optical port, using the IR-USB CX01 programming device or the IR-Wi-Fi CX02 device.
- Simply approach a CX... device to the front port and insert the plugs in the specific holds to obtain the mutual recognition of the devices as indicated by the green LINK LED on the programming device.
- Both devices can be used in combination with the the Xpress remote control and configuration software, downloadable from the website www.LovatoElectric.com.
- The Wi-Fi CX02 device can also be used in combination with the LOVATO SAM1 App for smartphones and tablets Android and iOS based.



USB CX01 device

Wi-Fi CX02 device

PARAMETER SETTING FROM PC

- With the LOVATO Electric Xpress remote control and configuration software is possible to read and modify the parameters of DCTL and save them on a file on the hard disk of the PC, or alternatively you can upload a parameters file from the PC and download it into the DCTL thyristor module.
- The connection between DCTL and PC can be made via the front optical port with USB device CX01 or Wi-Fi device CX02.
- In addition to the parameters setting, with the software Xpress you can also monitor the measures of DCTL.



PARAMETER SETTING FROM SMARTPHONE OR TABLET WITH CX02 WI-FI DEVICE

- You can use the LOVATO SAM1 App, available for Android and iOS smart devices (smartphone and tablet) and the CX02 Wi-Fi device to connect to the DCTL via its front optical port.
- The App can be used to view alarms, send commands, read measurements, set parameters, download events and send collected data via e-mail.



QR code for the download of the LOVATO SAM1 App from Google Play and Apple Store:



PARAMETER SETTING FROM SMARTPHONE OR TABLET WITH NFC

- You can use the LOVATO NFC App, available for Android and iOS smart devices (smartphone and tablet), to program the parameters in a simple, intuitive manner, without the need for cables, and even with the DCTL powered off.
- Simply place the smart device against the DCTL's front panel to read or transfer the programmed parameters.
- Conditions for operation:
 - The smart device must have the NFC function activated and must be unlocked (active).
 - The DCTL, if it is powered on, must be in idle (OFF) state.
 - If you have set a password (see parameter P03.02), it must be known, otherwise access will not be possible.
 - We recommend having the App already installed on your smart device. If it is not, you can still go to the next step, you will be automatically guided to the installation site on the online store.
 - Place the smart device against the DCTL's front panel, more or less as shown in the figure and hold it in position (for a few seconds) until it beeps. The App will launch automatically and the parameters will be loaded and displayed.
 - Access to the parameters menu and editing are just the same as for the other Apps we have considered previously. Once you have made the modification, press Send and place the smart device against the DCTL's front panel once more. The parameters will be transferred and activated after the DCTL is reset.



QRcode for the download of the LOVATO NFC App from Google Play and App Store:



PARAMETERS TABLE

– The available sub-menus are shown in the following table:

Code	MENU	DESCRIPTION
M01	GENERAL	Capacitor bank characteristics
M02	PROTECTIONS	Protections thresholds configuration
M03	PASSWORD	Password management

M01 – GENERAL				
Cod.	Description	UoM	Default	Range
P01.01	Capacitor bank rated power	kvar	(DCTL power size) 7.5 kvar 9.0 kvar 15.0 kvar 18.0 kvar 30.0 kvar 36.0 kvar 50.0 kvar 60.0 kvar 100.0 kvar 120.0 kvar	50...120% of DCTL power
P01.02	Capacitor bank rated voltage	VAC	(DCTL voltage size) 400 480 600	(DCTL voltage size) 380...400 380...480 380...690
P01.03	Capacitor bank current	A	AUT	(DCTL power size) AUT / 5.5 ... 13.0 AUT / 11.0 ... 26.0 AUT / 15.0 ... 35.0 AUT / 22.0 ... 52.0 AUT / 24.0 ... 58.0 AUT / 36.0 ... 87.0 AUT / 48.0 ... 116.0 AUT / 72.0 ... 174.0
P01.04	Step number for serial communication control	Nr.	OFF	OFF / 1...32
P01.05	Programmable relay function		Global alarm	Global alarm Fan control
P01.06	Relay state		Normally not excited	Normally not excited Normally excited

P01.01 – Capacitor bank rated power, including de-tuning in case reactors are used. This value is the power the DCTL... expects to measure when working voltage is the rated set with parameter P01.02. This parameter is needed when the user wants to monitor the residual step power and trigger an alarm whenever it falls below a set threshold (see P02.08).

P01.02 – Rated voltage of the capacitor bank. It is needed for the overvoltage protection alarm and to automatically calculate the expected current if the setting of following parameter is left to AUT.

P01.03 – Rated current of the capacitor bank. If left to AUT, the current will be automatically calculated using the previous two settings. Otherwise, the user can specify the rated expected current for the capacitor bank. This setting will be used for the overcurrent protection alarm.

P01.04 – This parameter is to set the step number (node address) when the switching control of the DCTL... is made through RS485 serial communication from a DCRG8F controller with optional card EXC1042. Note. The value set in P01.04 must be equal to the correspondent step number set on the DCRG8F controller (e.g. If the DCTL... is associated to the step number 3 of DCRG8F controller, set P01.04=3). For more details see the technical manual of DCRG8F controller (instruction I564).

P01.05 – Defines the function of the changeover programmable relay. **Global alarm** = relay energized in normal conditions, de-energized when an alarm is active. – **Fan control** = relay energized when the heatsink temperature is rising. Activation of the relay follows the activation of internal fan.

P01.06 – Normal status of the relay output. Allows to reverse the logic of the output function. Available from firmware version 2.

M02 – PROTECTIONS				
Cod.	Description	UoM	Default	Range
P02.01	Max current threshold	% In	120	OFF / 100...150
P02.02	Max voltage threshold	% Un	OFF	OFF / 100...150
P02.03	Max heatsink temperature	°C	80	50...85
P02.04	Max capacitor temperature (from external NTC)	°C	OFF	OFF/ 50...80
P02.05	Max THDI threshold	%	OFF	OFF / 5...100
P02.06	Current asymmetry threshold	%	50	5...100
P02.07	Current protections delay	cyc	5	2...250
P02.08	Minimum capacitor step residual power	%	OFF	OFF / 20...100

P02.01 – Current threshold that controls the tripping of alarm *A05 Current too high*, referred to the rated current specified by P01.03 and after a delay equal to the number of mains periods specified by P02.07.

P02.02 – Voltage threshold that controls the tripping of alarm *A09 Voltage too high*, referred to the rated voltage specified by P01.02.

P02.03 – Temperature threshold that controls the tripping of alarm *A01 Heatsink overtemperature*.

P02.04 – Temperature threshold that controls the tripping of alarm *A02 External sensor overtemperature*.

P02.05 – THDI percentage threshold that controls the tripping of alarm *A06 THDI too high*.

P02.06 – Current asymmetry percentage threshold that controls the tripping of alarm *A07 Current asymmetry* after a delay equal to the number of mains periods specified by P02.07.

P02.07 – Number of consecutive mains periods used as a delay after which the current protections trip.

P02.08 – When measured step reactive power falls below this percentage threshold (referred to rated power defined by P01.01) alarm *A08 Capacitor bank power too low* trips.

M03 – PASSWORD				
Cod.	Description	UoM	Default	Range
P03.01	Password enable		OFF	OFF ON
P03.02	Advanced password		2000	0000...9999

P03.01 – Enables parameter protection by password.

P03.02 – Defines the password for parameter setting access

NOTE : it is present a current protection not excludable and not configurable fixed at 180% of the maximum current admitted by the thyristor module, with fixed delay of 100 mains periods.

ALARMS

- When an alarm occurs, the red FAULT LED on the front panel will blink for as long as an alarm is active. The number of flashes identifies the type of active alarm (e.g. 1 flash = A01 alarm, 2 flashes = A02 alarm, 3 flashes = A03 alarm, etc...). The meaning of the alarm is described in the following tables.
- By default, most of the protections are set to OFF (see setup menu M02). If the user wants to enable them, he has to set the parameter accordingly.
- Some of the alarms will stop thyristor switch operation (it will remain disconnected regardless of command input status), while others will be shown but DCTL will keep on operating.
- The reset of the alarm is automatic (except for internal system errors). It may take place either immediately after the alarm conditions have disappeared or after a period of time. See alarms table.
- If one or more alarms occur, the behaviour of the DCTL... will depend on the active alarms properties shown in the alarm table.
- If DCTL is connected to a DCRG8F controller by means of RS485 interface, then the status of the alarm will be shown on the controller display.

Cod.	Description	SWITCH OFF	RELAY ON	LED ON	RESET MODE
A01	Heatsink overtemperature	●	●	●	AUT
A02	External sensor overtemperature	●	●	●	AUT
A03	Cooling fan failure		●	●	AUT
A04	Temperature sensor failure	●	●	●	AUT
A05	Current too high	●	●	●	1min
A06	THDI too high	●	●	●	1min
A07	Current asymmetry	●	●	●	1min
A08	Capacitor bank power too low		●	●	AUT
A09	Line voltage too high	●	●	●	AUT
A10	Line voltage not present	●	●	●	AUT
A11	Communication timeout	●	●	●	AUT
A12	System error	●	●	●	PWR

DESCRIPTION OF THE ALARMS

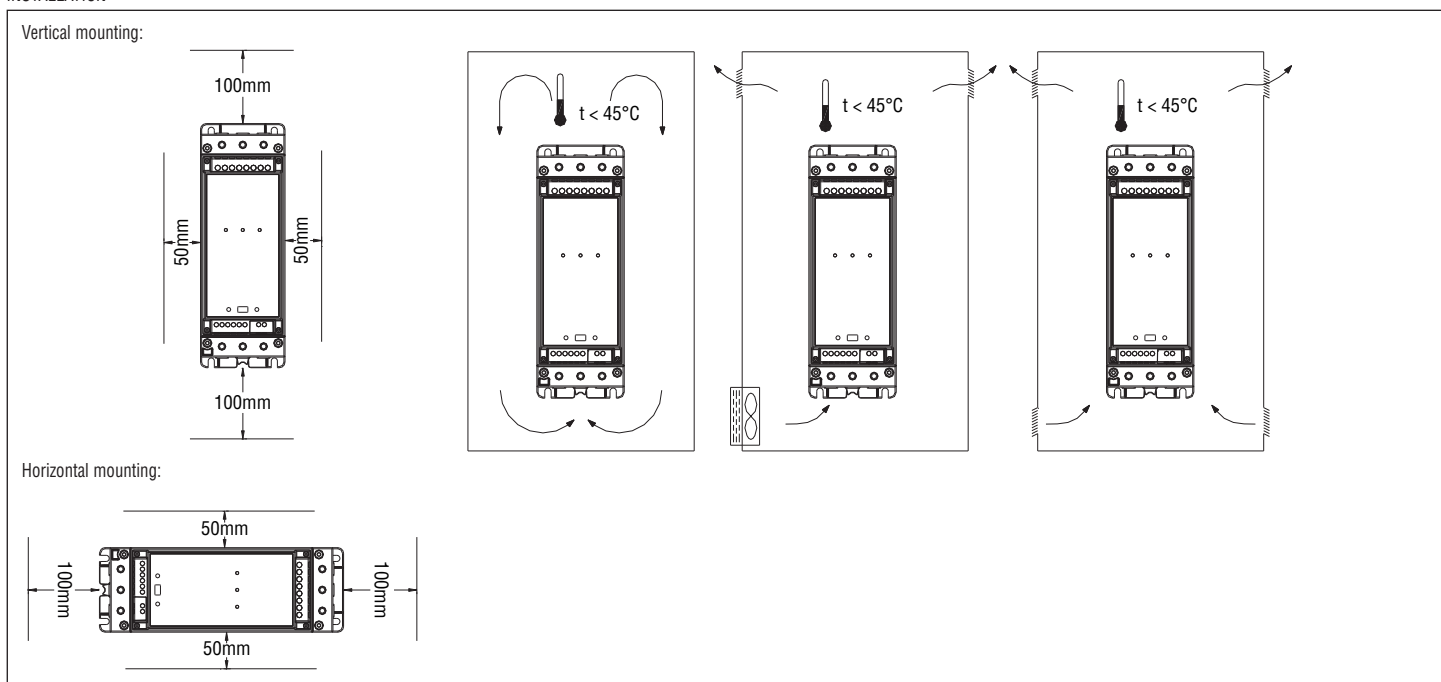
CODE	DESCRIPTION	REASON FOR THE ALARM
A01	Heatsink overtemperature	The temperature of the heatsink has risen above the maximum allowed. Check air circulation inside the panel (clean filters and check cooling fan).
A02	External sensor overtemperature	The temperature read by external NTC sensor has risen above the value set in parameter P02.04.
A03	Cooling fan failure	The integrated cooling fan is not working properly, either not connected (not drawing current) or jammed (too high current). Check fan wiring and functioning. Replace fan if necessary (use EXP80 04 accessory only).
A04	Temperature sensor failure	The internal heatsink temperature sensor is not working properly. Contact Technical support.
A05	Current too high	This alarm may be triggered by the following conditions: - Current flowing in the capacitor bank is higher than maximum value set in parameter P02.01. - Current flowing in the DCTL is higher than maximum allowed by hardware for 100 mains cycles.
A06	THDI too high	THD of the current flowing in the capacitor bank is higher than maximum value set in parameter P02.05.
A07	Current asymmetry	Currents flowing in the capacitor bank are too asymmetric. Check for blown fuse or capacitor damage or wiring.
A08	Capacitor bank power too low	Residual power of the capacitor bank has dropped below the minimum threshold set in parameter P02.08.
A09	Line voltage too high	Line voltage higher than maximum threshold set in parameter P02.02.
A10	Line voltage not present	Power voltage not present when firing command given.
A11	Communication timeout	Communication with DCRG8F is not working properly. Check communication settings and/or wiring.
A12	System error	Internal system error. Contact Technical support.

PROGRAMMABLE INPUTS DEFAULT SETTINGS

- The following table gives the factory default settings for the programmable output.
- If necessary, the function of the programmable output can be changed with parameter P01.05.

OUTPUT	TERMINALS	DEFAULT FUNCTION	POSSIBLE FUNCTIONS
OUT1	11-14-12	Global alarm	Global alarm External fan control

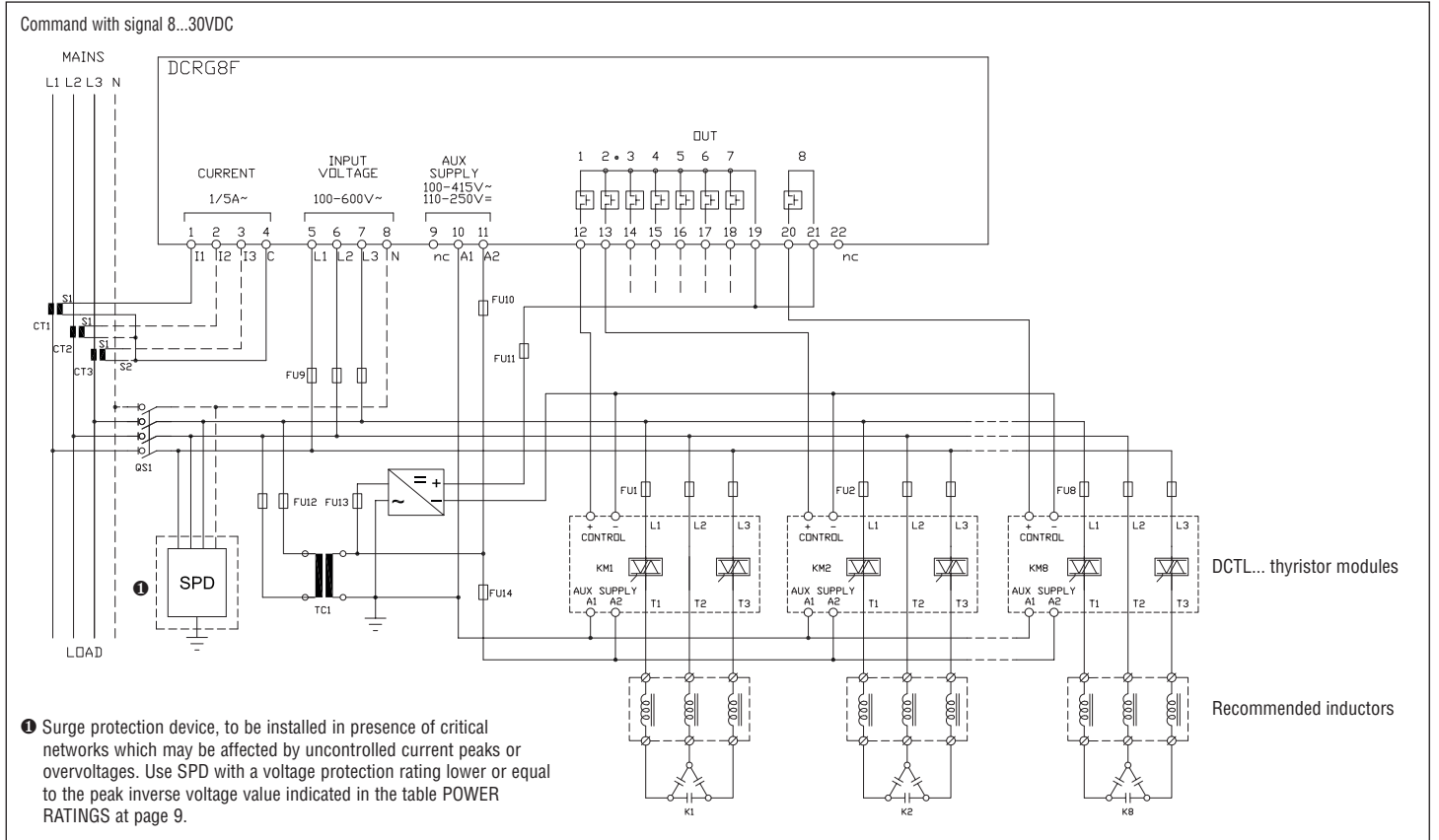
INSTALLATION



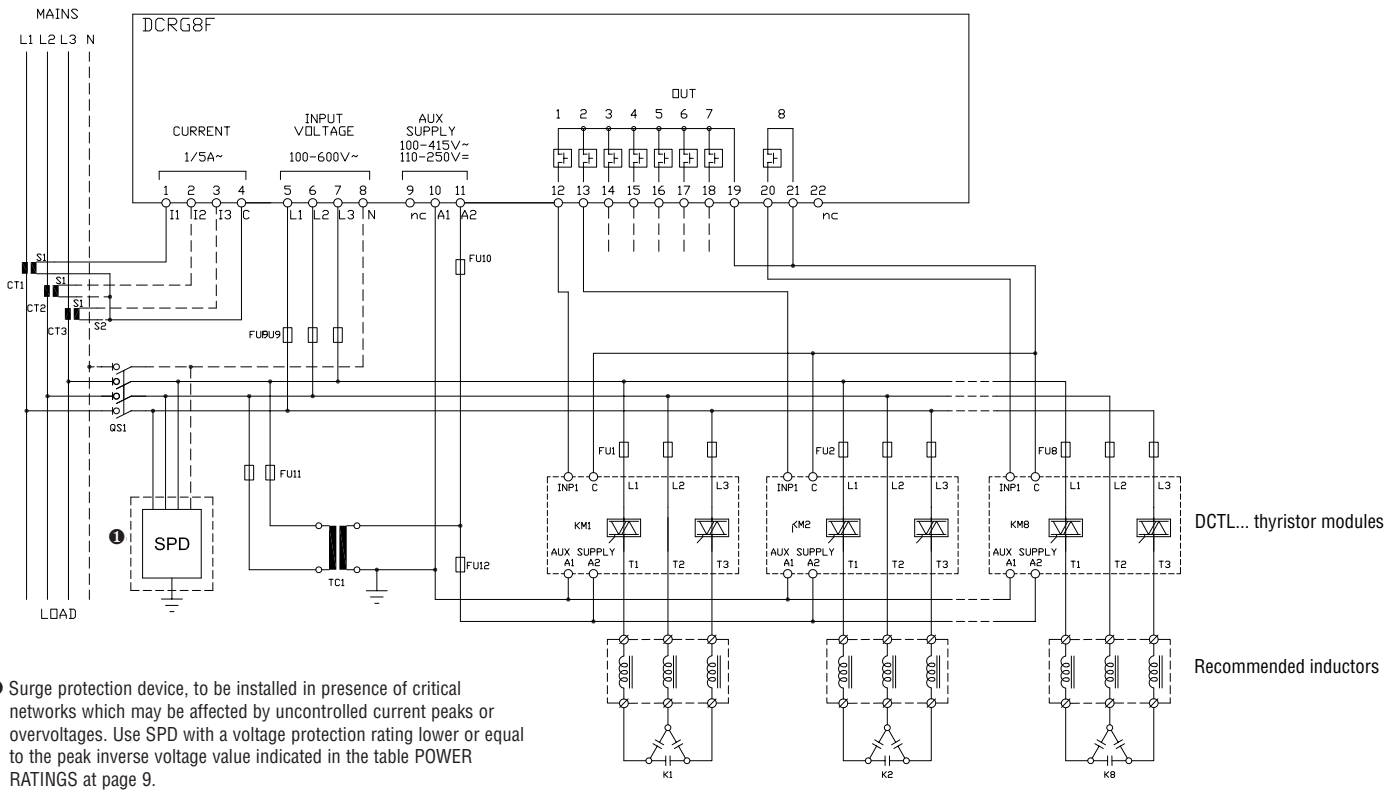
RECOMMENDATIONS

- Switch off power to the thyristor module every time you need to work on the electrical or mechanical equipment of the system or machine.
- A disconnecting device, such as switch disconnector, line contactor, etc. must always be included to cut off the power supply.
- Do not install the thyristor module in areas containing flammable gas or explosives.
- Do not place the thyristor module close to sources of heat.
- Do not use an insulating enclosure since they are poor heat conductors.
- You can protect the SCR's properly against short circuit only by using ultra-rapid fuses.
- In presence of networks which may be subjected to the risk of uncontrolled overvoltages or current peaks, provide adequate measures for the protection of the thyristors (e.g. SPD, surge protection devices). Use SPD with a voltage protection rating lower or equal to the Peak Inverse Voltage value indicated in the table "Power ratings" at page 9.
- Since there are ongoing conditions of DC voltage in disconnected capacitors which are equal to the peak of mains voltage, the discharging devices must be rated correctly. In practice, this means that discharging resistors cannot be used since the constant DC voltage would destroy them. In these circumstances, it is recommended to use discharging resistors suitable for permanent connection to DC voltage to match the voltage peak of the mains voltage at capacitor switch off. Resistors need to be dimensioned so that the capacitors are discharged in the required time after disconnecting them from the mains.
- Thyristor modules can be used to switch capacitors in 3-phase systems, in chocked and unchoked capacitor banks. It is important to keep in mind in unchoked capacitor banks that the modules can be destroyed by current transients caused by fast voltage fluctuations. Also in chocked bank, it is imperative to control that the current values do not exceed the maximum current rating of each module.
- Thyristor modules switch without inrush current and provide smooth disconnection and high switching frequency guaranteed by the firing unit. Usage of this equipment is needed when rapid switching capacitors at high rate.
- Thyristor modules do not electrically separate circuits. Suitable arrangements for the separation from the power system are necessary. The lines are to be protected according to electrical regulations.
- The thyristor voltage can reach a value double the mains voltage caused by the capacitor charge so especially when non-choked capacitors are used, high current can occur due to voltage transients. Furthermore short circuits in the grid are supplied by the discharging currents of the capacitors and these current can seriously damage the thyristor modules! It is therefore recommended to protect the modules with fuses to avoid such critical conditions. A combination of gL class fuses for the line and gR class types for the modules must be installed for protection. The use of gRL class fuses is also admissible.

WIRING DIAGRAMS

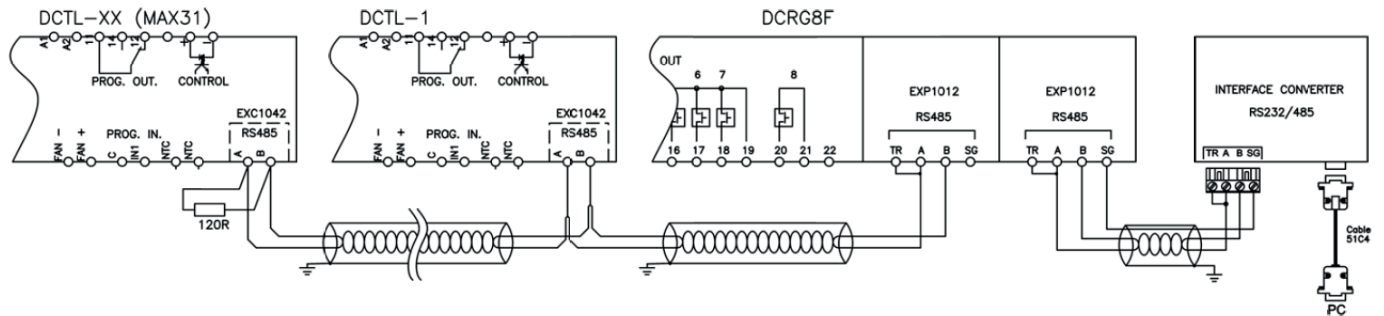


Command with dry contact



! Surge protection device, to be installed in presence of critical networks which may be affected by uncontrolled current peaks or overvoltages. Use SPD with a voltage protection rating lower or equal to the peak inverse voltage value indicated in the table POWER RATINGS at page 9.

Command via RS485 serial communication from DCRG8F controller

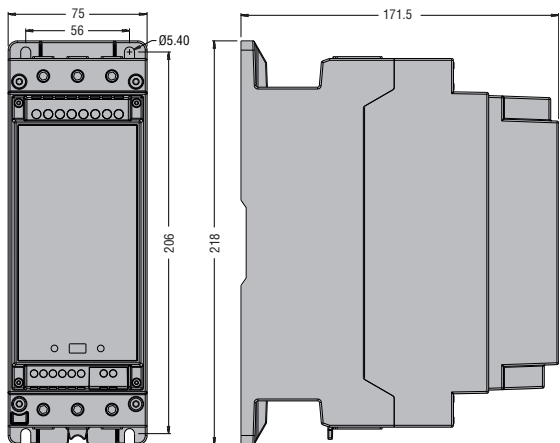


REQUIREMENTS

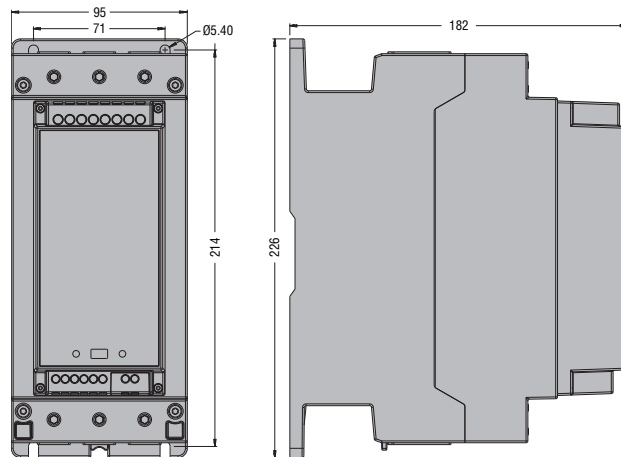
- The DCRG8F controller must be equipped with the optional RS485 communication module code EXP1012
- Each DCTL... thyristor module must be equipped with the optional RS485 communication card code EXC1042.
- With this configuration is possible to monitor from the display of DCRG8F controller the status and the measures of each DCTL... thyristor module.
- For information about the programming refer to the technical manual of DCRG8F (instruction I564), downloadable from the website www.LovatoElectric.com.
- Note. The EXP1012 mounted on DCRG8F controller is dedicated for the command of DCTL... thyristor modules. If necessary to connect the DCRG8F controller to a supervision system (e.g. a PC) is necessary to add another communication expansion module, at choice between the codes compatible with DCRG8F (in the wiring diagram above is shown as example another RS485 module EXP1012).

MECHANICAL DIMENSIONS [mm]

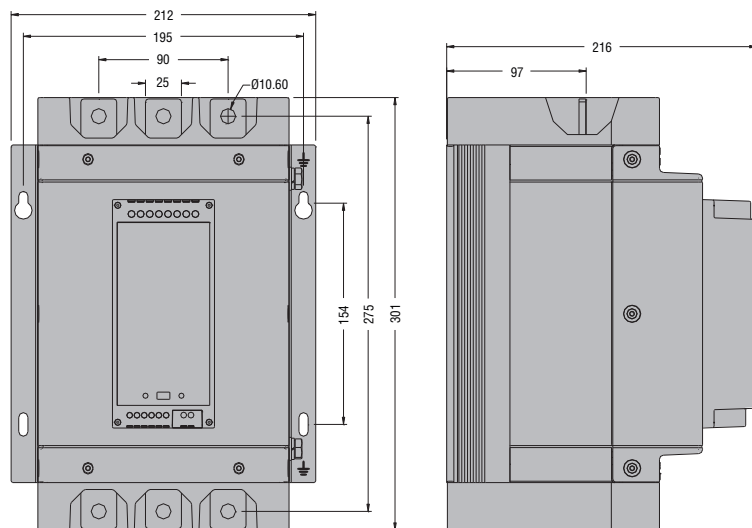
SIZE 1:
DCTLA4000075 - DCTLA4000150 - DCTLA4000300
DCTLA4800090 - DCTLA4800180 - DCTLA4800360



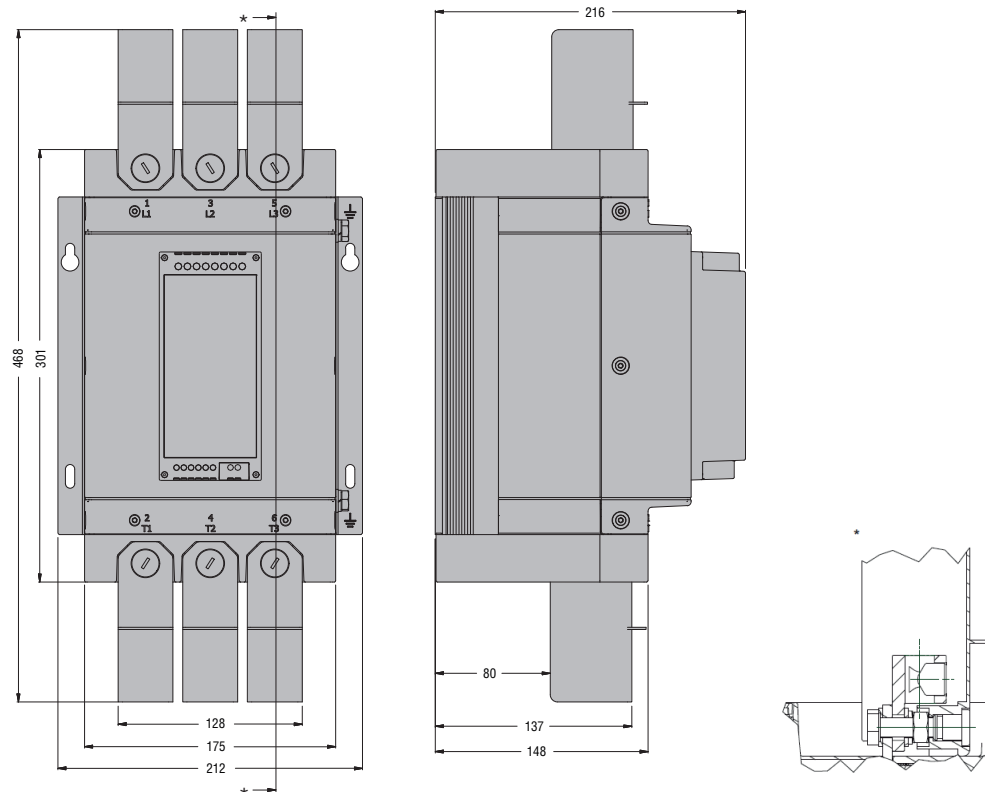
SIZE 2:
DCTLA4000500 - DCTLA4800600 - DCTLA6900300 - DCTLA6900500

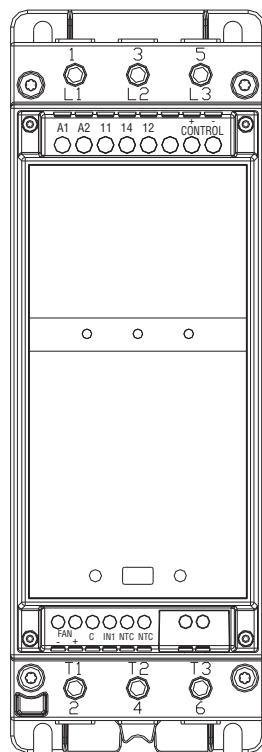


SIZE 3:
DCTLA4001000 - DCTLA4801200 - DCTLA6901000



DCTLA4001000 - DCTLA4801200 - DCTLA6901000 complete with terminal lugs kit for cULus EXA01 (2pcs) and terminals shrouds kit EXA02 (2pcs).





POWER RATINGS

Code	DCTLA 400 0075	DCTLA 400 0150	DCTLA 400 0300	DCTLA 400 0500	DCTLA 400 1000	DCTLA 480 0090	DCTLA 480 0180	DCTLA 480 0360	DCTLA 480 0600	DCTLA 480 1200	DCTLA 690 0300	DCTLA 690 0500	DCTLA 690 1000
Rated operating voltage U_s	400VAC 50/60Hz					400...480VAC 50/60Hz					600...690VAC 50/60Hz		
Rated current I_e	11A	22A	43A	72A	144A	11A	22A	43A	72A	144A	29A	48A	96A
Step power													
400VAC	7.5kvar	15kvar	30kvar	50kvar	100kvar	7.5kvar	15kvar	30kvar	50kvar	100kvar	20kvar	33kvar	67kvar
440VAC	-	-	-	-	-	8kvar	16.5kvar	33kvar	55kvar	110kvar	22kvar	37kvar	73kvar
480VAC	-	-	-	-	-	9kvar	18kvar	36kvar	60kvar	120kvar	24kvar	40kvar	80kvar
525VAC	-	-	-	-	-	-	-	-	-	-	26kvar	44kvar	87kvar
600VAC	-	-	-	-	-	-	-	-	-	-	30kvar	50kvar	100kvar
690VAC	-	-	-	-	-	-	-	-	-	-	30kvar	50kvar	100kvar
Peak inverse voltage	1800VAC					2200VAC					3600VAC		

Note. The rated operating voltage of the three versions according to IEC and cULus standards are respectively:

- DCTLA400: 400VAC for IEC and cULus
- DCTLA480: 400...480VAC for IEC and cULus
- DCTLA690: 600...690VAC for IEC, 600VAC for cULus.

POWER DISSIPATION

Code	Rated current [A]	Power dissipation [W]
DCTLA4000075	11	22
DCTLA4000150	22	44
DCTLA4000300	43	86
DCTLA4000500	72	144
DCTLA4001000	144	288
DCTLA4800090	11	22
DCTLA4800180	22	44
DCTLA4800360	43	86
DCTLA4800600	72	144
DCTLA4801200	144	288
DCTLA6900300	29	58
DCTLA6900500	48	96
DCTLA6901000	96	192

RECOMMENDED FUSES

U_n	Code	Type 2 coordination Fuse type aR [A]	Type 1 coordination Fuse type gL [A]
400V	DCTLA4000075	20	16
	DCTLA4000150	40	32
	DCTLA4000300	80	63
	DCTLA4000500	125	100
	DCTLA4001000	250	200
400-480V	DCTLA4800090	20	16
	DCTLA4800180	40	32
	DCTLA4800360	80	63
	DCTLA4800600	125	100
	DCTLA4801200	250	200
600-690V	DCTLA6900300	50	40
	DCTLA6900500	80	63
	DCTLA6901000	160	125

TECHNICAL CHARACTERISTICS

Auxiliary supply: terminals A1-A2

Us rated voltage	100 - 240VAC
Operating range	90 - 264VAC
Frequency	45 - 66 Hz
Drawn/dissipated power	Size 1 100-240VAC 4,6W 11,8VA Size 2 100-240VAC 5,8W 14,1VA Size 3 100-240VAC 5,8W 14,1VA

Capacitor bank supply voltage: terminals L1 – L2 – L3

Us rated voltage	400VAC for DCTLA400... 400...480VAC for DCTLA480... 600...690VAC for DCTLA690...
Operating range	340...440VAC for DCTLA400... 340...528VAC for DCTLA480... 340...759VAC for DCTLA690...
Frequency range	45-65Hz
Rated current and power	(see table POWER RATINGS)

Control input: terminals CONTROL +/-

Us rated voltage	12-24VDC
Operating range	8...30VDC

Digital input: terminals C - IN1

Input type	Negative
Applied voltage at contact	5VDC (provided by DCTL)
Input current	≤10mA
Low input signal	≤0,8V
High input signal	≥3,2V
Input signal delay	≥50ms

NTC probe input: terminals NTC - NTC

Type of sensor	NTC (LOVATO Electric code NTC01)
Measuring range	-25...+85°C
Maximum connection length	3mt

Fan power supply: terminals FAN + / -

Voltage supply	5VDC (provided by DCTL) Don't apply any voltage on the terminals FAN +/-!
Fan type	The fans are integrated as standard (one on mechanical size 1, two on size 2 and 3). In case of replacement use exclusively EXP8004 accessory

Output OUT1: terminals 11-12-14

Contact type	1 NO/NC changeover contact
Operating voltage	250VAC
Rating	NO contact AC1 5A-250VAC 5A 30VDC NC contact AC1 3A-250VAC 3A 30VDC
UL use data	D300
Maximum usage voltage	250VAC
Electrical life	NC contact – 10x10 ³ operations NO contact – 20x10 ³ operations
Mechanical life	10 ⁷ operations

Insulation voltage

Rated insulation voltage Ui	480VAC for DCTLA400... and DCTLA480... 690VAC for DCTLA690...
Rated impulse withstand voltage Uimp	4kV for DCTLA400... and DCTLA480... 6kV for DCTLA690...

Ambient operating conditions

Operating temperature	-20...+45°C without derating
Storage temperature	-30...+80°C
Relative humidity	<80% (IEC/EN/BS 60068-2-78)
Pollution degree	2
Overvoltage category	III
Maximum altitude	2000m without derating
Climate sequence	Z/ABDM (IEC/EN/BS 60068-2-61)
Shock resistance	15g (IEC/EN/BS 60068-2-27)
Vibration resistance	0.7g (IEC/EN/BS 60068-2-6)

Connections - relay

Terminal types	Screw-type (fixed)
Wire cross-section (min and max)	0.2...4mm ² (26...10 AWG)
Tightening torque	0.8Nm (7 lb.in)
Type of conductor	Use copper conductors only, 75°C

Connections – fan and digital inputs

Terminal types	Screw-type (fixed)
Wire cross-section (min and max)	0.2 - 2.5mm ² (24 - 12 AWG)
Tightening torque	0.44Nm (4 lb.in)
Type of conductor	Use copper conductors only, 75°C

Power connections for DCTL size 1 and 2

Terminal types	Fixed – double lock clamp
Wire cross-section (min and max)	2 x 2,5-35mm ² 2 x 18-2 AWG
Imprint	Hexagon socket head screw 4mm
Tightening torque for DCTLA4000075... DCTLA4000300, DCTLA4800090... DCTLA4800360	4-5Nm / 2.95-3.69 lb.ft

Tightening torque for DCTLA4000500, DCTLA4800600, DCTLA6900300, DCTLA6900500	5.5-6.5Nm / 4.06-4.79 lb.ft
--	-----------------------------

Type of conductor	Use copper conductors only, 75°C
-------------------	----------------------------------

Power connections for DCTL size 3

Type of bars	25x5mm, hole diam. 11mm
Type of conductor	Use copper conductors only, 75°C
Conductor section	Max. 50mm ² 1xAWG3/0 (for cULus compliance you must install n°2 lugs kit code EXA01 + n°2 terminal shrouds kit code EXA02)
Imprint	Socket wrench 17mm

Tightening torque for DCTLA4001000, DCTLA4801200, DCTLA6901000	35Nm / 310 in-lbs
--	-------------------

Tightening torque for lugs EXA01	42Nm / 375 in-lbs
----------------------------------	-------------------

Housing

Installation	Internal panel version
Material	Polycarbonate RAL 7035
Degree of protection	IP00
Mounting	Screw fixing or DIN-rail (IEC/EN/BS 60715) via optional accessory EXP8003 (only for mechanical sizes 1 and 2)

Weight	
DCTLA4000075, DCTLA4000150, DCTLA4000300, DCTLA4800090, DCTLA4800180, DCTLA4800360	1.74kg
DCTLA4000500, DCTLA4800600, DCTLA6900300, DCTLA6900500	2.84kg
DCTLA4001000, DCTLA4801200, DCTLA6901000	6.68kg

Approvals and conformity

Approvals	cULus
Conformity to standards	IEC/EN/BS 60947-4-3, IEC/EN/BS 61000-6-2, IEC/EN/BS 61000-6-4

LOVATO ELECTRIC S.P.A.

24020 GORLE (BERGAMO) ITALIA
VIA DON E. MAZZA, 12
TEL. 035 4282111
E-mail info@LovatoElectric.com
Web www.LovatoElectric.com



MODULI A TIRISTORI

Manuale operativo

DCTL...



WARNING!

- Carefully read the manual before the installation or use.
- This equipment is to be installed by qualified personnel, complying to current standards, to avoid damages or safety hazards.
- Before any maintenance operation on the device, remove all the voltages from measuring and supply inputs and short-circuit the CT input terminals.
- The manufacturer cannot be held responsible for electrical safety in case of improper use of the equipment.
- Products illustrated herein are subject to alteration and changes without prior notice. Technical data and descriptions in the documentation are accurate, to the best of our knowledge, but no liabilities for errors, omissions or contingencies arising there from are accepted.
- A circuit breaker must be included in the electrical installation of the building. It must be installed close by the equipment and within easy reach of the operator. It must be marked as the disconnecting device of the equipment: IEC/EN/BS 61010-1 § 6.11.3.1.
- Clean the device with a soft dry cloth; do not use abrasives, liquid detergents or solvents.



ATTENTION !

- Lire attentivement le manuel avant toute utilisation et installation.
- Ces appareils doivent être installés par un personnel qualifié, conformément aux normes en vigueur en matière d'installations, afin d'éviter de causer des dommages à des personnes ou choses.
- Avant toute intervention sur l'instrument, mettre les entrées de mesure et d'alimentation hors tension et court-circuiter les transformateurs de courant.
- Le constructeur n'assume aucune responsabilité quant à la sécurité électrique en cas d'utilisation impropre du dispositif.
- Les produits décrits dans ce document sont susceptibles d'évoluer ou de subir des modifications à n'importe quel moment. Les descriptions et caractéristiques techniques du catalogue ne peuvent donc avoir aucune valeur contractuelle.
- Un interrupteur ou disjoncteur doit être inclus dans l'installation électrique du bâtiment. Celui-ci doit se trouver tout près de l'appareil et l'opérateur doit pouvoir y accéder facilement. Il doit être marqué comme le dispositif d'interruption de l'appareil : IEC/EN/BS 61010-1 § 6.11.3.1.
- Nettoyer l'appareil avec un chiffon doux, ne pas utiliser de produits abrasifs, détergents liquides ou solvants.



ACHTUNG!

- Dieses Handbuch vor Gebrauch und Installation aufmerksam lesen.
- Zur Vermeidung von Personen- und Sachschäden dürfen diese Geräte nur von qualifiziertem Fachpersonal und unter Befolgung der einschlägigen Vorschriften installiert werden.
- Vor jedem Eingriff am Instrument die Spannungszufuhr zu den Messeingängen trennen und die Stromwandler kurzschließen.
- Bei zweckwidrigem Gebrauch der Vorrichtung übernimmt der Hersteller keine Haftung für die elektrische Sicherheit.
- Die in dieser Broschüre beschriebenen Produkte können jederzeit weiterentwickelt und geändert werden. Die im Katalog enthaltenen Beschreibungen und Daten sind daher unverbindlich und ohne Gewähr.
- In die elektrische Anlage des Gebäudes ist ein Ausschalter oder Trennschalter einzubauen. Dieser muss sich in unmittelbarer Nähe des Geräts befinden und vom Bediener leicht zugänglich sein. Er muss als Trennvorrichtung für das Gerät gekennzeichnet sein: IEC/EN/BS 61010-1 § 6.11.3.1.
- Das Gerät mit einem weichen Tuch reinigen, keine Scheuermittel, Flüssigreinerer oder Lösungsmittel verwenden.



ADVERTENCIA

- Leer atentamente el manual antes de instalar y utilizar el regulador.
- Este dispositivo debe ser instalado por personal cualificado conforme a la normativa de instalación vigente a fin de evitar daños personales o materiales.
- Antes de realizar cualquier operación en el dispositivo, desconectar la corriente de las entradas de alimentación y medida, y cortocircuitar los transformadores de corriente.
- El fabricante no se responsabilizará de la seguridad eléctrica en caso de que el dispositivo no se utilice de forma adecuada.
- Los productos descritos en este documento se pueden actualizar o modificar en cualquier momento. Por consiguiente, las descripciones y los datos técnicos aquí contenidos no tienen valor contractual.
- La instalación eléctrica del edificio debe disponer de un interruptor o disyuntor. Este debe encontrarse cerca del dispositivo, en un lugar al que el usuario pueda acceder con facilidad. Además, debe llevar el mismo marcado que el interruptor del dispositivo (IEC/EN/BS 61010-1 § 6.11.3.1).
- Limpiar el dispositivo con un trapo suave; no utilizar productos abrasivos, detergentes líquidos ni disolventes.



UPOZORNĚNÍ

- Návod se pozorně pročtěte, než začnete regulátor instalovat a používat.
- Tato zařízení smí instalovat kvalifikovaní pracovníci v souladu s platnými předpisy a normami pro předcházení úrazu osob či poškození věcí.
- Před jakýmkoli zásahem do přístroje odpojte měřicí a napájecí vstupy od napětí a zkratujte transformátory proudu.
- Výrobce nenese odpovědnost za elektrickou bezpečnost v případě nevhodného používání regulátoru.
- Výrobky popsané v tomto dokumentu mohou kdykoli projít úpravami či dalším vývojem. Popisy a údaje uvedené v katalogu nemají proto žádnou smluvní hodnotu.
- Spínač či odpojovač je nutno zabudovat do elektrického rozvodu v budově. Musejí být nainstalované v těsné blízkosti přístroje a snadno dostupné pracovníku obsluhy. Je nutno ho označit jako vypínací zařízení přístroje: IEC/EN/BS 61010-1 § 6.11.3.1.
- Přístroj čistěte měkkou utěrkou, nepoužívejte abrazivní produkty, tekutá čistidla či rozpouštědla.



AVERTIZARE!

- Citiți cu atenție manualul înainte de instalare sau utilizare.
- Acest echipament va fi instalat de personal calificat, în conformitate cu standardele actuale, pentru a evita deteriorări sau pericolele.
- Înainte de efectuarea oricărei operațiuni de întreținere asupra dispozitivului, îndeplățiți toate tensiunile de la intrările de măsurare și de alimentare și scurtcircuitați bornele de intrare CT.
- Producătorul nu poate fi considerat responsabil pentru siguranța electrică în caz de utilizare incorectă a echipamentului.
- Produsele ilustrate în prezentul sunt supuse modificărilor și schimbărilor fără notificare anterioară. Datele tehnice și descrierile din documentație sunt precise, în măsura cunoștințelor noastre, dar nu se acceptă nicio răspundere pentru erorile, omisiunile sau evenimentele neprevăzute care apar ca urmare a acestora.
- Trebuie inclus un disjunctiv în instalația electrică a clădirii. Acesta trebuie instalat aproape de echipament și într-o zonă ușor accesibilă operatorului. Acesta trebuie marcat ca fiind dispozitivul de deconectare al echipamentului: IEC/EN/BS 61010-1 § 6.11.3.1.
- Curățați instrumentul cu un material textil moale și uscat; nu utilizați substanțe abrazive, detergenți lichizi sau solvenți.



ATTENZIONE!

- Leggere attentamente il manuale prima dell'utilizzo e l'installazione.
- Questi apparecchi devono essere installati da personale qualificato, nel rispetto delle vigenti normative impiantistiche, allo scopo di evitare danni a persone o cose.
- Prima di qualsiasi intervento sullo strumento, togliere tensione dagli ingressi di misura e di alimentazione e cortocircuitare i trasformatori di corrente.
- Il costruttore non si assume responsabilità in merito alla sicurezza elettrica in caso di utilizzo improprio del dispositivo.
- I prodotti descritti in questo documento sono suscettibili in qualsiasi momento di evoluzioni o di modifiche. Le descrizioni ed i dati a catalogo non possono pertanto avere alcun valore contrattuale.
- Un interruttore o disgiuntore va compreso nell'impianto elettrico dell'edificio. Esso deve trovarsi in stretta vicinanza dell'apparecchio ed essere facilmente raggiungibile da parte dell'operatore. Deve essere marchiato come il dispositivo di interruzione dell'apparecchio: IEC/EN/BS 61010-1 § 6.11.3.1.
- Pulire l'apparecchio con panno morbido, non usare prodotti abrasivi, detergenti liquidi o solventi.



UWAGA!

- Przed użyciem i instalacją urządzenia należy uważnie przeczytać niniejszą instrukcję.
- W celu uniknięcia obrażeń osób lub uszkodzenia mienia tego typu urządzenia muszą być instalowane przez wykwalifikowany personel, zgodnie z obowiązującymi przepisami.
- Przed rozpoczęciem jakichkolwiek prac na urządzeniu należy odłączyć napięcie od wejść pomiarowych i zasilania oraz zewrzeć zaciski przekładnika prądowego.
- Producent nie przyjmuje na siebie odpowiedzialności za bezpieczeństwo elektryczne w przypadku niewłaściwego użytkowania urządzenia.
- Produkty opisane w niniejszym dokumencie mogą być w każdej chwili udoskonalone lub zmodyfikowane. Opisy oraz dane katalogowe nie mogą mieć w związku z tym żadnej wartości umownej.
- W instalacji elektrycznej budynku należy uwzględnić przełącznik lub wyłącznik automatyczny. Powinien on znajdować się w bliskim sąsiedztwie urządzenia i być łatwo osiągalny przez operatora. Musi być oznaczony jako urządzenie służące do wyłączenia urządzenia: IEC/EN/BS 61010-1 § 6.11.3.1.
- Urządzenie należy czyścić miękką szmatką, nie stosować środków ściernych, płynnych detergentów lub rozpuszczalników.



警告!

- 安装或使用前，请仔细阅读本手册。
- 本设备只能由合格人员根据现行标准进行安装，以避免造成损坏或安全危害。
- 对设备进行任何维护操作前，请移除测量输入端和电源输入端的所有电压，并短接 CT 输入端。
- 制造商不负责因设备使用不当导致的电气安全问题。
- 此处说明的产品可能会有变更，恕不提前通知。我们竭力确保本文件中技术数据和说明的准确性，但对于错误、遗漏或由此产生的意外事件概不负责。
- 建筑电气系统中必须装有断路器。断路器必须安装在靠近设备且方便操作人员触及的地方。必须将断路器标记为设备的断开装置：IEC/EN/BS 61010-1 § 6.11.3.1
- 请使用柔软的干布清洁设备；切勿使用研磨剂、洗涤剂或溶剂。



ПРЕДУПРЕЖДЕНИЕ!

- Прежде чем приступать к монтажу или эксплуатации устройства, внимательно ознакомьтесь с содержанием настоящего руководства.
- Во избежание травм или материального ущерба монтаж должен осуществляться только квалифицированным персоналом в соответствии с действующими нормативами.
- Перед проведением любых работ по техническому обслуживанию устройства необходимо обесточить все измерительные и питающие входные контакты, а также замкнуть накоротко входные контакты трансформатора тока (ТТ).
- Производитель не несет ответственность за обеспечение электробезопасности в случае ненадлежащего использования устройства.
- Изделия, описанные в настоящем документе, в любой момент могут подвергнуться изменениям или усовершенствованиям. Поэтому каталожные данные и описания не могут рассматриваться как действительные с точки зрения контрактов.
- Электрическая сеть здания должна быть оснащена автоматическим выключателем, который должен быть расположен вблизи оборудования в пределах доступа оператора. Автоматический выключатель должен быть промаркирован как отключающее устройство оборудования: IEC/EN/BS 61010-1 § 6.11.3.1.
- Очистку устройства производить с помощью мягкой сухой ткани, без применения абразивных материалов, жидких мощных средств или растворителей.



DIKKATI!

- Montaj ve kullanımdan önce bu el kitabını dikkatlice okuyunuz.
- Bu aparatlar kişilere veya nesnelere zarar verme ihtimaline karşı yürürlükte olan sistem kuma normlarına göre kalifiye personel tarafından monte edilmelidir.
- Aparata (çihaz) herhangi bir müdahalede bulunmadan önce ölçüm girişlerindeki genilimi kesip akım transformatorlerinede kısa devre yaptırınız.
- Üretici aparatın hatalı kullanımından kaynaklanan elektriksel güvenliği ait sorumluluk kabul etmez.
- Bu dokümanda tarif edilen ürünler her an evrimlere veya değişimlere açıktır. Bu sebeple katalogdaki tarif ve değerler herhangi bir bağlayıcı değeri haiz değildir.
- Binanın elektrik sisteminde bir anahtar veya şalter bulunmalıdır. Bu anahtar veya şalter operatörün kolaylıkla ulaşabileceği yakın bir yerde olmalıdır. Aparat (çihaz) devreden çıkartma görevi yapan bu anahtar veya şalterin markası: IEC/EN/BS 61010-1 § 6.11.3.1.
- Aparat (çihaz) sıvı deterjan veya solvent kullanarak yumuşak bir bez ile siliniz aşındırıcı temizlik ürünleri kullanmayınız.



UPOZORENJE!

- Prije instalacije ili korištenja uređaja, pažljivo pročitate upute.
- Ovaj uređaj mora instalirati, u skladu s važećim normama, obučena osoba kako bi se izbjegle štete ili sigurnosne opasnosti.
- Prije bilo kakvog zahvata na uređaju otpojite napajanje s mjernih i napajajućih ulaza i kratko spojite ulazne stezaljke strujnog transformatora.
- Produđač ne snosi odgovornost za električnu sigurnost u slučaju nepravilnog korištenja opreme.
- Ovdje prikazan uređaj predmet je stalnog usavršavanja i promjena bez prethodne najave. Tehnički podaci i opisi u ovim uputama su točni, ali ne preuzimamo odgovornost za moguće izmjene nenamjerne greške.
- U električnu instalaciju zgrade mora biti instaliran prekidač. On mora biti instaliran blizu uređaja i na dohvata ruke operatera, te označen kao rastavljač u skladu s normom IEC/EN/BS 61010-1 § 6.11.3.1
- Uredaj čistite s mekom, suhom krpom bez primjene abraziva, tekućina, otapala ili deterdženta.



	Pagina
INDICE	
Introduzione	12
Descrizione	12
LED di stato frontali	13
Porta di programmazione IR	13
Impostazione parametri da PC	13
Impostazione parametri da smartphone o tablet tramite dispositivo Wi-Fi CX02	13
Impostazione parametri da smartphone o tablet con NFC	13
Tabella parametri	14
Allarmi	15
Descrizione degli allarmi	15
Configurazione di default dell'uscita programmabile	15
Installazione	15
Raccomandazioni	16
Schemi Elettrici	16
Dimensioni meccaniche	18
Disposizione morsetti	19
Potenze nominali	19
Potenza dissipata	19
Fusibili raccomandati	19
Caratteristiche tecniche	20

INTRODUZIONE

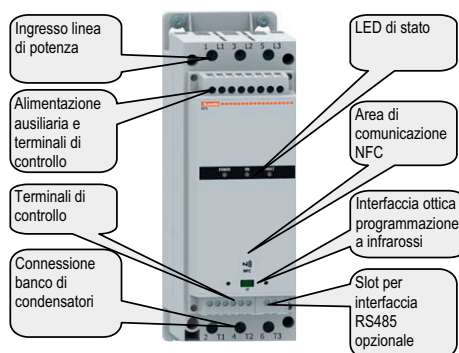
I moduli a tiristori serie DCTL sono destinati all'utilizzo in quadri di rifasamento dove è necessaria una rapida compensazione del fattore di potenza a causa di variazioni molto veloci del carico induttivo. Vengono solitamente comandati da regolatori di rifasamento automatici come i modelli LOVATO DCRG8-DCRG8F, ma sono compatibili con qualsiasi tipo di regolatore di rifasamento dinamico (fast).

Grazie alla funzione integrata di monitoraggio della corrente, vero punto di forza che rende unica questa serie, sono in grado di rilevare condizioni anomale che si verificano sui gradini a condensatori, segnalando il problema e proteggendo il banco ogni qualvolta possibile. È inoltre possibile monitorare individualmente la potenza residua in kvar del banco di condensatori con misure e allarmi dedicati. I DCTL... possono lavorare anche tramite comunicazione seriale RS485. In questo caso la connessione tra il controllore DCRG8F viene fatta tramite un bus 485, ed è possibile scambiare dati come temperature, potenza dei gradini, allarmi, ecc... e mostrarli sul display del regolatore DCRG8F.

I moduli a tiristori serie DCTL non richiedono alcuna particolare programmazione quando utilizzati con le caratteristiche standard. Se l'utente vuole abilitare funzioni speciali, come ad esempio la configurazione di protezioni personalizzate, lo può fare tramite la porta ottica a infrarossi integrata e/o tramite connettività NFC utilizzando gli stessi strumenti hardware e software utilizzati per gli altri dispositivi LOVATO Electric (connettori CX01/CX02, software Xpress, App LOVATO SAM1 o App LOVATO NFC).

DESCRIZIONE

- 3 LED di stato (per segnalazione presenza di alimentazione, comando attivo, intervento di una protezione).
- 2 fasi controllate.
- Monitoraggio della corrente che fluisce nel banco di condensatori tramite trasformatori di corrente integrati.
- 3 differenti taglie meccaniche e 5 taglie elettriche per banchi di condensatori trifase da 7.5 a 100kvar.
- Tensione di impiego nominale:
 - 400 VAC (IEC e cULus) per DCTLA400...
 - 400...480 VAC (IEC e cULus) per DCTLA480...
 - 600...690 VAC (IEC), 600VAC (cULus) per DCTLA690...
- Ventola di raffreddamento controllata termostaticamente, con diagnostica dedicata (rilevamento ventola disconnessa o bloccata).
- Possibilità di essere installati in posizione verticale o orizzontale.
- Ingressi di comando attivazione separati per comando da contatto pulito o da uscita in tensione.
- Uscita a relè con contatto in scambio per segnalazione allarme globale.
- Alimentazione ausiliaria separata.
- Connessioni di potenza con morsetto doppio a vite e per taglie meccaniche 1 e 2.
- Protezione termica elettronica integrata.
- Sensore di temperatura analogico interno per proteggere i tiristori.
- Sensore di temperatura esterno opzionale per proteggere il banco di condensatori e/o induttanze filtro.
- Auto-diagnostica avanzata.
- Connettività NFC per programmazione tramite smart devices (smartphone e tablet).
- Interfaccia ottica frontale per programmazione e manutenzione.
- Interfaccia RS485 isolata (opzionale, montata in slot dedicato) con protocollo di comunicazione Modbus per connessione a regolatore DCRG8F.
- Compatibilità con App LOVATO SAM1, App LOVATO NFC, software di supervisione Synergy e software di configurazione e controllo remoto Xpress.
- Accessorio opzionale per fissaggio su guida DIN (per taglie meccaniche 1 e 2).



LED DI STATO FRONTALI

LED POWER (verde, lampeggiante) – Presenza alimentazione ausiliaria.

LED ON (verde, fisso) – Modulo a tiristori attivo.

LED FAULT (rosso, lampeggiante) – Allarme attivo. Il numero di lampeggi identifica la tipologia di allarme attivo (es. 3 lampeggi = allarme A03). Per dettagli vedere il capitolo Allarmi.

PORTA DI PROGRAMMAZIONE IR

- I parametri dei DCTL possono essere configurati tramite la porta ottica frontale, utilizzando i dispositivi di comunicazione IR-USB codice CX01 o il dispositivo IR-Wi-Fi codice CX02.
- Semplicemente avvicinando un dispositivo CX... alla porta ottica frontale del DCTL ed inserendo le spine negli appositi fori, si otterrà il vicendevole riconoscimento dei dispositivi, evidenziato dal colore verde del LED LINK sul dispositivo di comunicazione CX...
- Entrambi i dispositivi CX01 e CX02 possono essere utilizzati per la connessione del DCTL al software di programmazione Xpress, scaricabile dal sito www.LovatoElectric.com.
- Tramite il dispositivo Wi-Fi CX02 è possibile inoltre connettersi all'App LOVATO SAM1 da smartphone o tablet con sistema operativo Android o iOS.



IMPOSTAZIONE PARAMETRI DA PC

- Con il software di configurazione e controllo remoto LOVATO Electric Xpress è possibile leggere e modificare i parametri del DCTL e salvarli su un file sul disco del PC, oppure scaricare i parametri salvati su un file su PC all'interno del DCTL.
- Il collegamento tra DCTL e PC può essere fatto tramite la porta ottica frontale con i dispositivi di comunicazione USB cod. CX01 o Wi-Fi cod. CX02.
- Oltre all'impostazione e salvataggio dei parametri del DCTL, dal software Xpress è possibile visualizzazione di misure del DCTL.



IMPOSTAZIONE PARAMETRI DA SMARTPHONE O TABLET TRAMITE DISPOSITIVO WI-FI CX02

- Mediante l'App LOVATO Electric SAM1, disponibile per tablet e smartphone (Android e iOS) e il dispositivo di comunicazione Wi-Fi CX02 è possibile collegarsi al DCTL attraverso la porta ottica frontale.
- L'App permette di visualizzare allarmi, inviare comandi, leggere misure, impostare parametri, scaricare gli eventi, e inviare i dati raccolti via e-mail.



QR code per il download della App LOVATO SAM1 da Google Play e App Store:



IMPOSTAZIONE PARAMETRIC DA SMARTPHONE O TABLET CON NFC

- Mediante l'App LOVATO NFC, disponibile per smartphone e tablet Android e iOS, è possibile accedere alla programmazione dei parametri in un modo semplice ed innovativo, che non ha bisogno di alcun cavo di connessione ed è in grado di operare addirittura con DCTL disalimentato.
- Semplicemente appoggiando uno smart device sul frontale del DCTL è possibile leggere o trasferire la programmazione dei parametri.
- Condizioni per il funzionamento:
 - 1 - Lo smart device deve avere la funzione NFC supportata ed attivata e deve essere sbloccato (attivo).
 - 2 - Il DCTL, se alimentato, non deve essere attivato (comando OFF).
 - 3 - Se è impostata una password avanzata (vedere parametro P03.02), questa deve essere nota, altrimenti l'accesso non sarà possibile.
 - 4 - Si consiglia di avere la App già installata sullo smart device. In caso contrario è comunque possibile proseguire al punto successivo, verrete guidati automaticamente al sito di installazione sullo store online.
 - 5 - Appoggiando lo smart device sul frontale del DCTL, grossomodo nella posizione indicata dalla immagine a lato e tenendolo in posizione per pochi secondi si udirà un beep. La App sarà avviata automaticamente e i parametri verranno letti e visualizzati all'interno della App.
 - 6 - L'accesso ai menu parametri e la loro modifica avviene in modo del tutto identico alle altre App viste precedentemente. Dopo aver effettuato le modifiche volute, premere il tasto Invia e appoggiare di nuovo lo smart device sul frontale del DCTL. I parametri saranno trasferiti e resi operativi dopo il reset del DCTL.



QR code per il download della App LOVATO NFC da Google Play a App Store:



TABELLA PARAMETRI

– I menu disponibili sono elencati nella seguente tabella:

Cod.	MENU	DESCRIZIONE
M01	GENERALE	Caratteristiche del banco di condensatori
M02	PROTEZIONI	Configurazione soglie di protezione
M03	PASSWORD	Gestione password

M01 – GENERALE		UdM	Default	Range
Cod.	Descrizione			
P01.01	Potenza nominale del banco di condensatori	kvar	(taglia del DCTL) 7.5 kvar 9.0 kvar 15.0 kvar 18.0 kvar 30.0 kvar 36.0 kvar 50.0 kvar 60.0 kvar 100.0 kvar 120.0 kvar	50...120% della taglia del DCTL
P01.02	Tensione nominale del banco di condensatori	VAC	(tensione del DCTL) 400 480 600	(tensione del DCTL) 380...400 380...480 380...690
P01.03	Corrente del banco di condensatori	A	AUT	(taglia DCTL) AUT / 5.5 ... 13.0 AUT / 11.0 ... 26.0 AUT / 15.0 ... 35.0 AUT / 22.0 ... 52.0 AUT / 24.0 ... 58.0 AUT / 36.0 ... 87.0 AUT / 48.0 ... 116.0 AUT / 72.0 ... 174.0
P01.04	N° step per controllo da comunicazione seriale	Nr.	OFF	OFF / 1...32
P01.05	Funzione uscita programmabile		Allarme globale	Allarme globale Comando ventola
P01.06	Stato relè		Normal. non eccitato	Normal. non eccitato Normal. eccitato

P01.01 – Potenza nominale del banco di condensatori, incluso il de-tuning in caso di utilizzo di induttanze filtro. Questo valore è la potenza che il DCTL si aspetta di misurare quando la tensione di lavoro è pari alla nominale settata nel parametro P01.02. Questo parametro è necessario quando l'utente vuole monitorare la potenza residua del gradino e attivare un allarme quando questa scende al di sotto di una soglia (vedere parametro P02.08).

P01.02 – Tensione nominale del banco di condensatori. È necessaria per l'allarme di protezione da sovratensione e per calcolare automaticamente la corrente attesa nel caso in cui il settaggio del parametro seguente è impostato su AUT.

P01.03 – Corrente nominale del banco di condensatori. Se lasciato impostato su AUT, la corrente verrà automaticamente calcolata utilizzando i due parametri precedenti. In caso contrario, l'utente può specificare la corrente nominale prevista per il banco di condensatori. Questa impostazione verrà utilizzata per l'allarme di protezione da sovracorrente.

P01.04 – Questo parametro serve per assegnare al gradino un numero (indirizzo del nodo) quando il comando del DCTL è gestito tramite comunicazione seriale RS485 attraverso connessione a regolatore DCRG8F tramite scheda di comunicazione opzionale EXC1042. Nota. Il valore impostato in P01.04 deve essere uguale al numero dello step del regolatore DCRG8F associato a questo specifico DCTL (es. se il DCTL è associato allo step numero 3 del regolatore DCRG8F, impostare P01.04=3). Per dettagli fare riferimento al manuale tecnico del regolatore DCRG8F (istruzione I564).

P01.05 – Selezione la funzione dell'uscita a relè in scambio programmabile. **Allarme globale** = relè eccitato in condizioni normali, diseccitato quando un allarme è attivo. – **Comando ventola** = relè eccitato quando la temperatura del dissipatore sta crescendo. L'attivazione del relè segue l'attivazione della ventola integrata.

P01.06 – Stato a riposo dell'uscita. Permette di invertire la logica di funzionamento dell'uscita. Disponibile da versione firmware 2.

M02 – PROTEZIONI		UdM	Default	Range
Cod.	Descrizione			
P02.01	Soglia di massima corrente	% In	120	OFF / 100...150
P02.02	Soglia di massima tensione	% Un	OFF	OFF / 100...150
P02.03	Temperatura massima del dissipatore	°C	80	50...85
P02.04	Temperatura massima condensatori (da sonda NTC esterna)	°C	OFF	OFF / 50...80
P02.05	Soglia THDI massimo	%	OFF	OFF / 5...100
P02.06	Soglia asimmetria di corrente	%	50	5...100
P02.07	Ritardo protezioni di corrente	cicli	5	2...250
P02.08	Potenza residua minima del gradino di condensatori	%	OFF	OFF / 20...100

P02.01 – Soglia di corrente che controlla l'attivazione dell'allarme *A05 Corrente troppo alta*, riferita alla corrente nominale impostata in P01.03 dopo un ritardo pari al numero di periodi del segnale di rete specificati in P02.07.

P02.02 – Soglia di tensione che controlla l'attivazione dell'allarme *A09 Tensione troppo alta*, riferita alla tensione nominale impostata in P01.02.

P02.03 – Soglia di temperatura che controlla l'attivazione dell'allarme *A01 Sovratemperatura dissipatore*.

P02.04 – Soglia di temperatura che controlla l'attivazione dell'allarme *A02 Sovratemperatura sensore esterno*.

P02.05 – Soglia percentuale di THDI che controlla l'attivazione dell'allarme *A06 THDI troppo alto*.

P02.06 – Soglia percentuale di asimmetria di corrente che controlla l'attivazione dell'allarme *A07 Asimmetria di corrente* dopo un ritardo pari al numero di periodi del segnale di rete specificati in P02.07.

P02.07 – Numero di periodi consecutivi del segnale di rete utilizzato come ritardo per l'attivazione delle protezioni di corrente.

P02.08 – Quando la potenza reattiva del gradino misurata scende al di sotto di questa soglia percentuale (riferita al valore di potenza nominale P01.01) viene generato l'allarme *A08 Potenza del banco di condensatori troppo bassa*.

M03 – PASSWORD		UdM	Default	Range
Cod.	Descrizione			
P03.01	Abilita password		OFF	OFF ON
P03.02	Password avanzata		2000	0000...9999

P03.01 – Abilita la protezione dell'accesso ai parametri tramite password.

P03.02 – Definisce la password per l'accesso ai parametri.

NOTA : è presente un protezione in corrente non escludibile e non regolabile pari al 180% della corrente massima ammissibile dal modulo a tiristori, con ritardo fisso di 100 periodi del segnale di rete.

ALLARMI

- Quando si attiva un allarme, il LED rosso FAULT sul pannello frontale lampeggia fintanto che l'allarme è attivo. Il numero di lampeggi identifica il tipo di allarme attivo (es. 1 lampeggio = allarme A01, 2 lampeggi = allarme A02, e cos' via). Il significato dell'allarme è descritto nelle tabelle sottostanti.
- Di default, la maggior parte delle protezioni sono impostate ad OFF (vedere il menu di configurazione M02). Se l'utente vuole abilitarle, è necessario impostare il relativo parametro.
- Alcuni allarmi provocano l'arresto del funzionamento del modulo a tiristori (rimane disconnesso indipendentemente dallo stato dell'ingresso di comando), mentre altri allarmi vengono segnalati ma il DCTL continua a lavorare.
- Il reset degli allarmi è automatico (ad eccezione degli errori di sistema interni). Il reset può avvenire immediatamente, non appena la condizione di allarme decade, o dopo un periodo di tempo. Per maggiori dettagli fare riferimento alla Tabella degli allarmi.
- Se uno o più allarmi sono attivi, il comportamento del DCTL dipende dalle proprietà degli allarmi riportate nella Tabella degli allarmi.
- Se il DCTL è connesso al regolatore DCRG8F tramite interfaccia RS485 opzionale, lo stato dell'allarme verrà mostrato sul display del regolatore.

Cod.	Descrizione	DCTL OFF	RELE' ON	LED ON	MODO RESET
A01	Sovratemperatura dissipatore	●	●	●	AUT
A02	Sovratemperatura sensore esterno	●	●	●	AUT
A03	Guasto ventola di raffreddamento		●	●	AUT
A04	Guasto sensore di temperatura	●	●	●	AUT
A05	Corrente troppo alta	●	●	●	1min
A06	THDI troppo alto	●	●	●	1min
A07	Asimmetria di corrente	●	●	●	1min
A08	Potenza banco di condensatori troppo bassa		●	●	AUT
A09	Tensione di rete troppo alta	●	●	●	AUT
A10	Tensione di rete non presente	●	●	●	AUT
A11	Timeout comunicazione	●	●	●	AUT
A12	Errore di sistema	●	●	●	PWR

DESCRIZIONE DEGLI ALLARMI

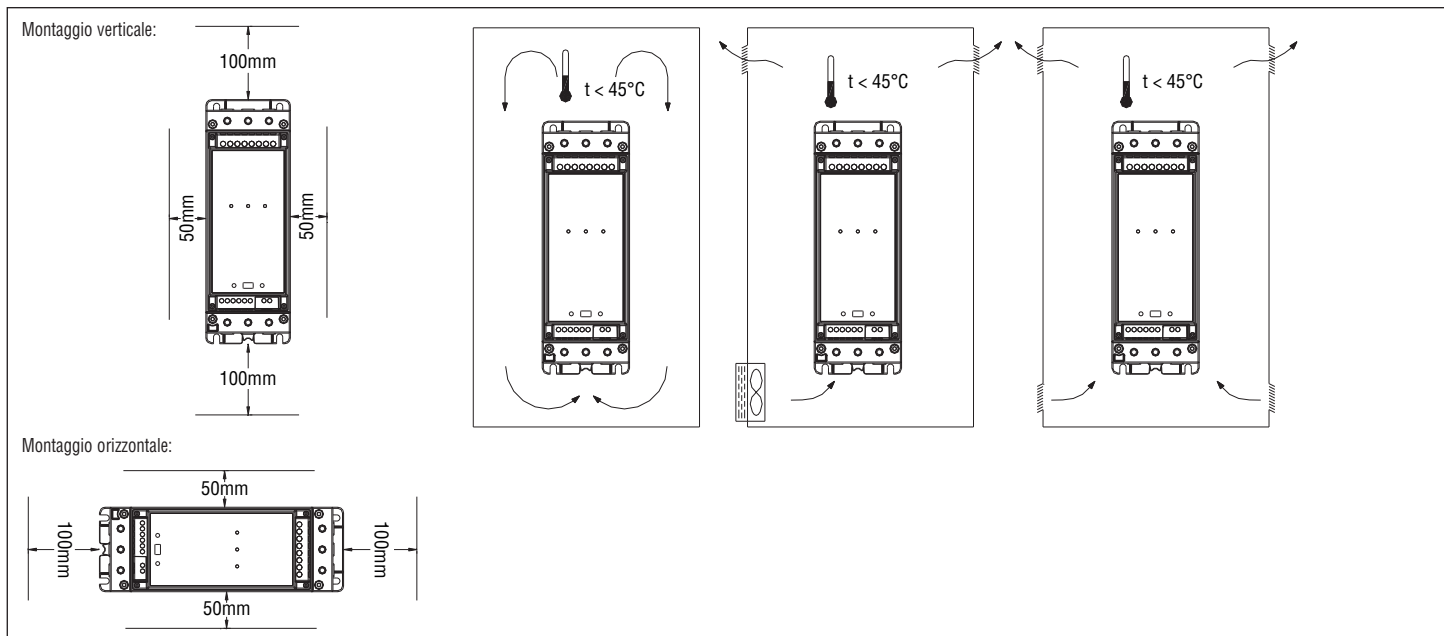
COD.	DESCRIZIONE	MOTIVAZIONE ALLARME
A01	Sovratemperatura dissipatore	La temperatura del dissipatore ha superato il limite massimo consentito. Verificare la corretta circolazione dell'aria all'interno del quadro (pulire i filtri e verificare lo stato della ventola di raffreddamento).
A02	Sovratemperatura sensore esterno	La temperatura letta dalla sonda NTC esterna ha superato il limite programmato in P02.04.
A03	Guasto ventola di raffreddamento	La ventola di raffreddamento integrata non funziona correttamente, potrebbe non essere connessa (non passa corrente) o bloccata (corrente troppo alta). Verificare il collegamento della ventola e il funzionamento. Se necessario, sostituire la ventola (codice EXP8004).
A04	Guasto sensore di temperatura	Il sensore di temperatura interno del dissipatore non funziona correttamente. Contrattare il Supporto Tecnico.
A05	Corrente troppo alta	Questo allarme può essere generato dalle seguenti condizioni: - La corrente che fluisce nel banco di condensatori è superiore al valore massimo impostato nel parametro P02.01. - La corrente che passa nel DCTL è superiore al limite massimo consentito dall'hardware per 100 cicli del segnale di rete.
A06	THDI troppo alto	Il THD della corrente che scorre nel banco di condensatori è superiore alla soglia massima impostata in P02.05.
A07	Asimmetria di corrente	Le correnti che scorrono nel banco di condensatori sono troppo asimmetriche. Verificare se è bruciato un fusibile o se il condensatore si è danneggiato o il cablaggio.
A08	Potenza banco di condensatori troppo bassa	La potenza residua del banco di condensatori è inferiore alla soglia minima impostata in P02.08.
A09	Tensione di rete troppo alta	La tensione presente sulla linea è superiore alla soglia massima impostata in P02.02.
A10	Tensione di rete non presente	L'alimentazione di potenza non è presente quando viene dato il comando di accensione.
A11	Timeout comunicazione	La comunicazione con DCRG8F non funziona correttamente. Verificare i parametri di comunicazione e/o il cablaggio.
A12	Errore di sistema	Errore di sistema interno. Contrattare il Supporto Tecnico.

CONFIGURAZIONE DI DEFAULT DELL'USCITA PROGRAMMABILE

- La seguente tabella riporta la configurazione di default e le possibili funzioni che possono essere associate all'uscita programmabile.
- Se necessario, la funzione dell'uscita programmabile può essere modificata tramite il parametro P01.05.

USCITA	TERMINALI	FUNZIONE DEFAULT	POSSIBILI FUNZIONI
OUT1	11-14-12	Allarme globale	Allarme globale Comando ventola esterna

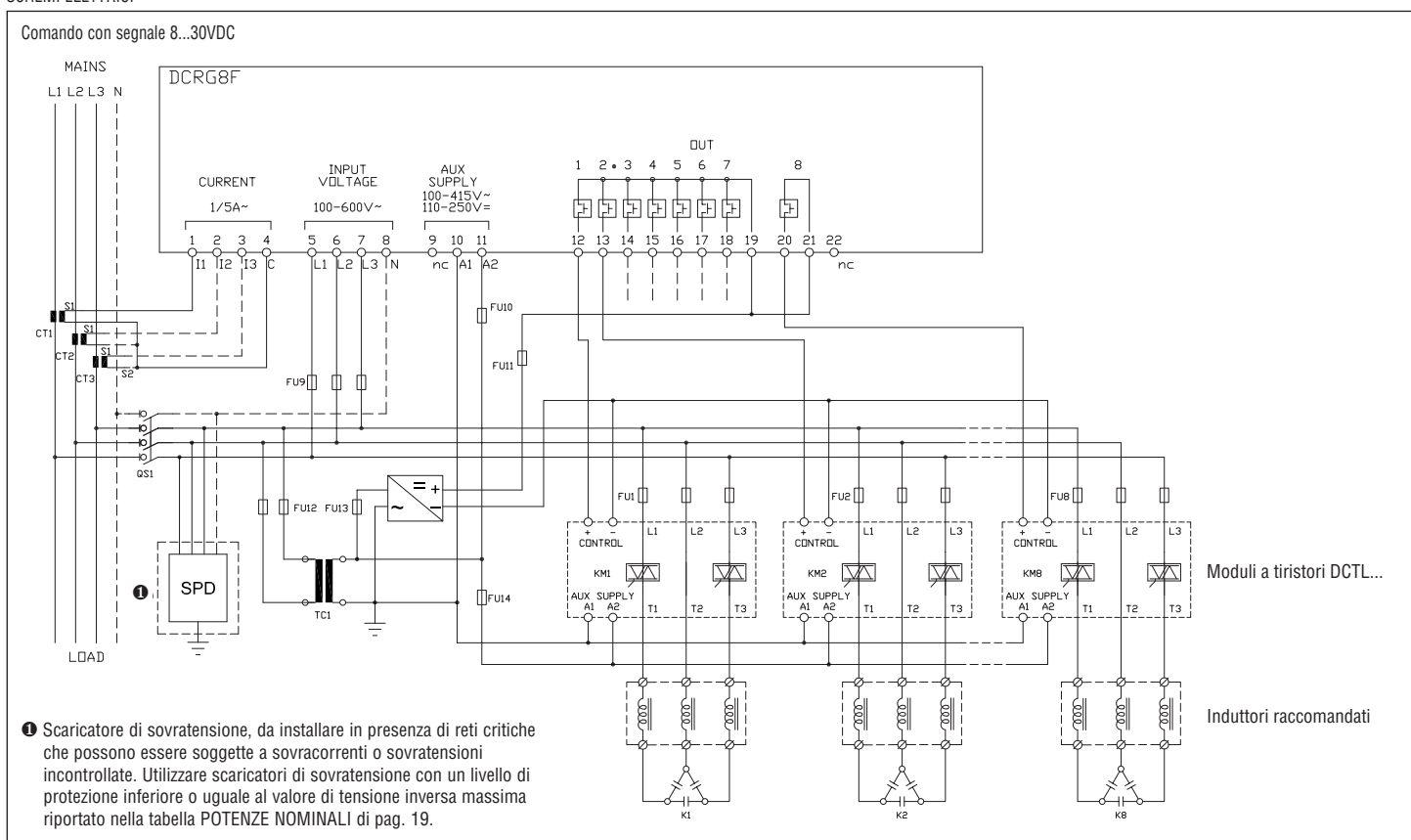
INSTALLAZIONE



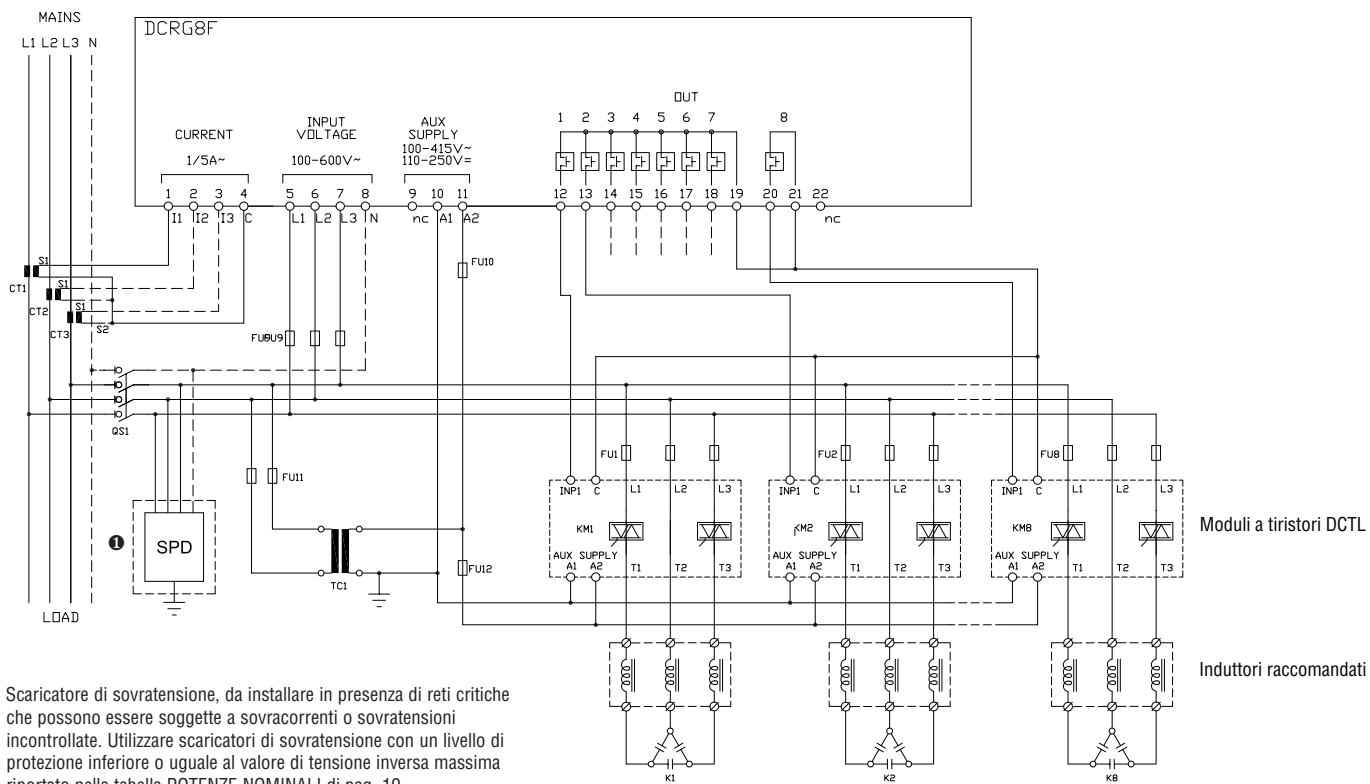
RACCOMANDAZIONI

- Interrompere l'alimentazione dei moduli a tiristori ogni qualvolta si necessiti di intervenire sulla parte elettrica e/o meccanica della macchina o impianto.
- Prevedere sempre un dispositivo d'interruzione (sezionatore, teleruttore di linea ecc.) dell'alimentazione di potenza.
- Non installare il modulo a tiristori in ambienti contenenti esplosivi o gas infiammabili.
- Non collocare il modulo a tiristori vicino a fonti di calore.
- Non utilizzare cassette isolanti in quanto cattive conduttrici di calore.
- Una protezione adeguata degli SCR contro il corto circuito può essere effettuata solo mediante il montaggio di fusibili extrarapidi.
- In presenza di reti che potrebbero essere soggette al rischio di picchi di corrente o sovratensioni incontrollate, prevedere adeguate misure per la protezione dei tiristori (es. installazione di scaricatori di sovratensione). Utilizzare scaricatori di sovratensione con un livello di protezione inferiore o uguale al valore di tensione inversa massima riportato nella tabella "Potenze nominali" di pag. 19.
- Data la presenza di una tensione DC costante nei condensatori disconnessi uguale al picco della tensione di rete, i dispositivi di scarica devono essere dimensionati correttamente. In pratica, questo significa che dei resistori di scarica normali non possono essere utilizzati perché la tensione DC costante li distruggerebbe. In tali circostanze, si raccomanda di utilizzare dei resistori di scarica adatti per il collegamento permanente a tensioni DC e in grado di supportare il picco di tensione di rete quando i condensatori vengono scollegati. I resistori devono essere dimensionati in modo che i condensatori si scarichino nel tempo richiesto dopo aver scollegato gli stessi dalla rete elettrica.
- I moduli a tiristori possono essere utilizzati per commutare condensatori in sistemi trifase, in batterie di condensatori con oppure senza induttanze di filtro.
- È importante tenere in considerazione che con i condensatori senza induttanze di filtro i moduli possono essere distrutti dai transitori di corrente dovuti alle variazioni rapide di tensione. Anche nei condensatori con induttanze di filtro è indispensabile controllare che la corrente non superi il valore massimo di corrente di ciascun modulo.
- I moduli commutano senza generare una corrente di spunto e un'alta percentuale di commutazioni dinamiche è garantita dall'unità di comando. L'utilizzo dei moduli è indispensabile per il rifasamento dinamico.
- I moduli a tiristori non separano elettricamente i circuiti. Dispositivi adatti sono necessari per la separazione elettrica dalla parte di potenza. Le linee devono essere protette secondo le normative vigenti.
- La tensione dei tiristori può raggiungere il 200% di quella di rete a causa della carica del condensatore, in modo particolare quando vengono utilizzati condensatori con induttanze di filtro; le tensioni transitorie causano elevati livelli di corrente. Inoltre, i cortocircuiti nella rete di distribuzione sono alimentati dalle correnti di scarica dei condensatori e queste correnti possono danneggiare seriamente i moduli a tiristori. Pertanto si raccomanda di proteggere i moduli con fusibili per evitare tali condizioni critiche. Una combinazione di fusibili di classe gL per la linea e di classe gR per i moduli deve essere installata per la protezione. L'uso di fusibili di classe gRL è ammissibile.

SCHEMI ELETTRICI

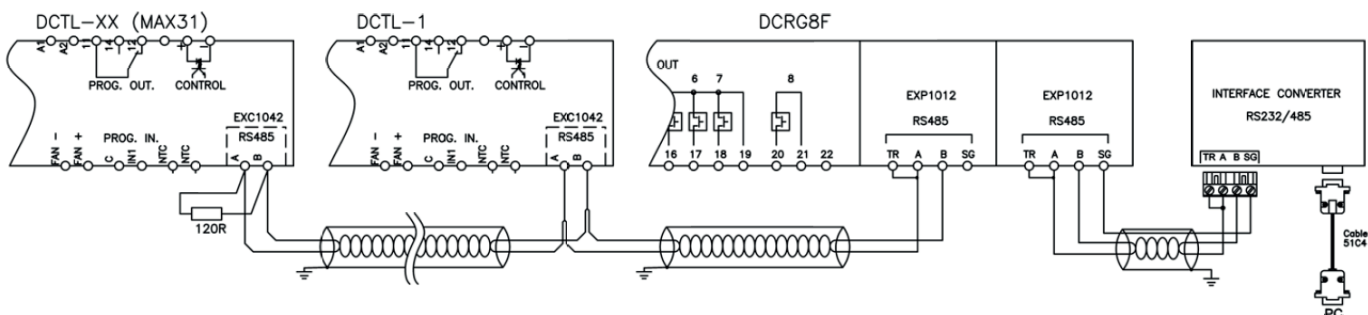


Comando con contatto pulito



- ❶ Scaricatore di sovratensione, da installare in presenza di reti critiche che possono essere soggette a sovracorrenti o sovratensioni incontrollate. Utilizzare scaricatori di sovratensione con un livello di protezione inferiore o uguale al valore di tensione inversa massima riportato nella tabella POTENZE NOMINALI di pag. 19.

Comando via comunicazione seriale RS485 da regolatore automatico DCRG8F

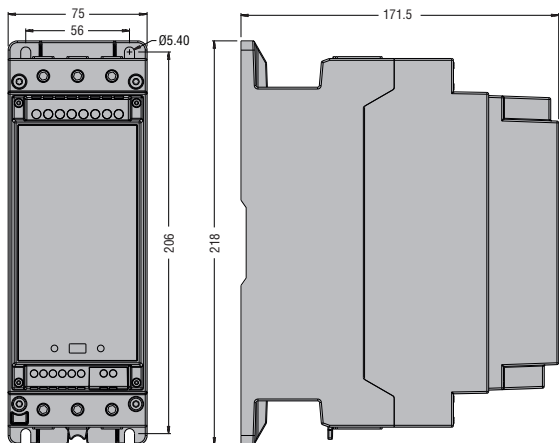


REQUISITI

- Il regolatore DCRG8F deve essere equipaggiato con il modulo di comunicazione RS485 opzionale codice EXP1012.
- Ogni modulo a tiristori DCTL deve essere equipaggiato con la scheda di comunicazione RS485 opzionale codice EXC1042.
- Con questa configurazione è possibile monitorare dal display del regolatore DCRG8F lo stato e misure di ogni modulo a tiristori DCTL.
- Per informazioni relative alla programmazione fare riferimento al manuale tecnico del regolatore DCRG8F (istruzione I564), scaricabile dal sito web www.LovatoElectric.com.
- Nota. Il modulo EXP1012 montato sul regolatore DCRG8F è dedicato al comando dei moduli a tiristori DCTL. Se necessario connettere il regolatore DCRG8F ad un sistema di supervisione (es. un PC) è necessario aggiungere un secondo modulo di comunicazione, a scelta tra le espansioni compatibili con DCRG8F (nello schema sopra è riportato a titolo di esempio un altro modulo RS485 codice EXP1012).

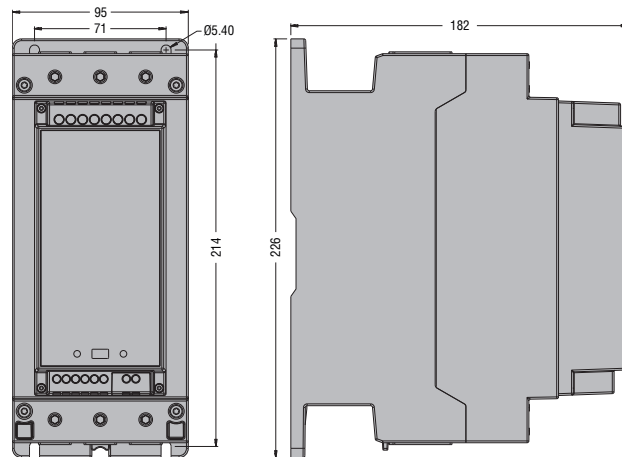
TAGLIA 1:

DCTLA4000075 - DCTLA4000150 - DCTLA4000300
 DCTLA4800090 - DCTLA4800180 - DCTLA4800360



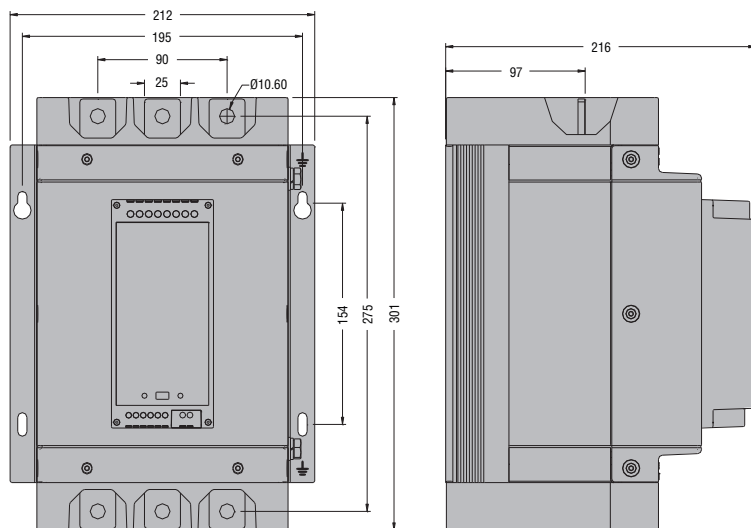
TAGLIA 2:

DCTLA4000500 - DCTLA4800600 - DCTLA6900300 - DCTLA6900500

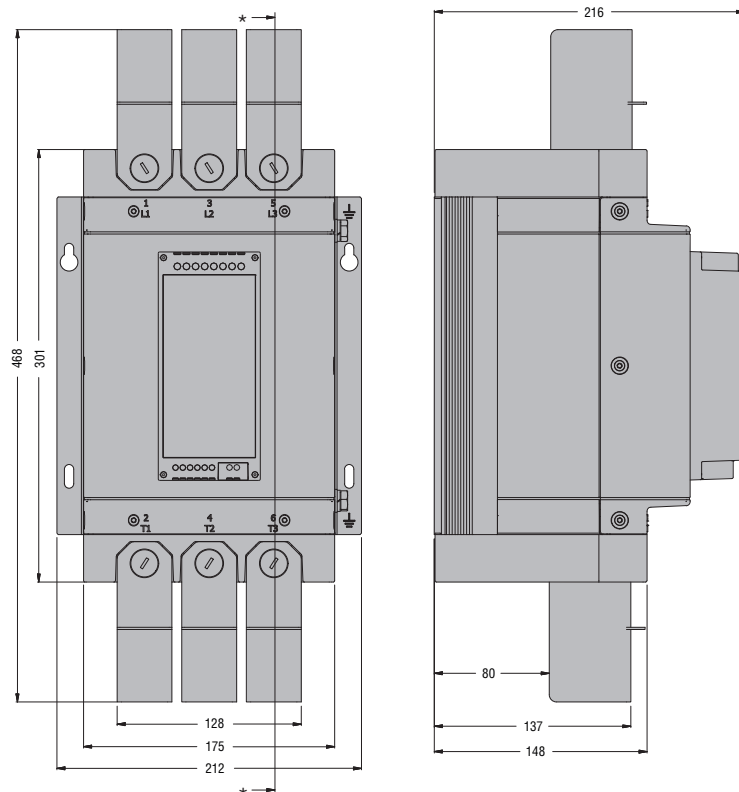


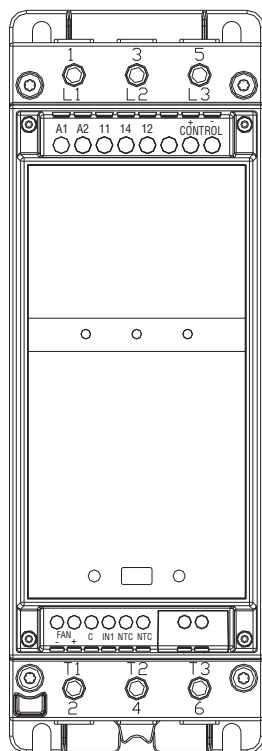
TAGLIA 3:

DCTLA4001000 - DCTLA4801200 - DCTLA6901000



DCTLA4001000 - DCTLA4801200 - DCTLA6901000 completi con kit terminali per omologazione cULus EXA01 (2pz) e kit protezione terminali EXA02 (2pz).





POTENZE NOMINALI

Codice	DCTLA 400 0075	DCTLA 400 0150	DCTLA 400 0300	DCTLA 400 0500	DCTLA 400 1000	DCTLA 480 0090	DCTLA 480 0180	DCTLA 480 0360	DCTLA 480 0600	DCTLA 480 1200	DCTLA 690 0300	DCTLA 690 0500	DCTLA 690 1000
Tensione nominale di impiego Us	400VAC 50/60Hz					400...480VAC 50/60Hz					600...690VAC 50/60Hz		
Corrente nominale Ie	11A	22A	43A	72A	144A	11A	22A	43A	72A	144A	29A	48A	96A
Potenza gradino													
400VAC	7.5kvar	15kvar	30kvar	50kvar	100kvar	7.5kvar	15kvar	30kvar	50kvar	100kvar	20kvar	33kvar	67kvar
440VAC	-	-	-	-	-	8kvar	16.5kvar	33kvar	55kvar	110kvar	22kvar	37kvar	73kvar
480VAC	-	-	-	-	-	9kvar	18kvar	36kvar	60kvar	120kvar	24kvar	40kvar	80kvar
525VAC	-	-	-	-	-	-	-	-	-	-	26kvar	44kvar	87kvar
600VAC	-	-	-	-	-	-	-	-	-	-	30kvar	50kvar	100kvar
690VAC	-	-	-	-	-	-	-	-	-	-	30kvar	50kvar	100kvar
Tensione inversa massima	1800VAC					2200VAC					3600VAC		

Nota. La tensione nominale di impiego delle tre versioni secondo gli standard IEC e cULus sono rispettivamente:

- DCTLA400: 400VAC per IEC e cULus
- DCTLA480: 400...480VAC per IEC e cULus
- DCTLA690: 600...690VAC per IEC, 600VAC per cULus

POTENZA DISSIPATA

Codice	Corrente nominale [A]	Potenza dissipata [W]
DCTLA4000075	11	22
DCTLA4000150	22	44
DCTLA4000300	43	86
DCTLA4000500	72	144
DCTLA4001000	144	288
DCTLA4800090	11	22
DCTLA4800180	22	44
DCTLA4800360	43	86
DCTLA4800600	72	144
DCTLA4801200	144	288
DCTLA6900300	29	58
DCTLA6900500	48	96
DCTLA6901000	96	192

FUSIBILI RACCOMANDATI

Un	Codice	Coordinamento tipo 2 Fusibile tipo aR [A]	Coordinamento tipo 1 Fusibile tipo gL [A]
400V	DCTLA4000075	20	16
	DCTLA4000150	40	32
	DCTLA4000300	80	63
	DCTLA4000500	125	100
	DCTLA4001000	250	200
400-480V	DCTLA4800090	20	16
	DCTLA4800180	40	32
	DCTLA4800360	80	63
	DCTLA4800600	125	100
	DCTLA4801200	250	200
600-690V	DCTLA6900300	50	40
	DCTLA6900500	80	63
	DCTLA6901000	160	125



CARATTERISTICHE TECNICHE

Alimentazione ausiliaria: terminali A1-A2

Tensione nominale Us	100 - 240VAC
Limiti di funzionamento	90 - 264VAC
Frequenza	45 - 66 Hz
Potenza assorbita/dissipata	Taglia 1 100-240VAC 4,6W 11,8VA Taglia 2 100-240VAC 5,8W 14,1VA Taglia 3 100-240VAC 5,8W 14,1VA

Tensione di alimentazione del banco di condensatori: terminali L1-L2-L3

Tensione nominale Us	400VAC per DCTLA400... 400...480VAC per DCTLA480... 600...690VAC per DCTLA690...
Limiti di funzionamento	340...440VAC per DCTLA400... 340...528VAC per DCTLA480... 340...759VAC per DCTLA690...
Frequenza	45-65Hz
Corrente e potenza nominali	(vedere tabella POTENZE NOMINALI)

Ingresso di controllo: terminali CONTROL +/-

Tensione nominale Us	12-24VDC
Limiti di funzionamento	8...30VDC

Ingresso digitale: terminali C-IN1

Tipo d'ingresso	Negativo
Tensione applicata al contatto	5VDC (fornita dal DCTL)
Corrente d'ingresso	≤10mA
Segnale d'ingresso basso	≤0,8V
Segnale d'ingresso alto	≥3,2V
Ritardo del segnale d'ingresso	≥50ms

Ingresso sonda NTC: terminali NTC-NTC

Tipo di sensore	NTC (codice LOVATO Electric NTC01)
Range di misura	-25...+85°C
Lunghezza massima della connessione	3mt

Alimentazione ventole: terminali FAN + / -

Tensione di alimentazione	5VDC (fornita dal DCTL) Non applicare alcuna tensione ai morsetti FAN +/- !
Tipo di ventola	Le ventole sono integrate di serie (una sulla taglia meccanica 1 e due sulle taglie meccaniche 2 e 3). In caso di sostituzione utilizzare esclusivamente l'accessorio EXP8004

Uscita digitale OUT1: terminali 11-12-14

Tipo di contatto	1 relé con contatto in scambio NA/NC
Tensione d'impiego	250VAC
Portata nominale	Contatto NA AC1 5A-250VAC 5A 30VDC Contatto NC AC1 3A-250VAC 3A 30VDC
Dati d'impiego UL	D300
Massima tensione d'impiego	250V~
Durata elettrica	Contatto NC - 10x10 ³ operazioni Contatto NA - 20x10 ³ operazioni
Durata meccanica	10 ⁷ operazioni

Tensione di isolamento

Tensione nominale d'isolamento Ui	480VAC per DCTLA400... e DCTLA480... 690VAC per DCTLA690...
Tensione nominale di tenuta a impulso Uimp	4kV per DCTLA400... per DCTLA480... 6kV per DCTLA690...

Condizioni ambientali di funzionamento

Temperatura d'impiego	-20...+45°C senza declassamento
Temperatura di stoccaggio	-30... +80°C
Umidità relativa	<80% (IEC/EN/BS 60068-2-78)
Inquinamento ambiente	2
Categoria di sovratensione	III
Altitudine massima	2000m senza declassamento
Sequenza climatica	Z/ABDM (IEC/EN/BS 60068-2-61)
Resistenza agli urti	15g (IEC/EN/BS 60068-2-27)
Resistenza alle vibrazioni	0,7g (IEC/EN/BS 60068-2-6)

Connessioni alimentazione - relè

Tipo di morsetti	A vite (fissi)
Sezione conduttori (min e max)	0,2...4mm ² (26...10AWG)
Coppia di serraggio	0,8Nm (7 lb.in)
Tipo di conduttore	Usare solo conduttori in rame, 75°C

Connessioni - ventole e ingressi digitali

Terminal types	A vite (fissi)
Sezione conduttori (min e max)	0,2 - 2,5mm ² (24 - 12AWG)
Coppia di serraggio	0,44Nm (4 lb.in)
Tipo di conduttore	Usare solo conduttori in rame, 75°C

Connessioni potenza per DCTL taglia 1-2

Tipo di morsetti	Fissi - incastellati doppi
Sezione conduttori (min e max)	2 x 2,5-35mm ² 2 x 18-2AWG
Impronta	Brugola incassata 4mm
Coppia di serraggio per DCTLA4000075... DCTLA4000300, DCTLA4800090... DCTLA4800360	4-5Nm / 2,95-3,69lb.ft

Coppia di serraggio per DCTLA4000500, DCTLA4800600, DCTLA6900300, DCTLA6900500	5,5-6,5Nm / 4,06-4,79lb.ft
--	----------------------------

Tipo di conduttore	Usare solo conduttori in rame, 75°C
--------------------	-------------------------------------

Connessioni potenza per DCTL taglia 3

Tipo di barre	25x5mm, foro diam. 11mm
Tipo di conduttore	Usare solo conduttori in rame, 75°C
Sezione conduttori	Max. 50mm ² 1xAWG3/0 (per conformità cULus installare n°2 kit morsetti cod. EXA01 + n°2 kit protezioni terminali cod. EXA02)

Impronta	Bussola ch17
----------	--------------

Coppia di serraggio per DCTLA400 1000, DCTLA480 1200, DCTLA690 1000	35Nm / 310 in-lbs
---	-------------------

Coppia di serraggio per morsetti EXA01	42Nm / 375 in-lbs
--	-------------------

Contenitore

Esecuzione	Interno quadro
Materiale	Policarbonato RAL 7035
Grado di protezione	IP00
Montaggio	A vite o su guida DIN (IEC/EN/BS 60715) mediante accessorio EXP8003 opzionale (solo per taglie meccaniche 1 e 2)

Peso	
DCTLA4000075, DCTLA4000150, DCTLA4000300, DCTLA4800090, DCTLA4800180, DCTLA4800360	1,74kg
DCTLA4000500, DCTLA4800600, DCTLA6900300, DCTLA6900500	2,84kg
DCTLA4001000, DCTLA4801200, DCTLA6901000	6,68kg

Omologazioni e conformità

Omologazioni ottenute	cULus
Conformità a norme	IEC/EN/BS 60947-4-3, IEC/EN/BS 61000-6-2, IEC/EN/BS 61000-6-4