

# COMPACT SINGLE PHASE POWER SUPPLIES



 **Lovato**  
**electric**

ENERGY AND AUTOMATION

# COMPACT SINGLE PHASE POWER SUPPLIES

## Compact DIN rail mount version



Order code	Rated output voltage [VDC]	Rated output current [A]	Output power [W]	Q.ty per pkg n°	Wt [kg]
Single phase power supply 100...240VAC.					
<b>PSE103024</b>	24VDC	1.25	30	1	0.140
<b>PSE105024</b>		2.1	50	1	0.200
<b>PSE107224</b>		3	72	1	0.250
<b>PSE110024</b>		4.2	100	1	0.350
<b>PSE112024</b>		5	120	1	0.610

### General characteristics

The PSE1... single phase power supplies have compact dimensions and are DIN rail mountable. They are used to supply electromechanical and electronic devices with DC control, such as contactors, time relays, sensors, PLCs, DC motors, displays, SSRs and other equipment normally found in automation systems.

### Protections:

- Short circuit
- Overload
- Input voltage peaks.

### Indications:

- LED indicator for power on.

### Operational characteristics

- Rated supply voltage: 100...240VAC
- Rated output voltage: 24VDC
- Mains frequency: 50/60Hz
- Output voltage adjustment by front potentiometer
- High efficiency up to 89%
- 35mm DIN rail (IEC/EN/BS 60715) mounting
- Screw connection terminals
- IEC degree of protection: IP20 on terminals.

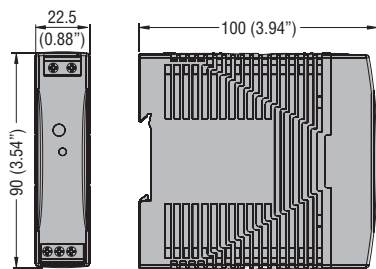
### Certifications and Compliance

Certifications obtained: cULus (pending for PSE112024), EAC, RCM.

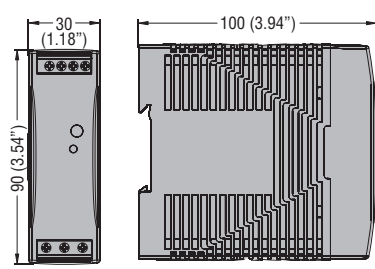
Compliant with standards: IEC/EN/BS 62368-1, IEC/EN/BS 61000-6-2, IEC/EN/BS 61000-6-3, UL508, CSA C22.2 No. 107.1.

## Dimensions [mm (in)]

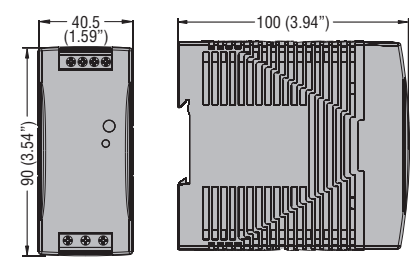
**PSE103024**



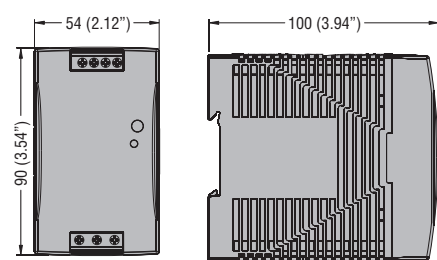
**PSE105024**



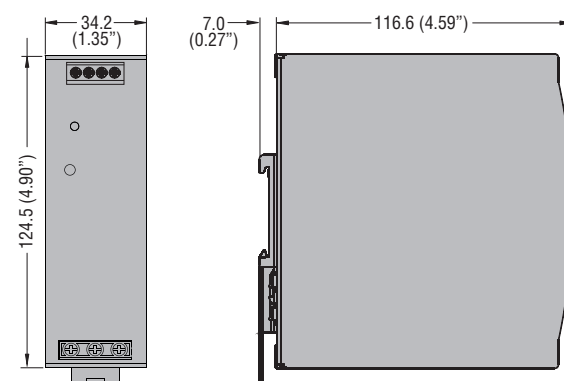
**PSE107224**



**PSE110024**



**PSE112024**

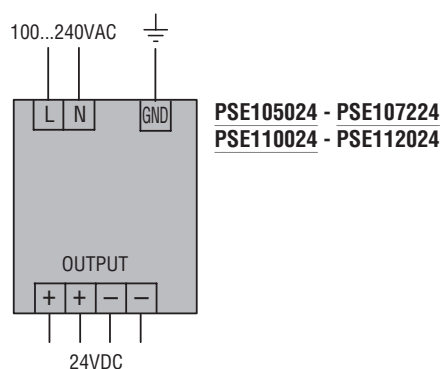
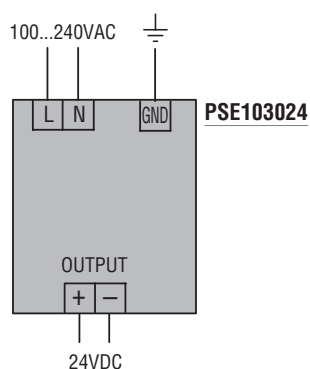


## Technical characteristics

	PSE103024	PSE105024	PSE107224	PSE110024	PSE112024
<b>INPUT CHARACTERISTICS</b>					
Rated supply voltage	Single phase, multivoltage 100...240VAC				
Operating range	85...264VAC / 120...375VDC				
Current consumption (max)	0.75A	1.3A	1.7A	2.3A	2.9A
Frequency range	50/60Hz (47...63Hz)				
Insulation voltage input/output	3000VAC (4242VDC)				
Internal fuse 250VAC <b>ⓘ</b>	T2A	T2A	T3,15A	T3,15A	T4A
<b>OUTPUT CHARACTERISTICS</b>					
Rated output voltage	24VDC				
Voltage trimming (potentiometer)	22.5...28.5VDC				
Rated output current	1.25A	2.1A	3A	4.2A	5A
Temperature coefficient	±0.03%/°C				
Line adjustment	±1%				
Load adjustment	±1%				
Efficiency	Up to 86%	Up to 87%	Up to 89%	Up to 88%	Up to 89%
Overload protection	140%				
Short-circuit protection	Hiccup				
Ripple & noise	100mV				
<b>INDICATIONS</b>					
LED indicator for power on	Yes				
<b>AMBIENT CONDITIONS</b>					
Operating temperature	-25...+71°C				
Derating of the output power	from +51°C (+46°C for PSE110024) to +71°C by 2.5%/°C				
Storage temperature	-40...+85°C				
<b>HOUSING</b>					
Material	Plastic				Metal
Mounting	35mm DIN rail (IEC/EN/BS 60715)				
Protection degree	IP20				

**ⓘ** Not replaceable by the user

## Wiring diagrams





ENERGY AND AUTOMATION

[www.LovatoElectric.com](http://www.LovatoElectric.com)

**LOVATO ELECTRIC S.P. A.**

via Don E. Mazza, 12  
24020 Gorle (Bergamo), ITALY

tel +39 035 4282111  
info@LovatoElectric.com



- **LOVATO ELECTRIC S.P.A.**  
ITALY  
[www.LovatoElectric.com](http://www.LovatoElectric.com)
- **LOVATO ELECTRIC LTD**  
UNITED KINGDOM  
[www.Lovato.co.uk](http://www.Lovato.co.uk)
- **LOVATO ELECTRIC CORPORATION**  
CANADA  
[www.Lovato.ca](http://www.Lovato.ca)
- **LOVATO ELECTRIC INC**  
UNITED STATES  
[www.LovatoUsa.com](http://www.LovatoUsa.com)
- **LOVATO ELECTRIC GmbH**  
GERMANY  
[www.LovatoElectric.de](http://www.LovatoElectric.de)
- **LOVATO ELECTRIC S.L.U**  
SPAIN  
[www.LovatoElectric.es](http://www.LovatoElectric.es)
- **LOVATO ELECTRIC. S.R.O.**  
CZECH REPUBLIC  
[www.LovatoElectric.cz](http://www.LovatoElectric.cz)
- **LOVATO ELECTRIC SP. Z O.O.**  
POLAND  
[www.LovatoElectric.pl](http://www.LovatoElectric.pl)
- **LOVATO ELEKTRIK LTD**  
TURKEY  
[www.LovatoElectric.com.tr](http://www.LovatoElectric.com.tr)
- **LOVATO ELECTRIC ME FZE**  
UNITED ARAB EMIRATES  
[www.LovatoElectric.ae](http://www.LovatoElectric.ae)
- **ООО Ловато Электрик**  
RUSSIA  
[www.LovatoElectric.ru](http://www.LovatoElectric.ru)
- **LOVATO ELECTRIC CO LTD**  
CHINA  
[www.LovatoElectric.cn](http://www.LovatoElectric.cn)
- **LOVATO ELECTRIC SRL**  
ROMANIA  
[www.LovatoElectric.ro](http://www.LovatoElectric.ro)
- **LOVATO ELECTRIC SAS**  
FRANCE  
[www.LovatoElectric.fr](http://www.LovatoElectric.fr)
- **LOVATO ELECTRIC AG**  
SWITZERLAND  
[www.LovatoElectric.ch](http://www.LovatoElectric.ch)