



LOVATO ELECTRIC S.P.A.

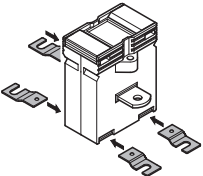
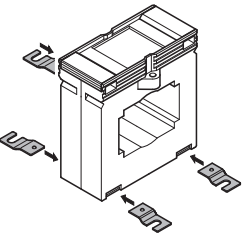
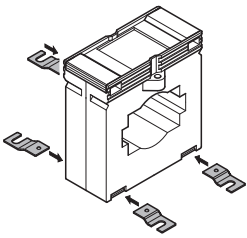
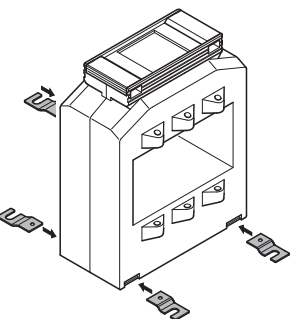
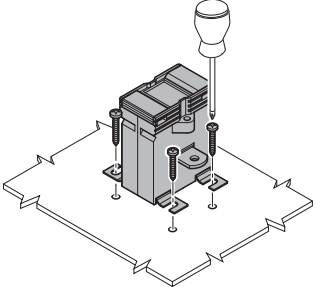
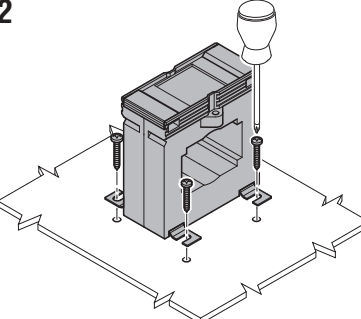
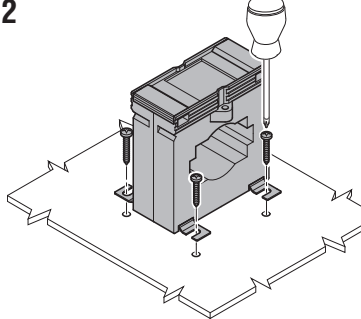
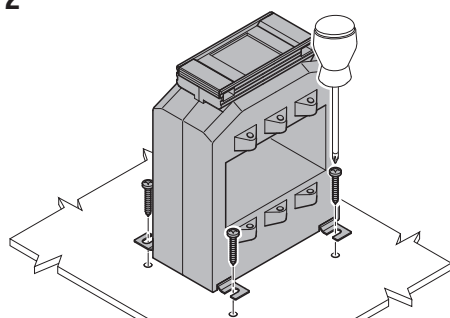
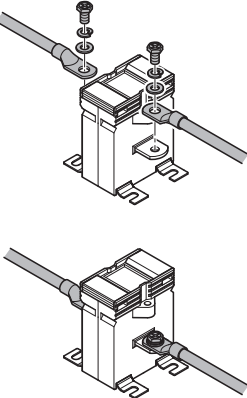
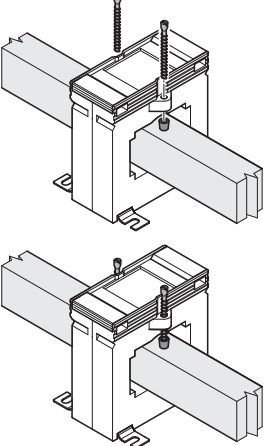
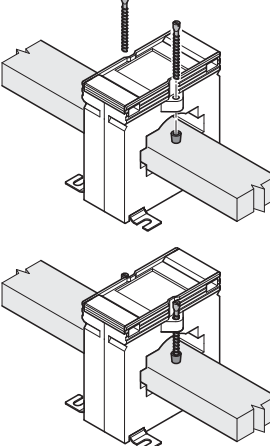
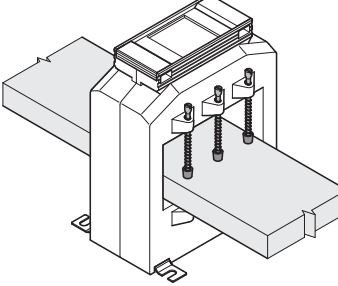
24020 GORLE (BERGAMO) ITALIA
VIA DON E. MAZZA, 12
TEL. 035 4282111
E-mail info@LovatoElectric.com
Web www.LovatoElectric.com



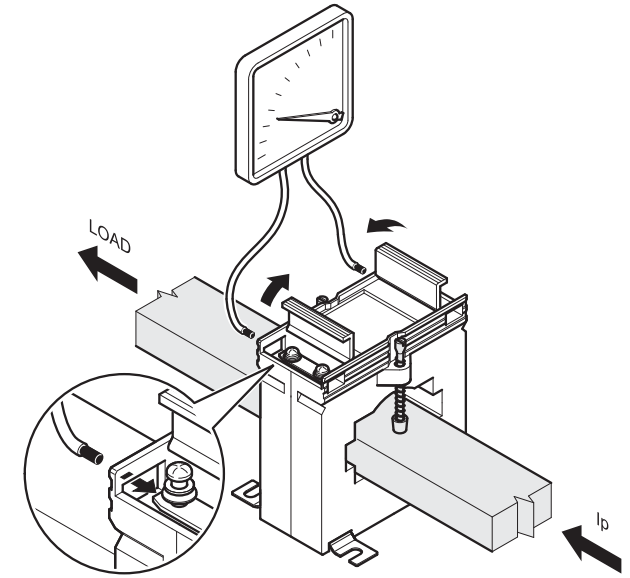
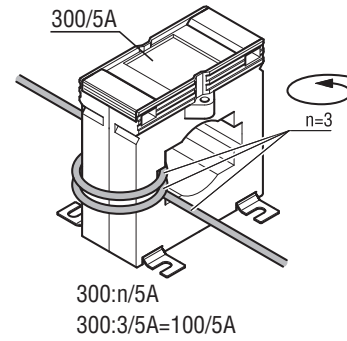
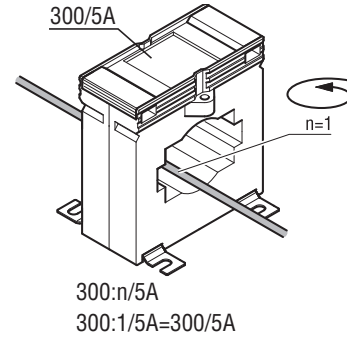
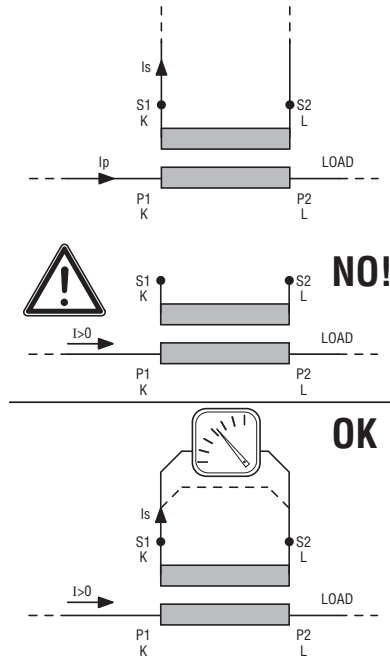
- ① TRASFORMATORI DI CORRENTE - TIPO A PRIMARIO AVVOLTO E A FORO PASSANTE
- ② CURRENT TRANSFORMERS - WOUND PRIMARY AND SOLID CORE TYPE
- ③ STROMWANDLER - WICKELSTROMWANDLER UND AUFSTECK-TYP
- ④ TRANSFORMATEURS D'INTENSITE - À PRIMAIRE BOBINÉ ET TYPE A PASSAGE
- ⑤ TRANSFORMADORES DE CORRIENTE - CON BOBINADO PRIMARIO Y TIPO PASANTE

DM0TW... - DM33T... - DM34T... - DM37T...

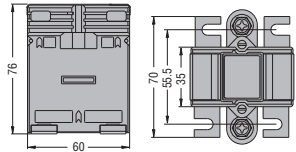
UK
CA CE

DM0TW...	DM33T...	DM34T...	DM37T...	
<p>1</p> 	<p>1</p> 	<p>1</p> 	<p>1</p> 	
<p>2</p> 	<p>2</p> 	<p>2</p> 	<p>2</p> 	
<p>3</p> 	<p>3</p> 	<p>3</p> 	<p>3</p> 	

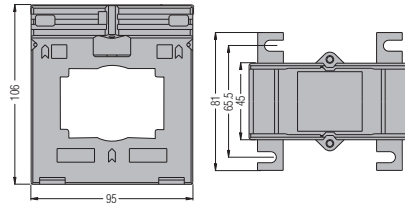
DM...T



DM0TW...

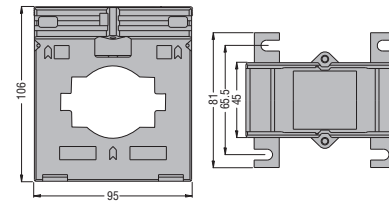


DM33T...



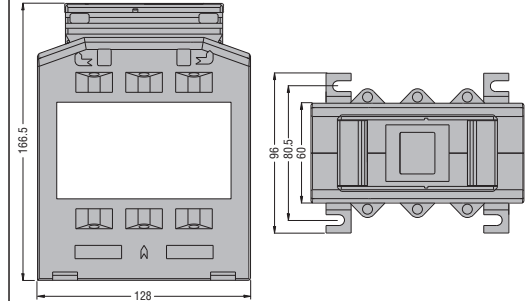
- = Ø44mm
- = 50x40mm
60x30mm

DM34T...



- = Ø44mm
- = 65x10mm
50x30mm

DM37T...



- = 100x55mm

	Ip/5	cl./kl. 0.5	cl./kl. 1
	[A]	[VA]	[VA]
DM0TW0005	5	3,75	3,75
DM0TW0010	10	3,75	3,75
DM0TW0020	20	3,75	3,75
DM0TW0030	30	3,75	3,75

	Ip/5	cl./kl. 0.5	cl./kl. 1
	[A]	[VA]	[VA]
DM33T0800	800	5	10
DM33T1000	1000	5	15
DM33T1200	1200	5	15

	Ip/5	cl./kl. 0.5	cl./kl. 1
	[A]	[VA]	[VA]
DM34T1500	1500	5	15
DM34T1600	1600	5	15

	Ip/5	cl./kl. 0.5	cl./kl. 1
	[A]	[VA]	[VA]
DM37T2000	2000	10	15
DM37T2250	2250	10	15
DM37T2500	2500	10	15
DM37T3000	3000	10	15

Per i codici DM33T..., DM34T... e DM37T è necessario fissare la barra centralmente rispetto al foro del trasformatore stesso.
For codes DM33T..., DM34T... and DM37T it is necessary to fix the busbar centrally with respect to the hole of the transformer itself.